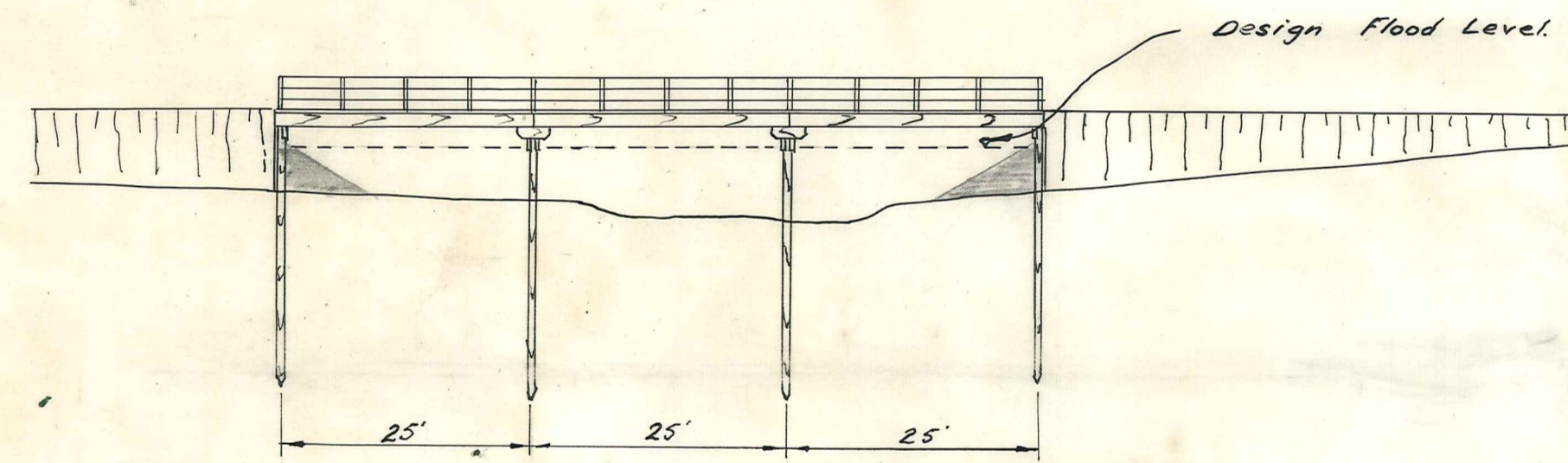


SITE PLAN
SCALE: 1CH = 1IN.

Distance	-3/00	-2/00	-1/00	0	0/25	0/50	1/00	3/40
Peg								
R.L. Existing G.	46.844.3	48.343.4	49.241.8	49.740.1	49.739.7	49.740.1	49.739.3	49.048.2
R.L. New Formation	46.844.3	48.343.4	49.241.8	49.740.1	49.739.7	49.740.1	49.739.3	49.048.2

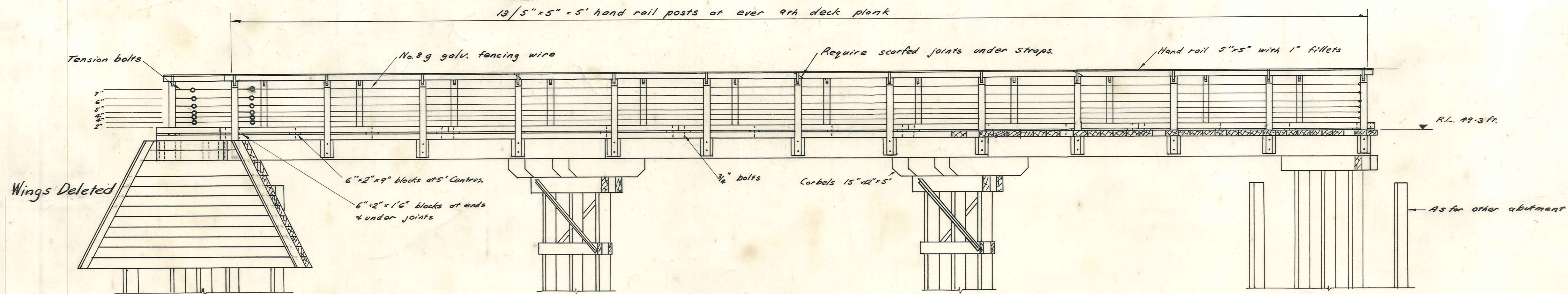
CROSS SECTION LEVELS
SCALE: HORIZ 1CH = 1IN.
VERT 10' = 1"



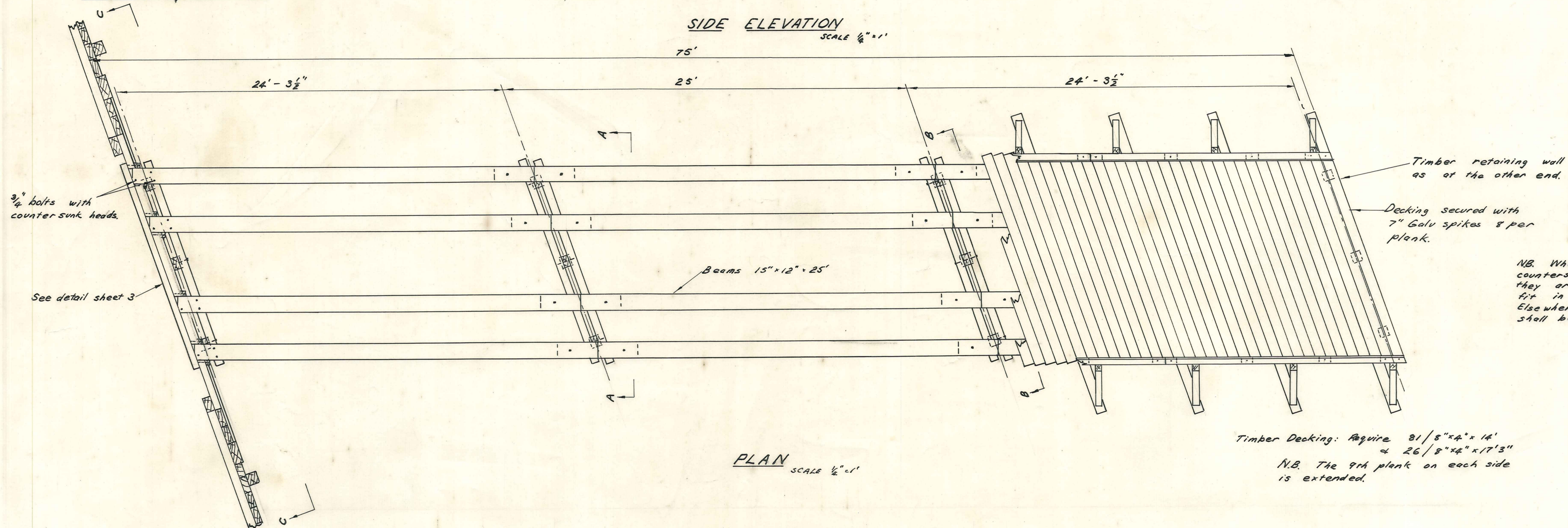
ELEVATION OF PROPOSED NEW BRIDGE
SCALE 1/2" = 1 FT

Distance	0	2.0	4.0	6.0	8.0	10.0	10.8	12.0	14.0	16.0	18.0	20.0
Peg Level	44.58	45.89	47.40	48.78	49.38	49.23	49.23	49.30	49.6	48.22	47.2	46.62
Stream Level	43.98	42.60	41.74	40.74	40.41	40.18	40.18	39.46	39.05	38.26	37.35	36.62
30' above Datum												

LONGITUDINAL SECTION OF STREAM
SCALE HORIZONTAL 1CH = 1IN.
VERTICAL 10 FT = 1IN

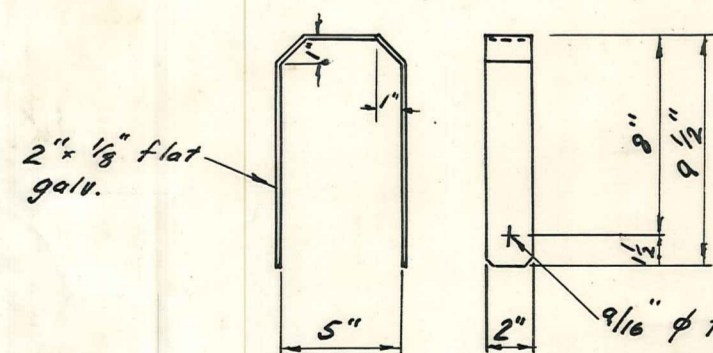


SIDE ELEVATION
SCALE 1/4" = 1'

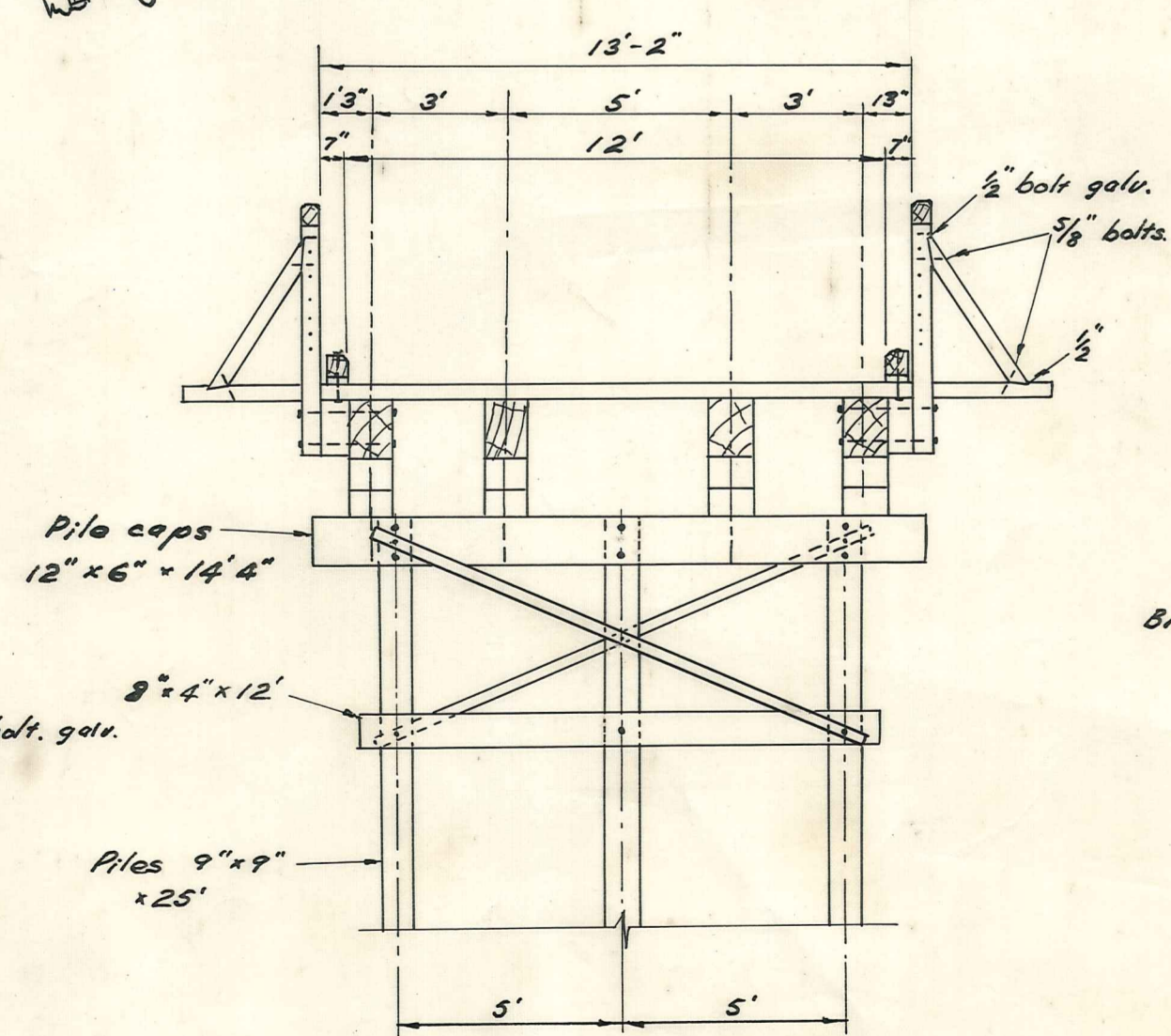


PLAN
SCALE 1/4" = 1'

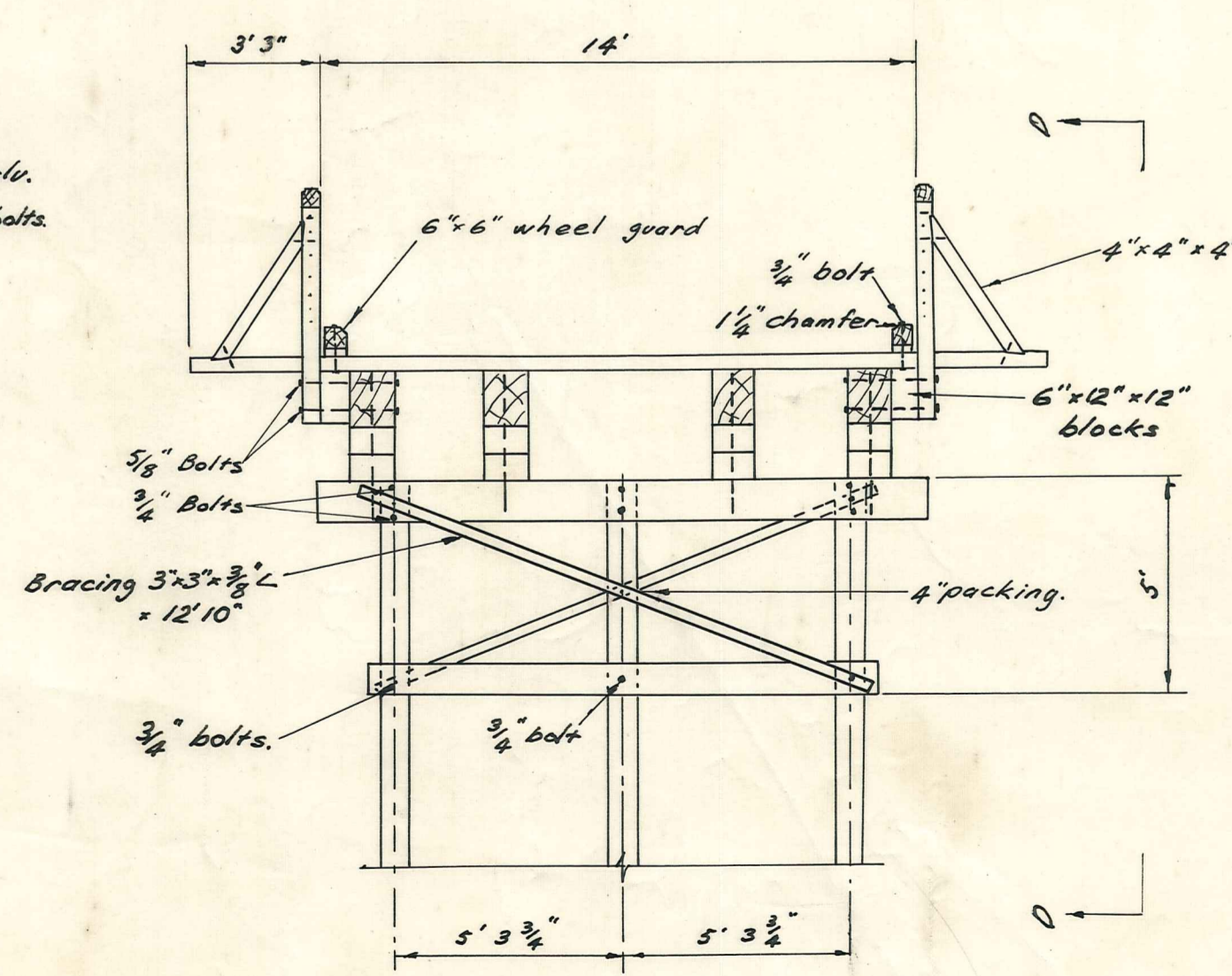
Timber Decking: Require 81/8"x4"x14'
or 26/8"x4"x17'3"
N.B. The 9th plank on each side is extended.



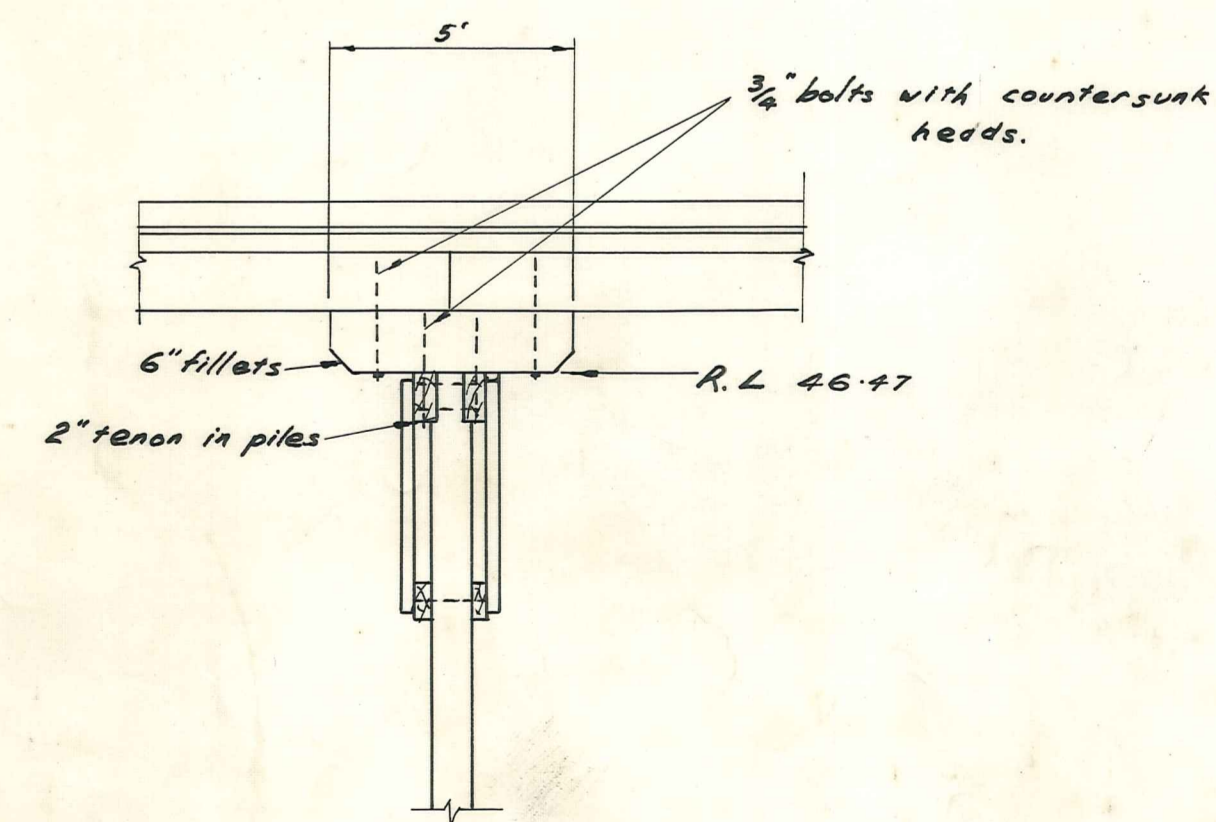
HAND RAIL STRAPS
SCALE 1" = 1'



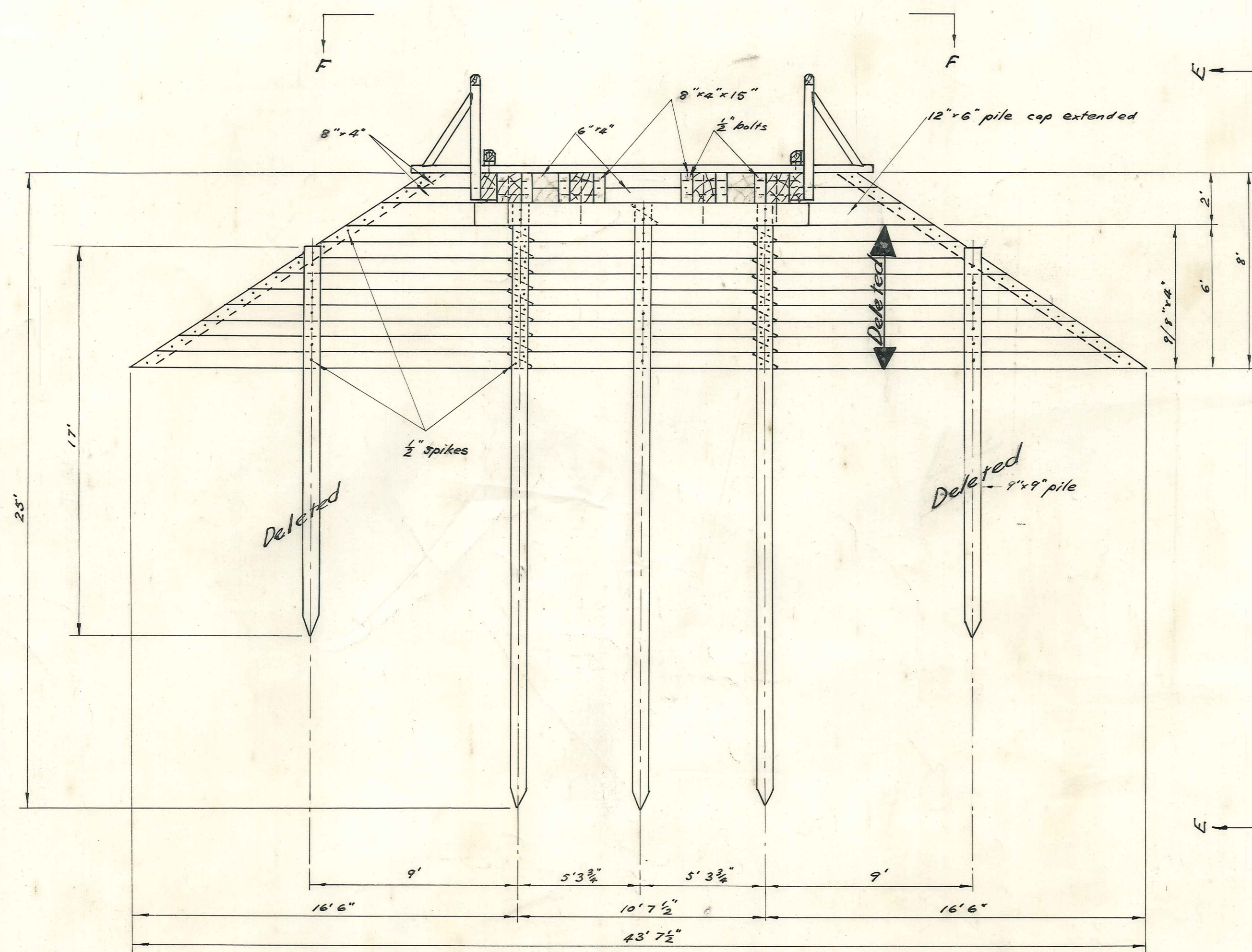
VIEW AA
SCALE 1/4" = 1'



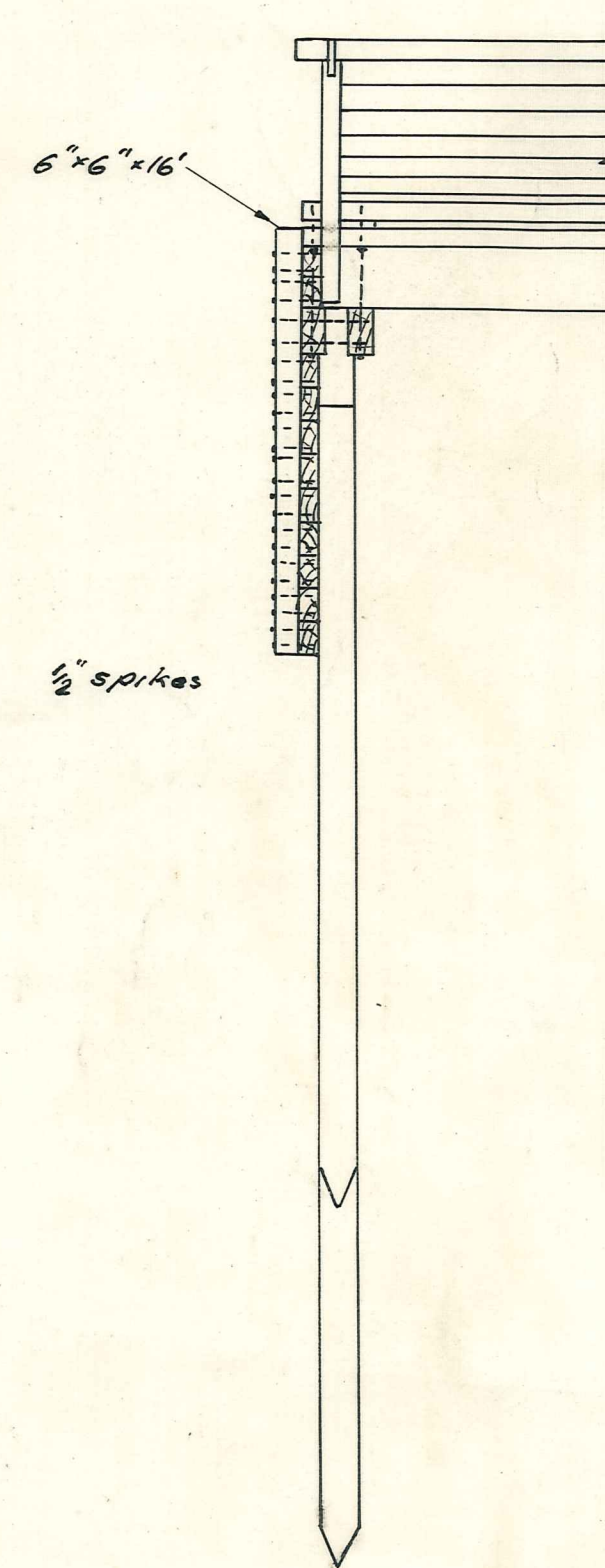
VIEW BB
SCALE 1/4" = 1'



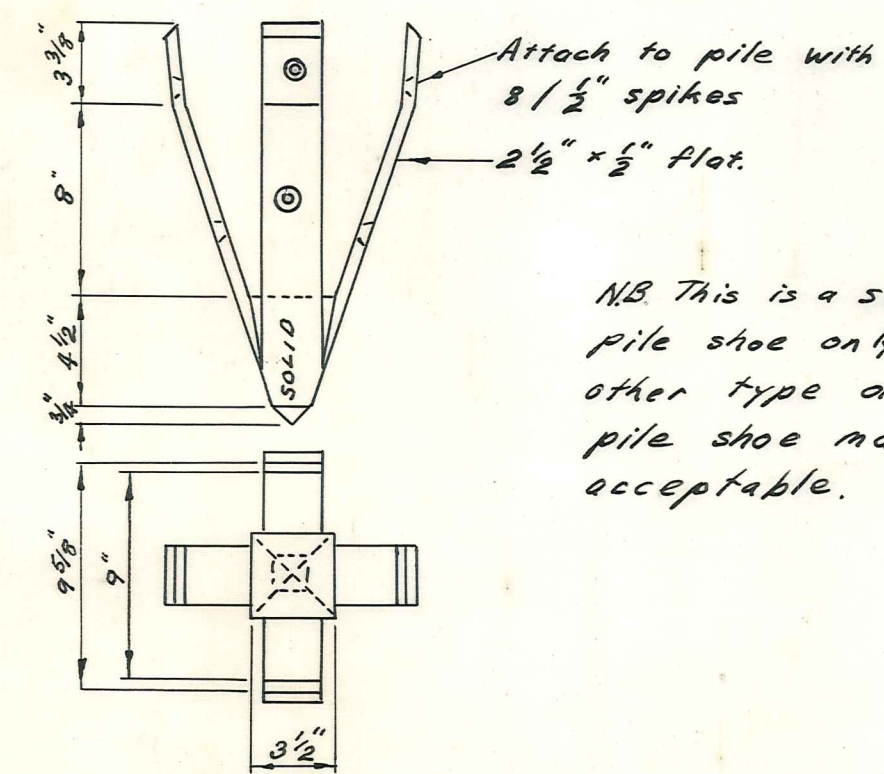
VIEW DD
SCALE 1/4" = 1'



VIEW CC
SCALE 1/2" = 1'

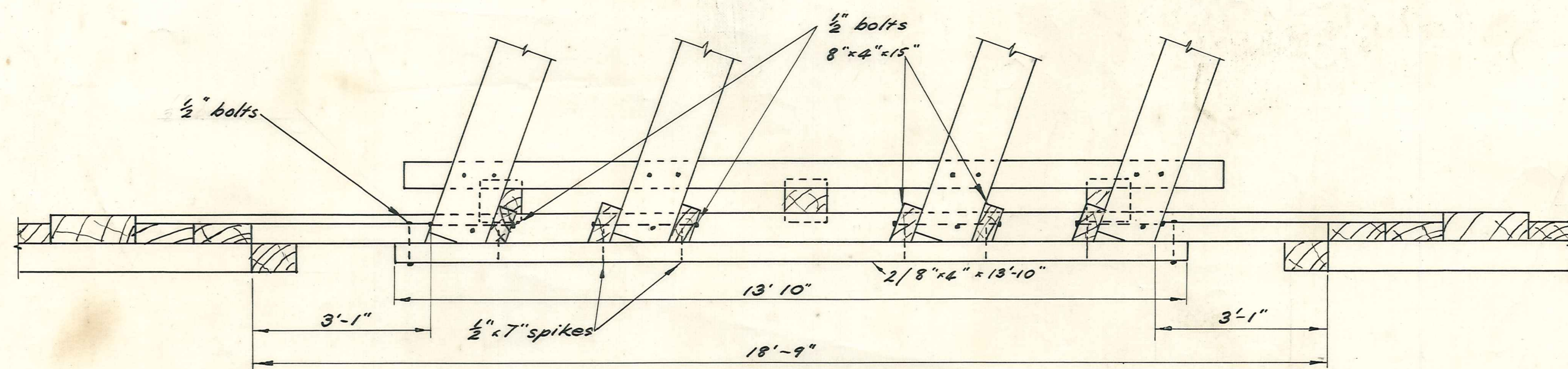


VIEW EE
SCALE 1/2" = 1'



30 lbs. PILE
SHOE
SCALE 1/2" = 1'

NB This is a suggested pile shoe only. Any other type of 30lb pile shoe may be acceptable.



VIEW FF
SCALE 1/2" = 1'
ABUTMENT DETAILS