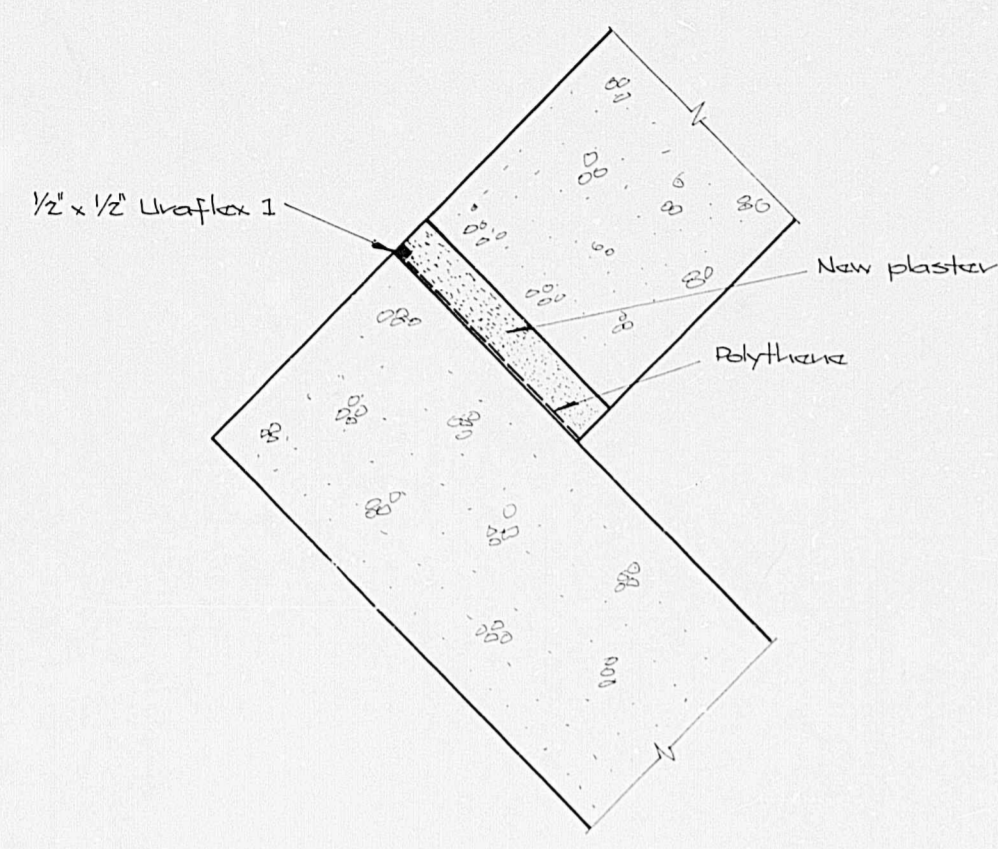
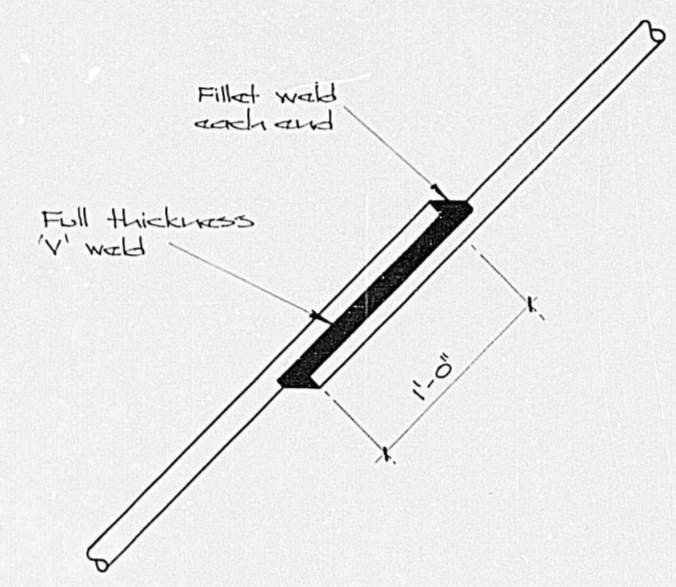


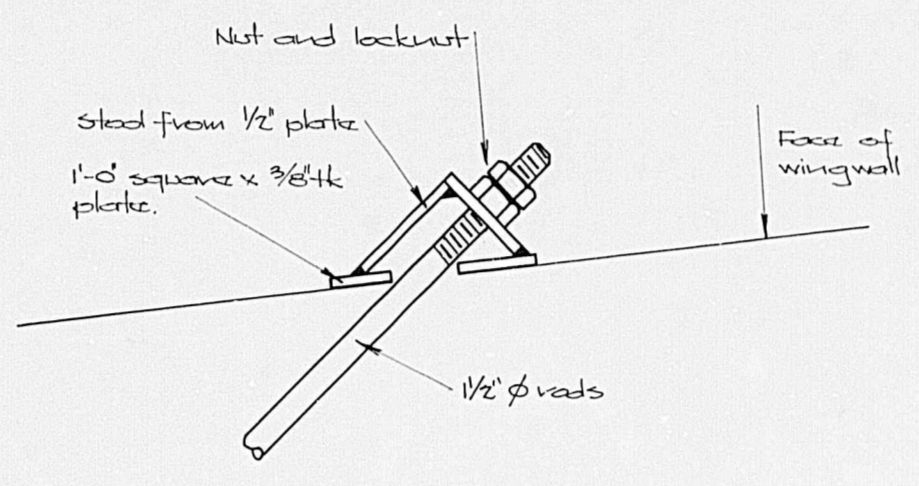
1 2 3 4 5 6 7 8 9 10 11 12



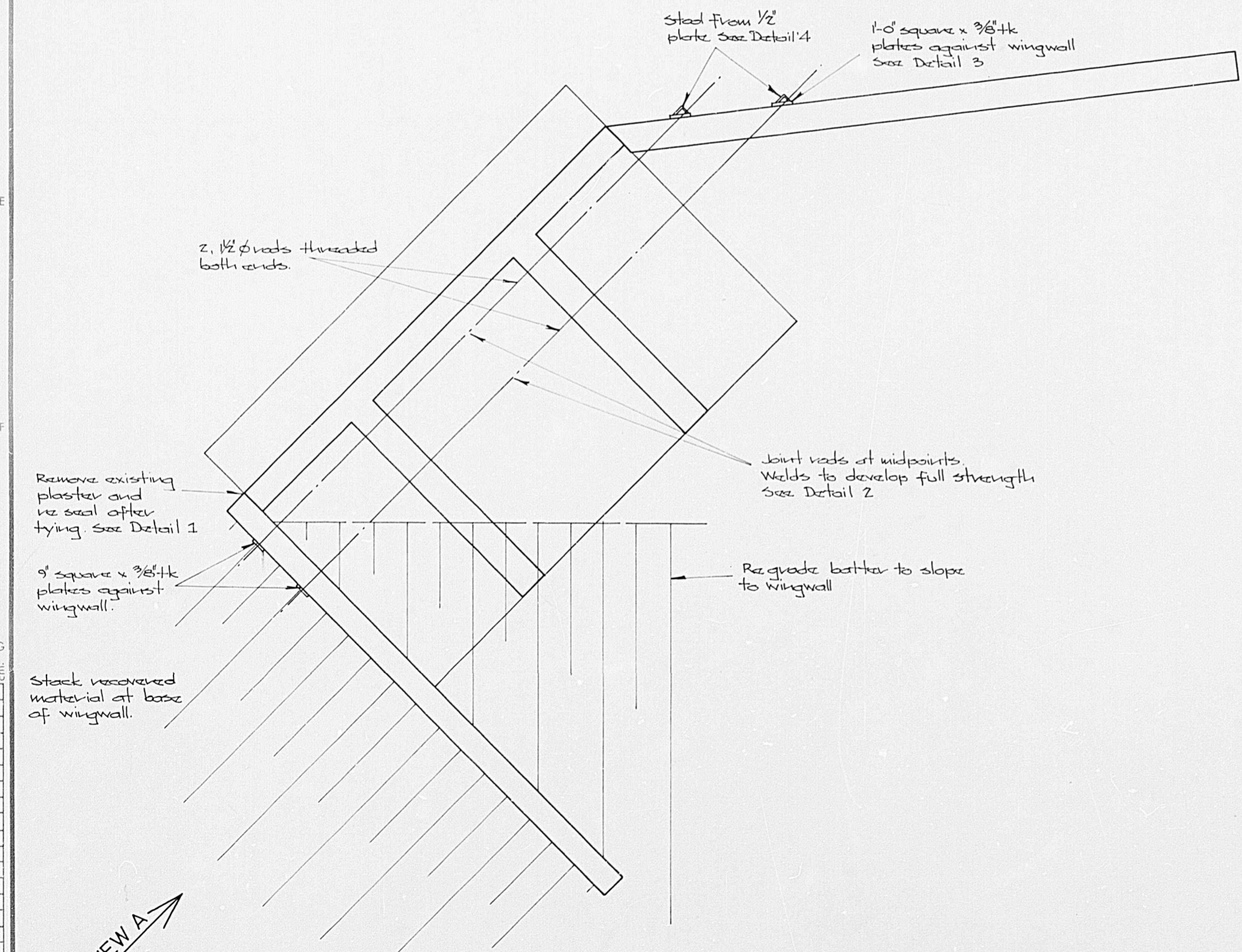
DETAIL 1



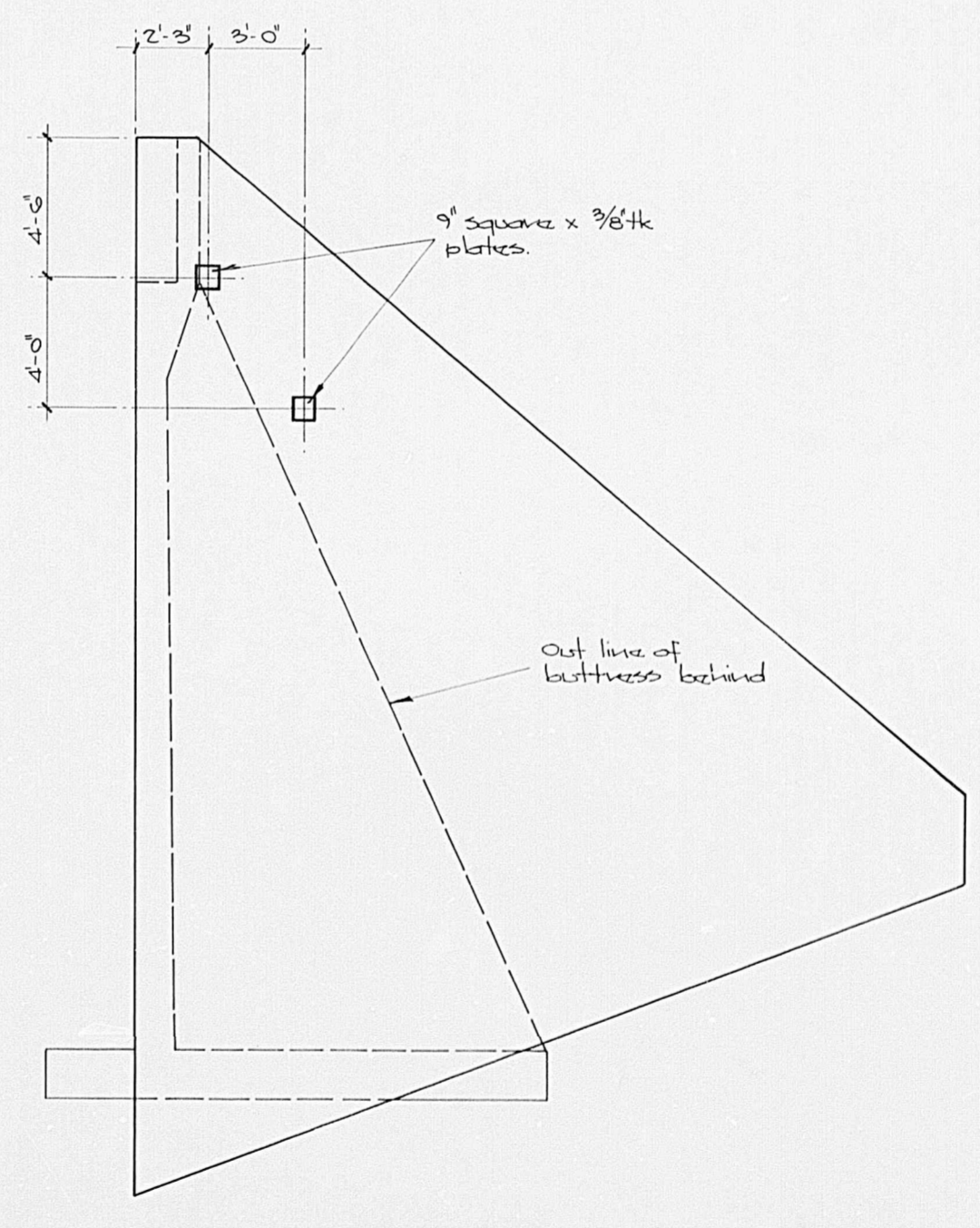
DETAIL 2



DETAIL 3



PLAN



VIEW A

| | | | |
|---|-------------------------|-----------------------------------|----------------------------|
| T. H. JENKINS & ASSOCIATES CHARTERED CONSULTING ENGINEERS 55-59 GALA STREET, INVERCARGILL P. O. Box 93 Telephone 82-429 | | CAVE CREEK BRIDGE | |
| TUAPEKA COUNTY COUNCIL | | REMEDIAL WORKS | |
| Designed <i>H.M.T.</i> Drawn <i>A.S.</i> | Checked Date Feb '76 | Scale <i>As shown</i> Approved | PROJECT NO. 5532 |

A1 2 3 4 5 6 7 8 9 10 11 12

A1
A2
A3
A4
A4
A3
A2
A1