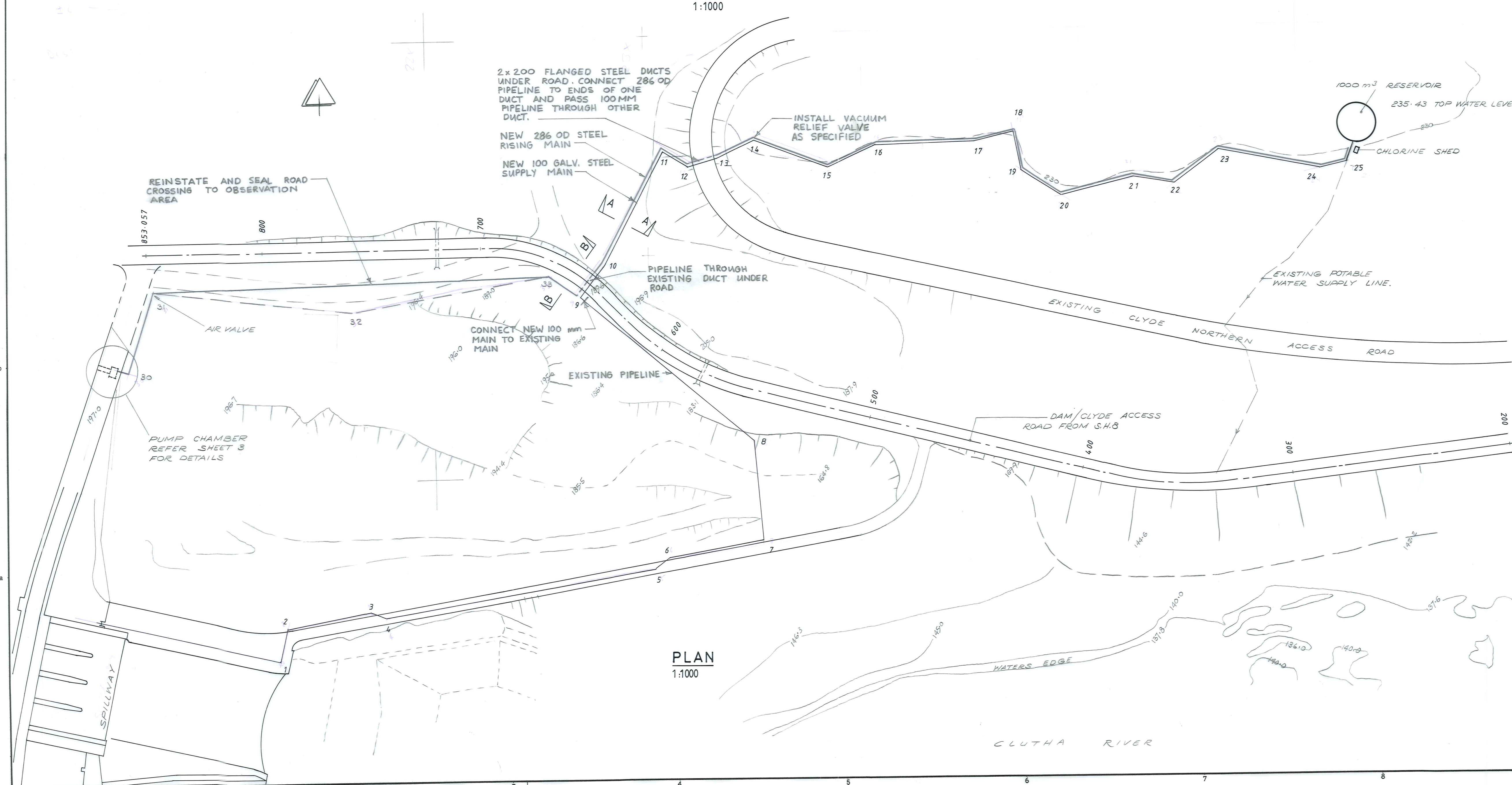


13363/11
 CLYDE WATER SUPPLY
 Re-Order Filmaster "D"
 Sellotape 1230 Double Side Tissue
 SELF-ADHESIVE PLAN HANGER
 Patent Number 13784

	1	2	3	4	5	6	7	8	9
APPROX GROUND LEVEL	197.85	197.65	197.00	190.5	189.6	189.6	230.0	230.0	230.0
INVERT LEVEL									
DISTANCE	0	40.0		220.0	234.0	250.80	311.08	324.29	336.66
							356.57	392.79	416.56
								462.57	480.03
								498.47	519.57
								555.47	571.59
								596.83	
								643.70	657.35

LONGITUDINAL SECTION
 1:1000



PLAN
 1:1000

No.	Revisions	Date	Appr'd

Designed	R. DUFF	Date		Print Date
Drawn	H. BROCKE			
Checked		11-3-92		
Approved		1992		
File	4043		L.B.	

DUFFILL WATTS & KING LTD
 Consulting Civil & Structural Engineers
 Dunedin Invercargill Alexandra Queenstown

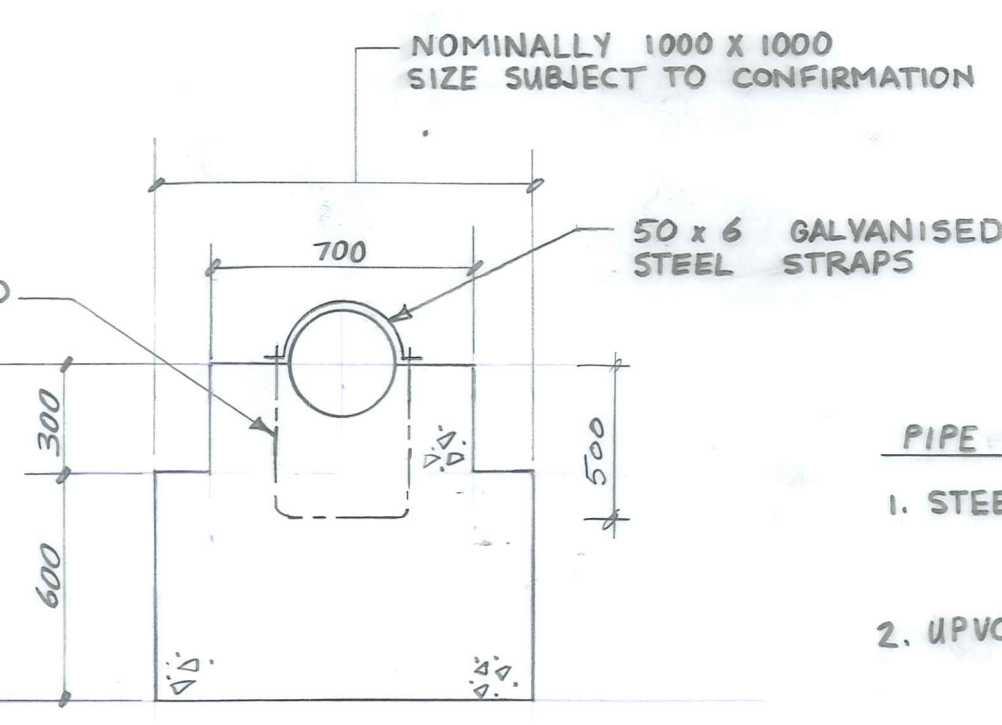
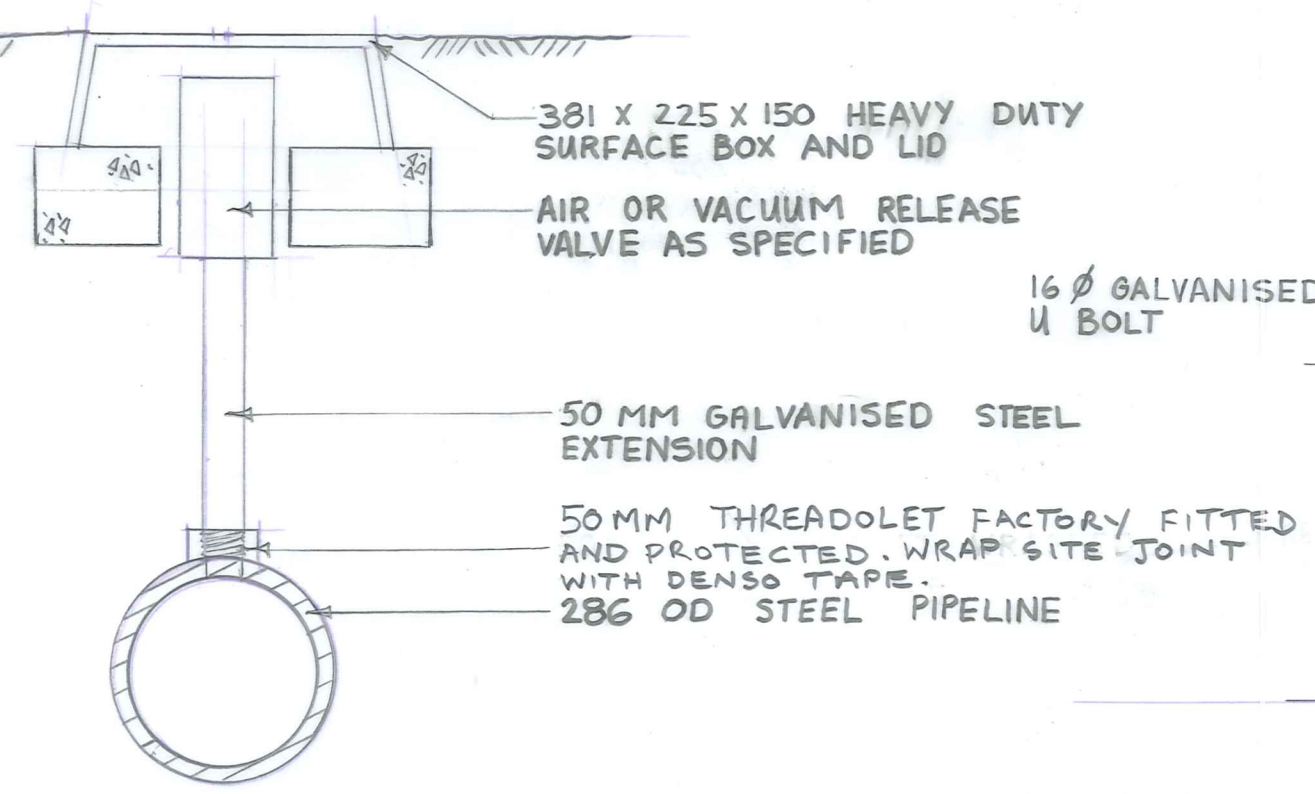
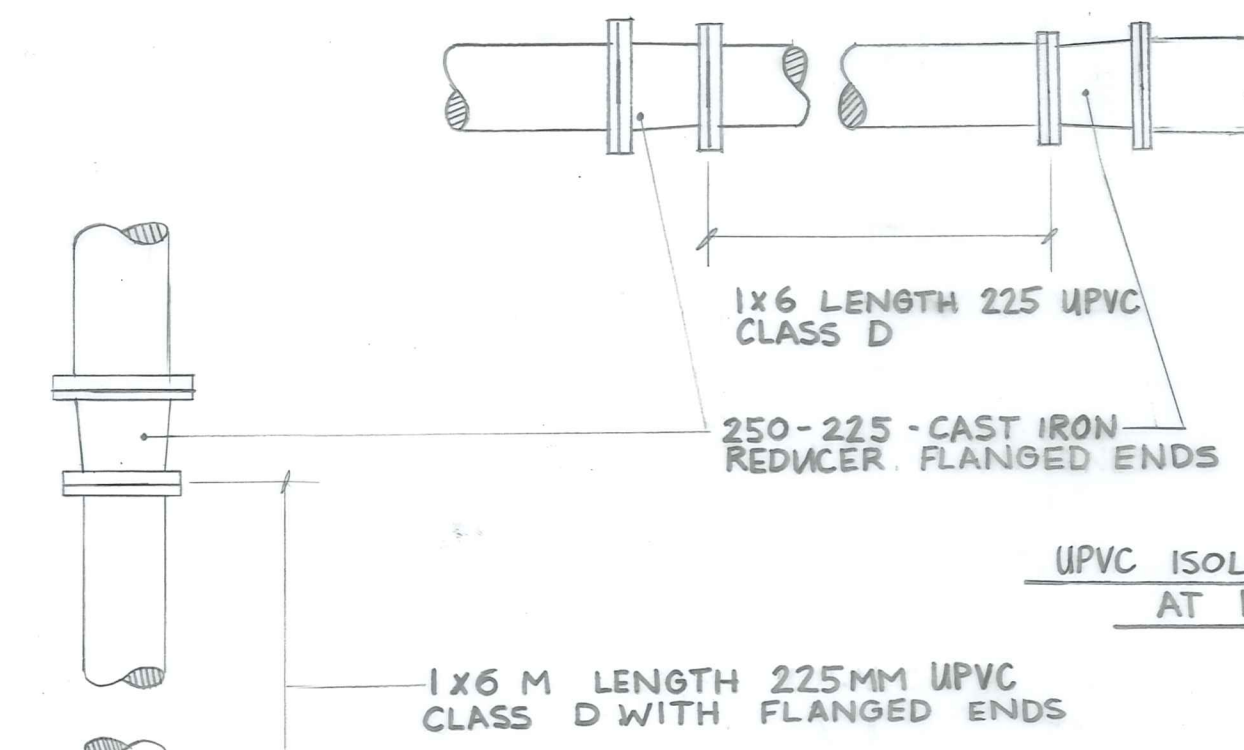
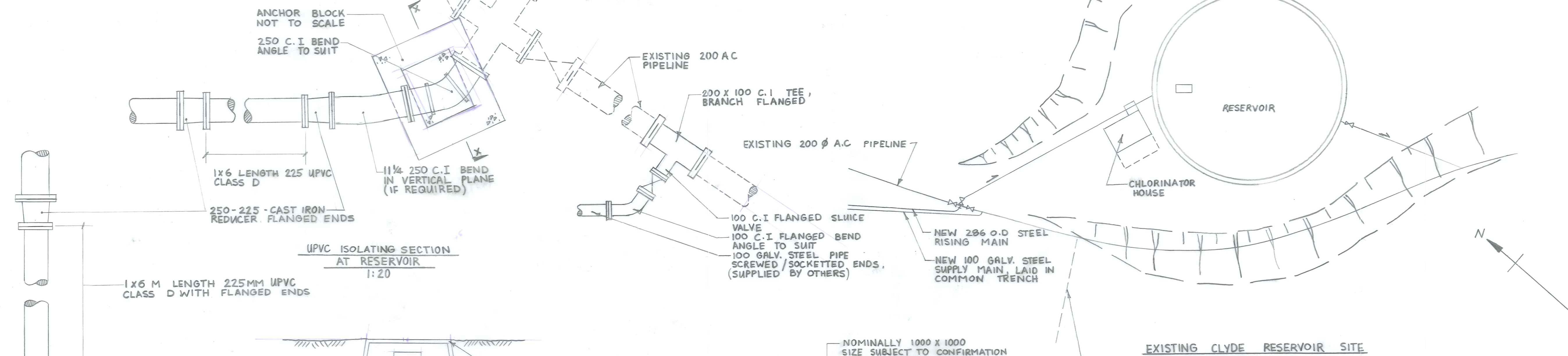
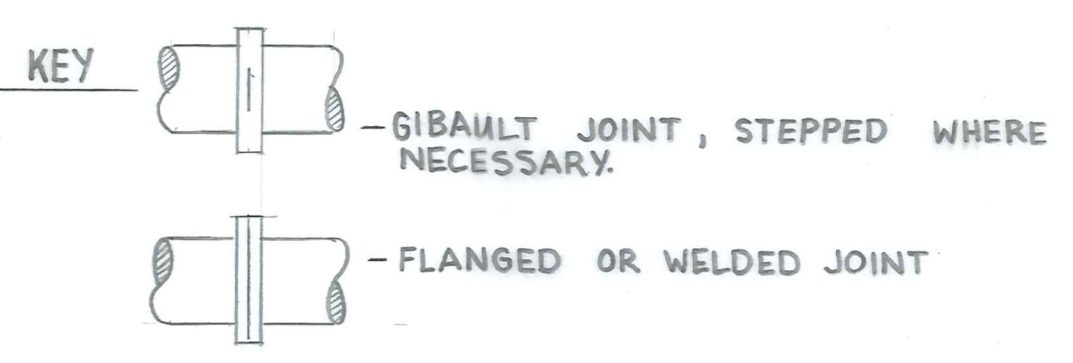
Client
VINCENT COUNTY COUNCIL

Project
CLYDE WATER SUPPLY

Sheet Title
PLAN LONGITUDINAL SECTION

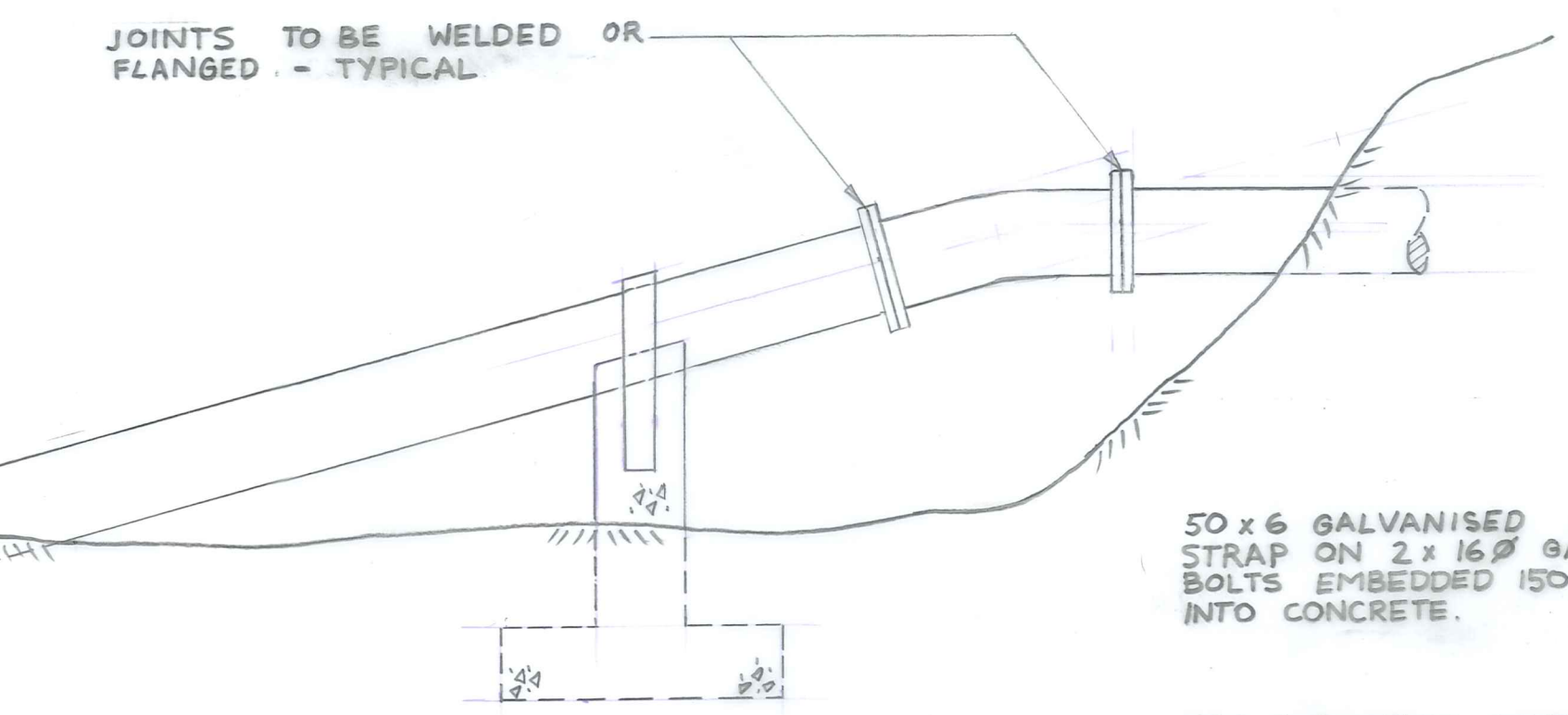
Job No.	Sheet No.	Revision
13363	1	

ORIGINAL SIZE mm
 0 10 30 50 100 150 200 300

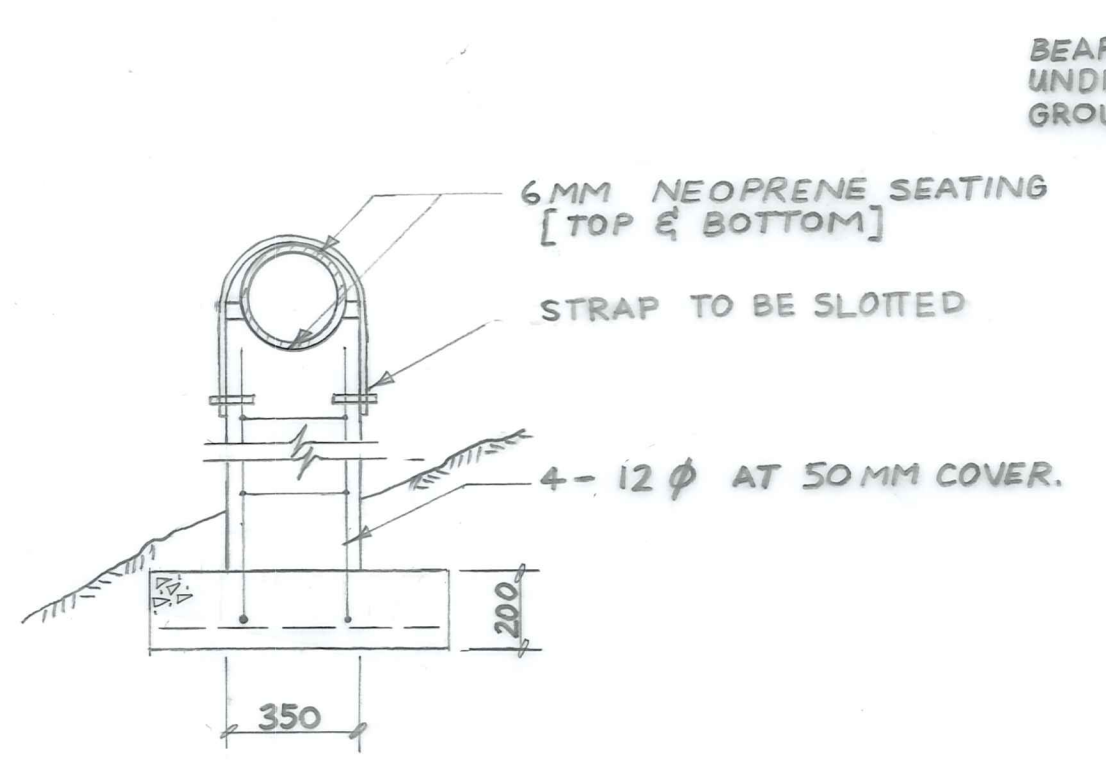
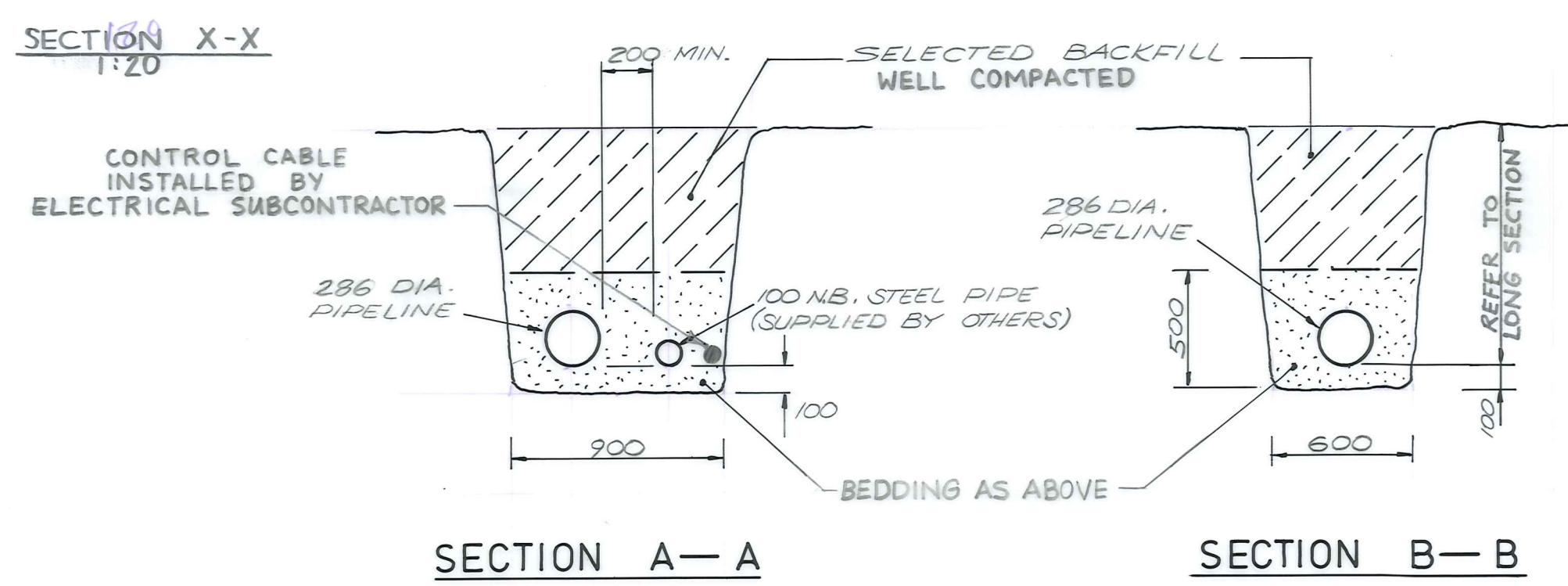
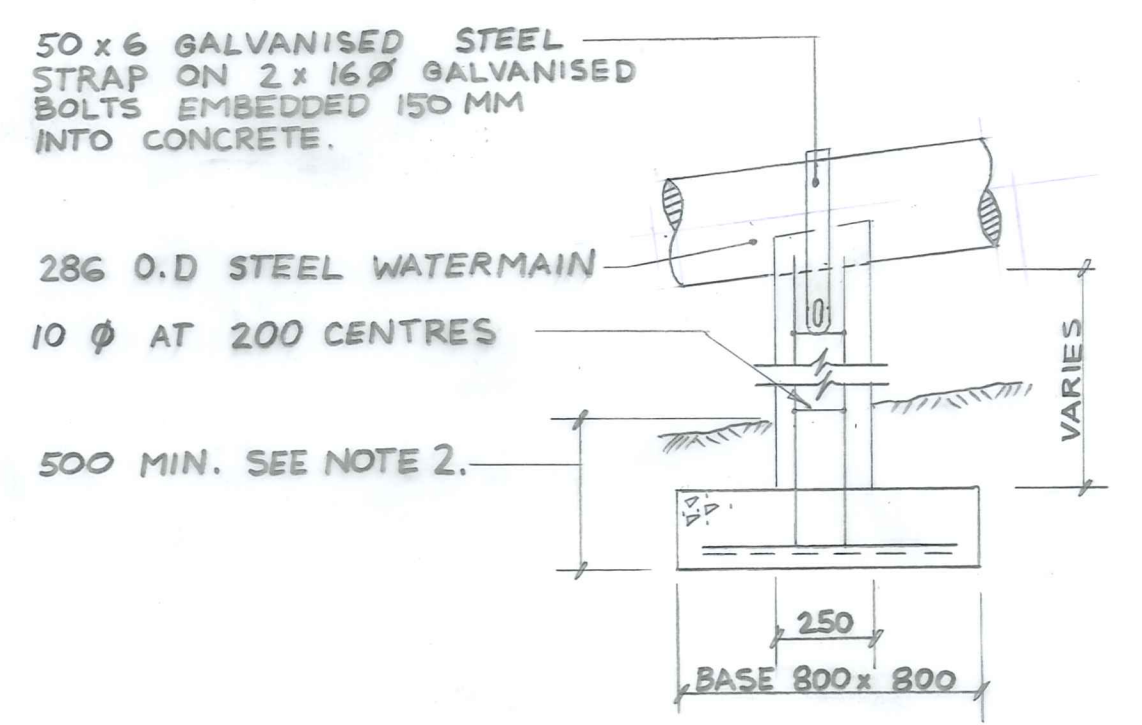


- PIPE BEDDING**
1. STEEL PIPELINES - SELECTED GRANULAR MATERIAL, MAX. PARTICLE SIZE 50MM. PARTICULAR CARE MUST BE TAKEN TO AVOID DAMAGING EXTERNAL PIPE COATING.
 2. UPVC PIPES - GRADED GRANULAR MATERIAL MAX. PARTICLE SIZE 20MM.

UPVC ISOLATING SECTION AT DAM 1:20



- NOTE:**
1. CONCRETE STRENGTH SHALL BE 20 MPA AT 28 DAYS
 2. PEDESTAL FOOTING TO BE ON HARD SOUND MATERIAL TO THE ENGINEERS APPROVAL.



- * BEARING AREA
- 90° BEND = 800 x 800
 - 45° BEND = 600 x 600
 - 22 1/2° BEND = 500 x 500
 - 11 1/4° BEND = 400 x 400

No.	Revisions	Date	Appvd

Designed	D. RAILTON	Date	MAR 92	Print Date
Drawn	D. SCOTT	Date	MAR 92	
Checked	<i>[Signature]</i>	Date	19-3-92	
Approved	<i>[Signature]</i>	Date	19-3-92	
File	4043	L.B.		

DUFFILL WATTS & KING LTD
Consulting Civil & Structural Engineers
Dunedin Invercargill Alexandra Queenstown

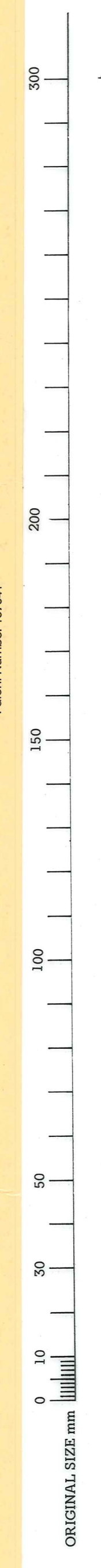
Client
VINCENT COUNTY COUNCIL

Project
CLYDE WATER SUPPLY

Sheet Title
CROSS SECTIONS, BEDDING DETAILS

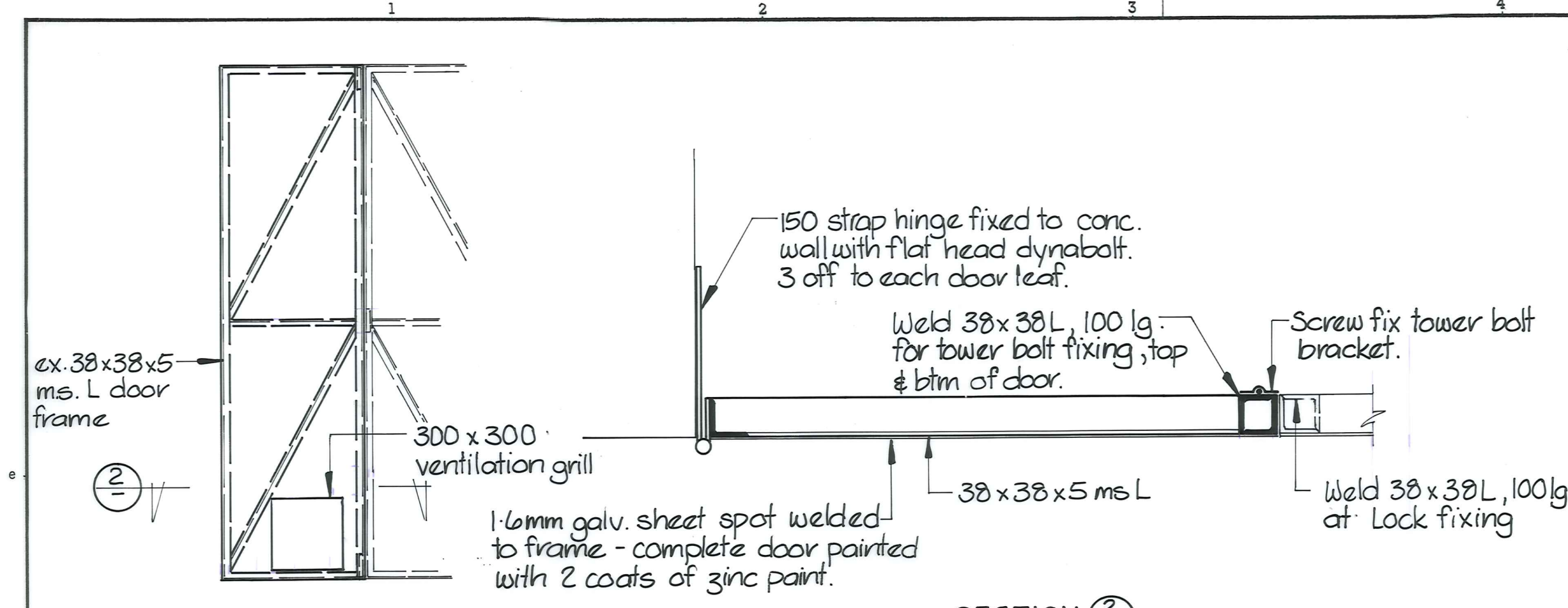
Job No. 13363
Sheet No. 2
Revision of shts

13363/2
CLYDE WATER SUPPLY
Re-Order Flemaster 'D'
Sellotape 1230 Double Side Tissue
SELF-ADHESIVE PLAN HANGER
Patent Number 137841



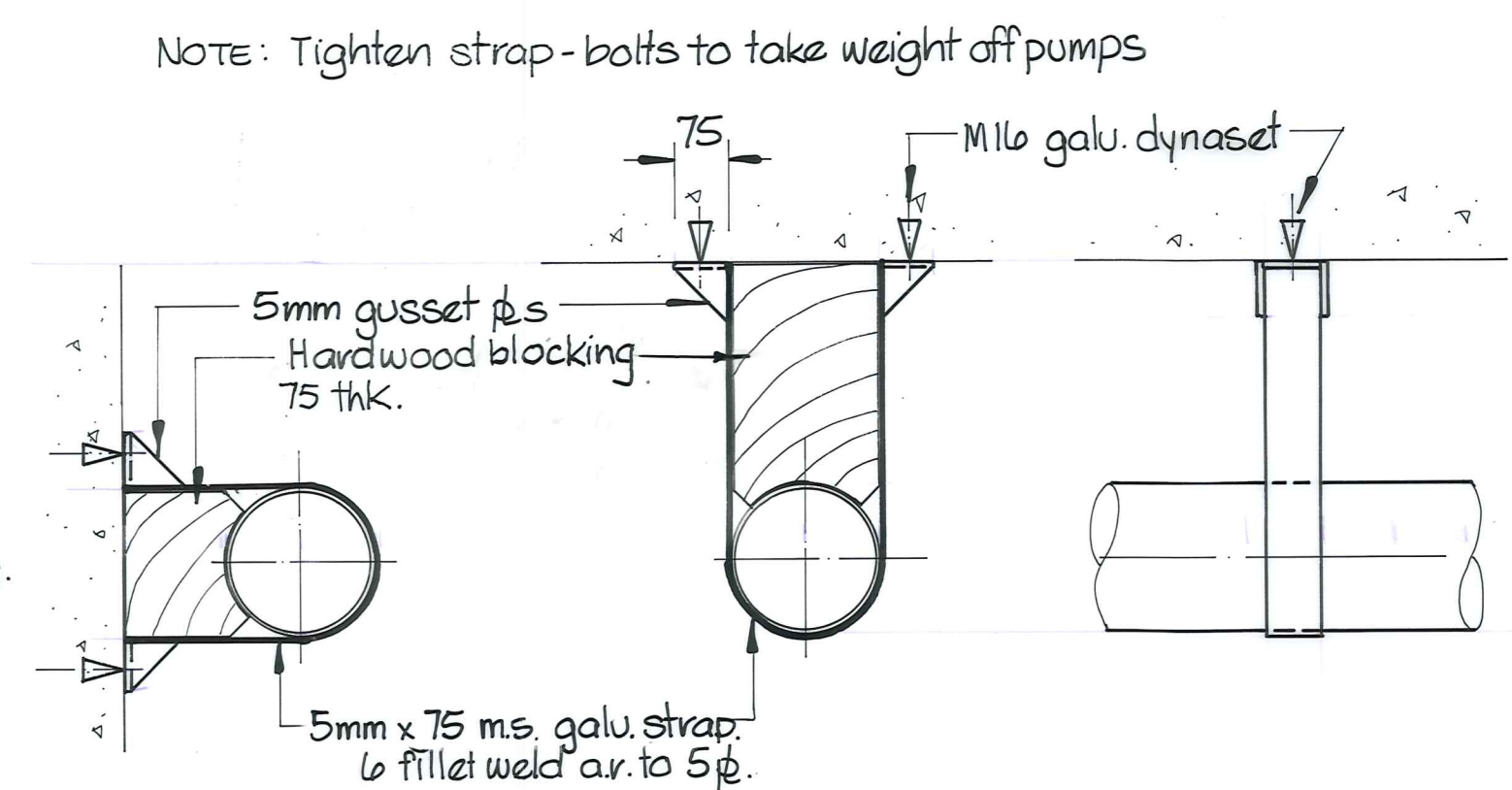
Clyde Water Supply
 Re-Order Flemaster "D"
 Sellotape 1230 Double Side Tissue
 Patent Number 13784

ORIGINAL SIZE mm



DOOR ELEVATION 1:20

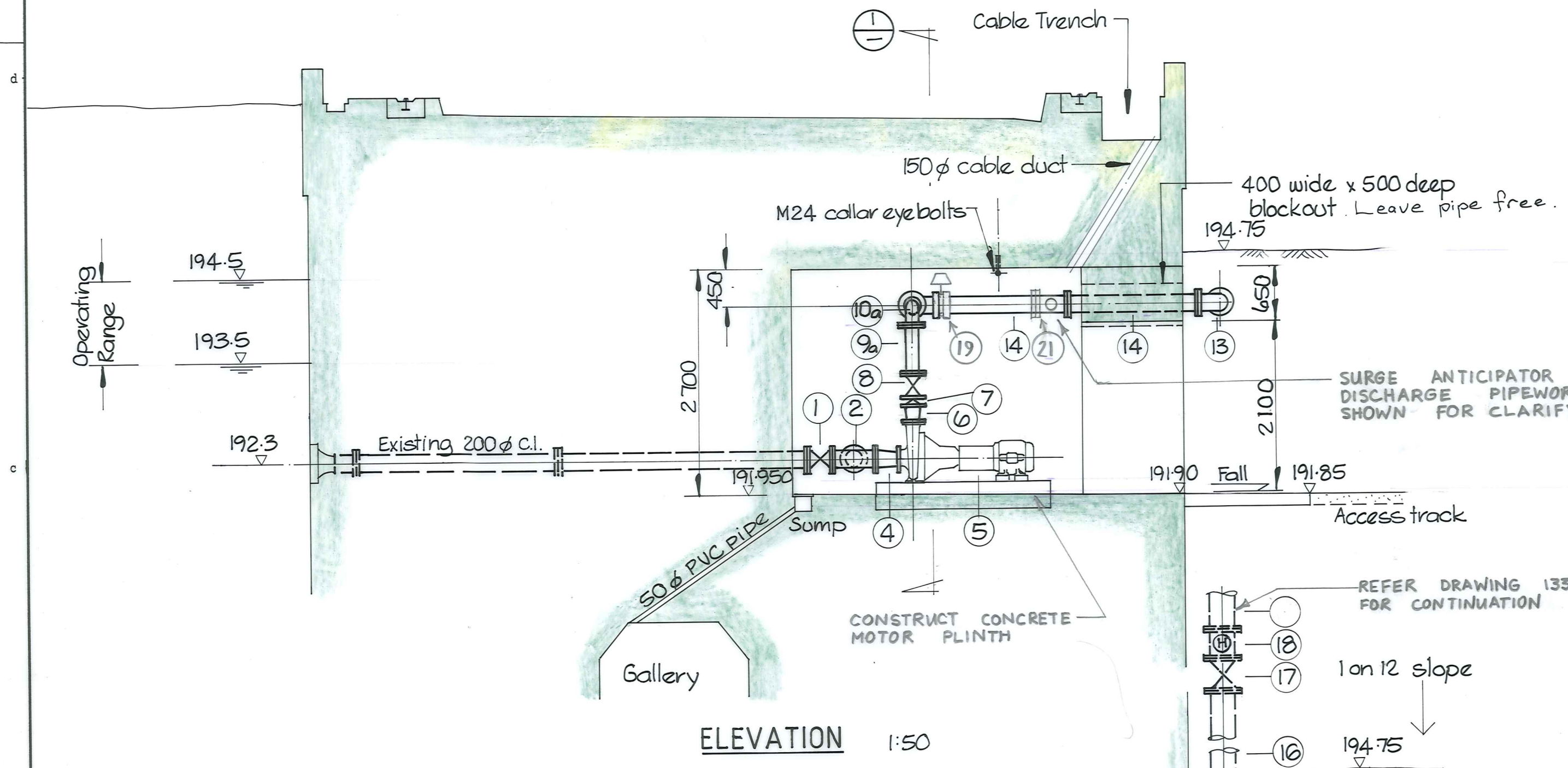
DOOR DETAILS



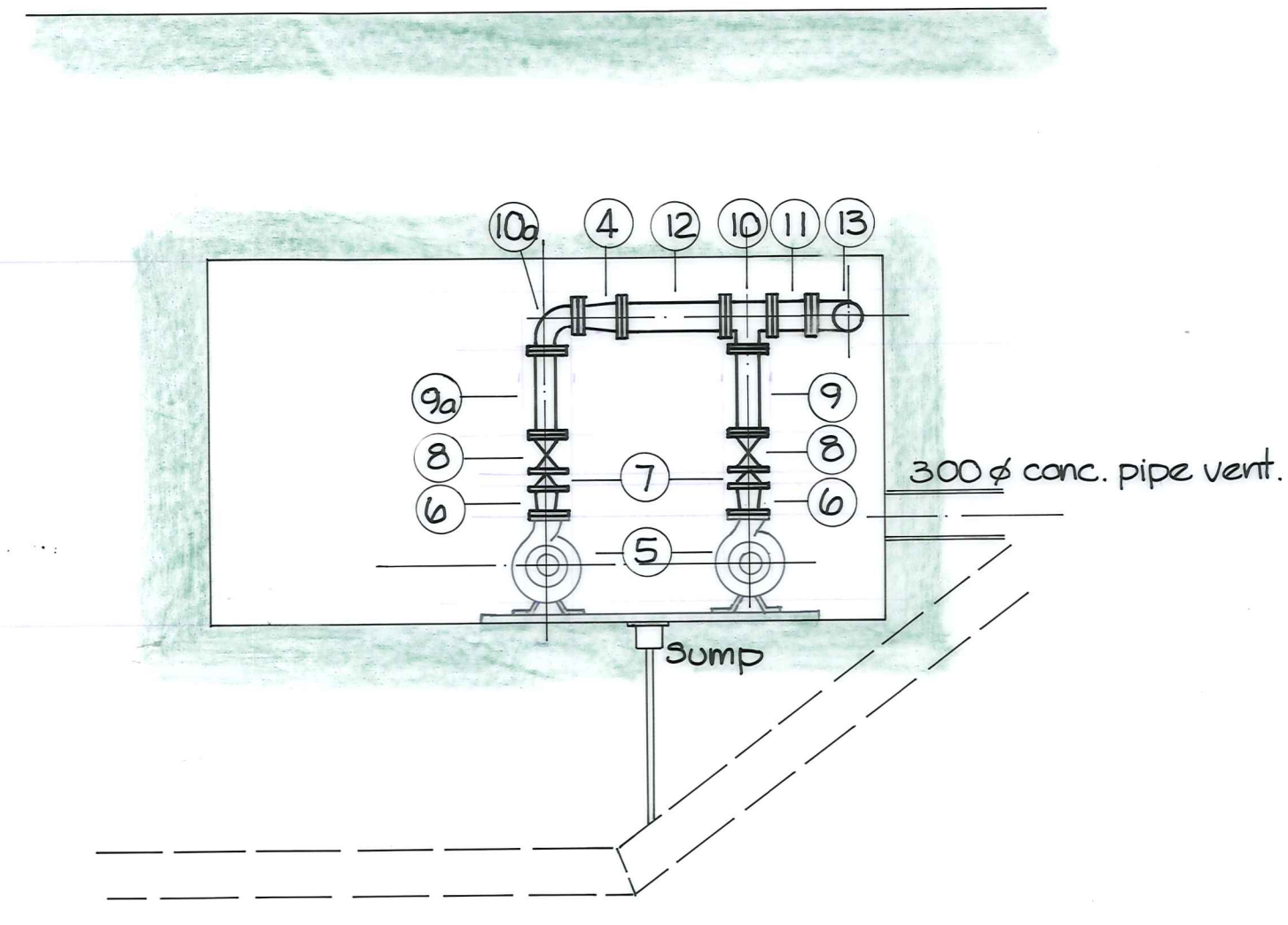
HORIZONTAL VERTICAL
 SUPPORT STRAP DETAILS 1:10

NOTE: Tighten strap-bolts to take weight off pumps

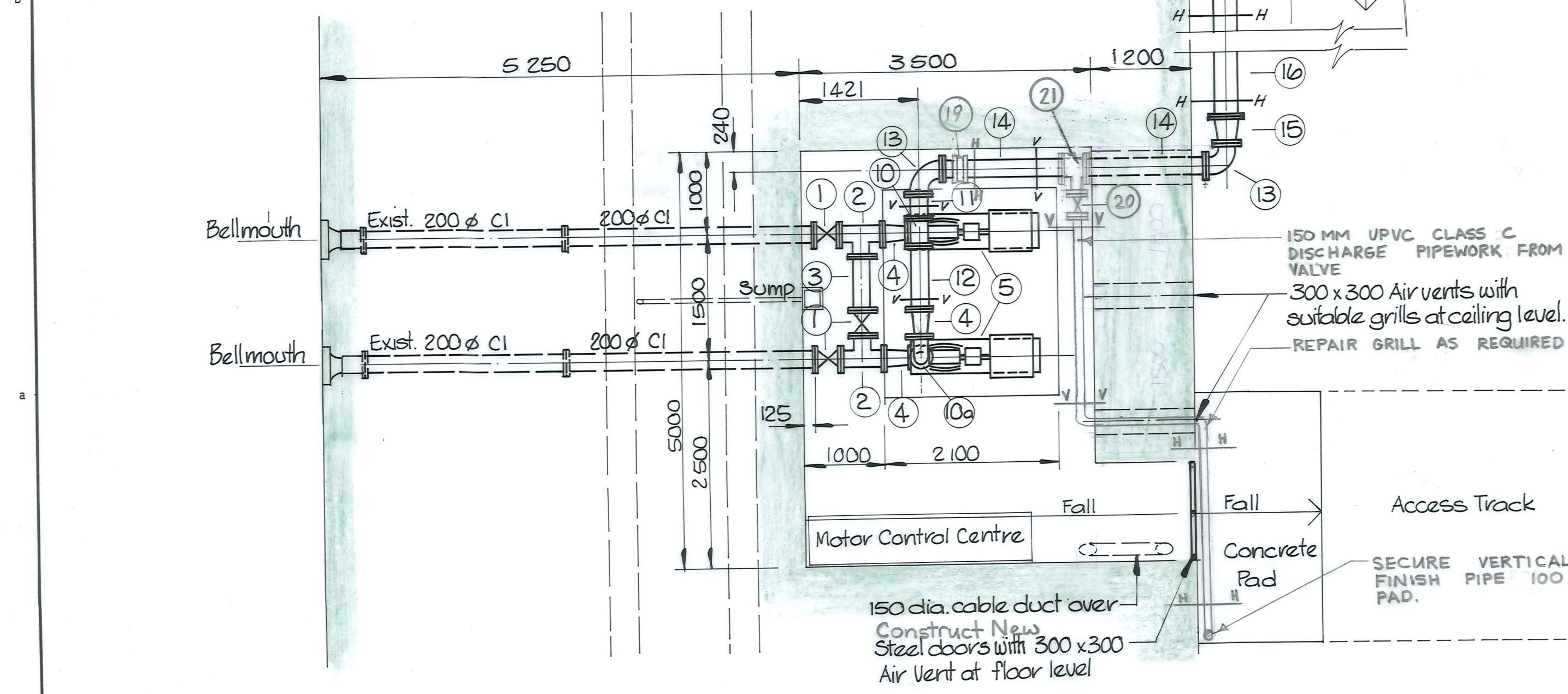
Retighten supports at end of maintenance period to make good hardwood shrinkage



ELEVATION 1:50



SECTION 1-1 1:50



PLAN 1:50

- 19. KEYSTONE 200MM FICEEZ BUTTERFLY VALVE COMPLETE WITH F777-50 ELECTRIC ACTUATOR AND SPEED CONTROL MODULE.
- 20. MUESCO 100MM FIG 116.52 SURGE ANTICIPATING VALVE WITH 150MM UPVC CLASS C DISCHARGE PIPEWORK AS SHOWN
- 21. 200 x 100 C.I FLANGED TEE

No.	DIA.	NO REQ'D	DESCRIPTION
1	200	3	Blakeborough Valve Fig. 3495 H DF
2	200	2	200 x 200 CI Tee All Flanged
3	200	1	648 lg. CI straight DF
4	200/150	3	CI Reducer DF
5	-	2	Hydra-Titan 150 x 125 - 250 Pumpset 212 ϕ imp.
6	150/125	2	CI Reducer DF
7	150	2	Water Swing Check valve with counter weight
8	150	2	Blakeborough Valve Fig. 3460 H DF
9	150	2	628 lg. CI straight DF
9a	150	1	621 lg. CI straight DF
10	150	1	CI Tee All flanged
10a	200	1	CI Short radius 90° bend DF
11	200	1	284 lg. CI straight DF
12	200	1	769 lg. CI straight DF
13	200	2	CI Short radius 90° bend DF
14	200	2	CI straight DF - length to suit
15	250/200	1	CI Reducer DF
16	286 ϕ	1	5000 lg. Spiral welded pipe DF
17	250	1	Blakeborough Valve Fig. 3460 DF complete with Valve Box & Lid
18	250	1	Blakeborough Tall Pattern Hydrant Fig. 2686 complete with 250 Hydrant Tee, Box & Heavy Duty Lid.
V			Vertical Support Strap
H			Horizontal Support Strap

N.B. 1. All flanges Table E drilled BS10 except those mating with pumps which are AS 2129-1978 Table E
 2. For convenience 'Gillies' dimensions have been used throughout. Fittings from other approved foundries are acceptable, but general overall dimensions shown on this drawing must be achieved.

Notes
 1. This drawing to be read in conjunction with MWD Aug. 8/1291/25 7804 38

2. CONTRACTOR TO CONFIRM ALL DIMENSIONS FOR ALL WORK.

No.	Revisions	Date	Appr'd

Designed G.R. Duff Date July 89 Print Date
 Drawn DJ. Tyssen
 Checked [Signature] 19-3-92
 Approved [Signature] 19-3-92
 File 4043/10/13 L.B.

DUFFILL WATTS & KING LTD
 Consulting Civil & Structural Engineers
 Dunedin Invercargill Alexandra Queenstown

Client
VINCENT COUNTY COUNCIL
 Project
CLYDE WATER SUPPLY DG 3 DAM PUMPHOUSE

Sheet Title
PIPEWORK LAYOUT
 Job No. 13363
 Sheet No. 3 of 3
 Revision