

# DANSEY PASS ROAD

SLIP NEAR CULVERT 105

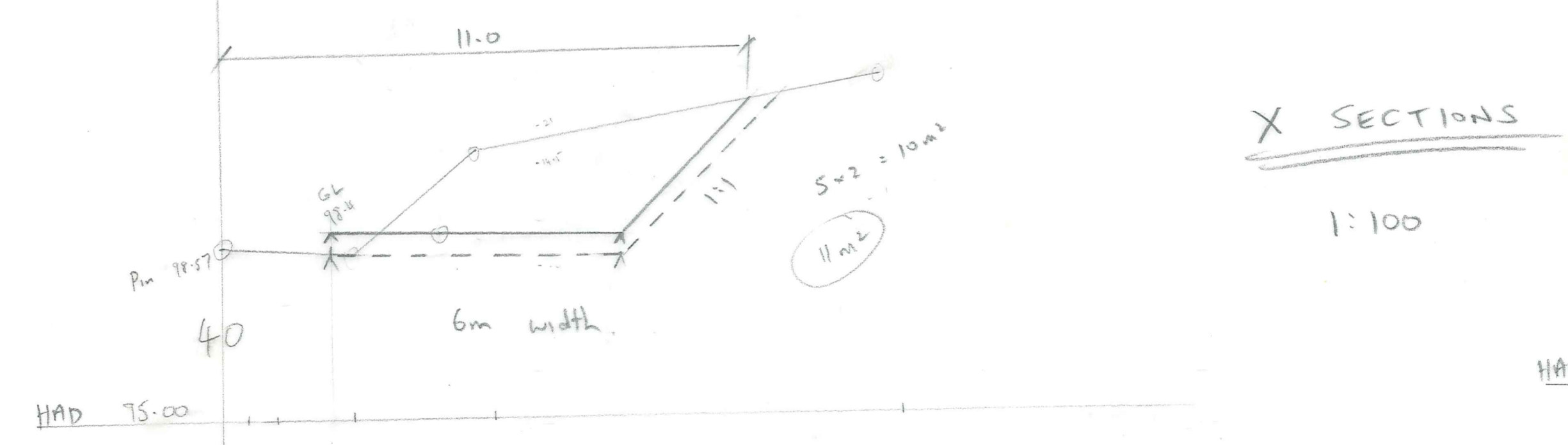
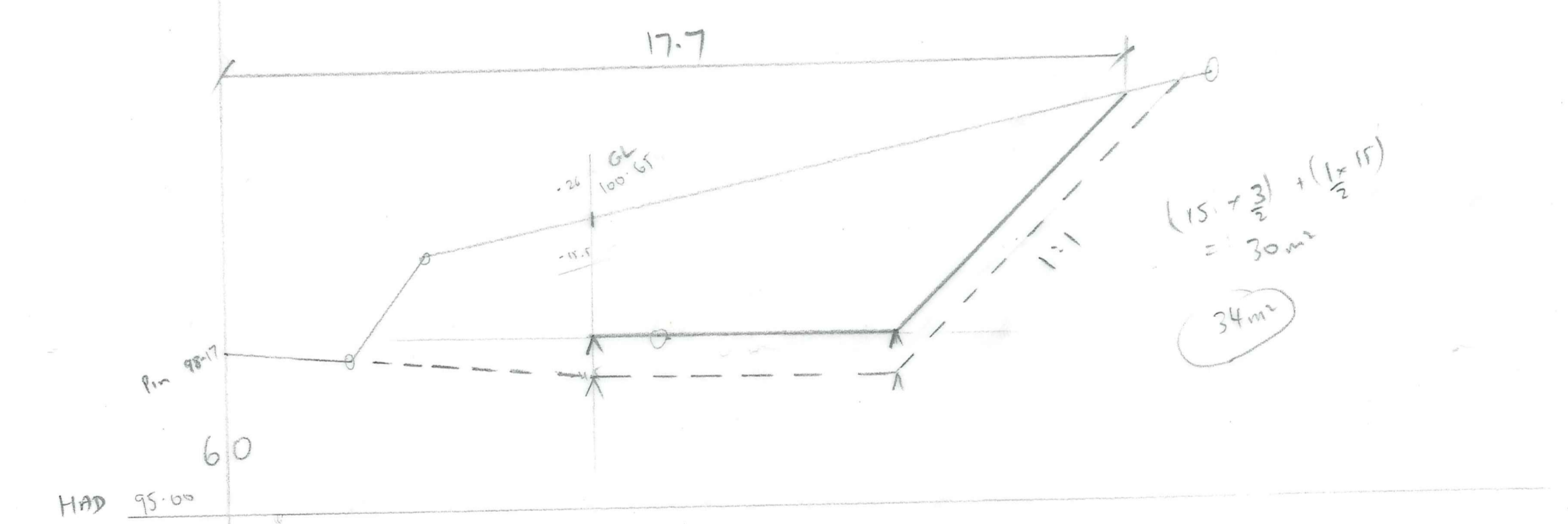
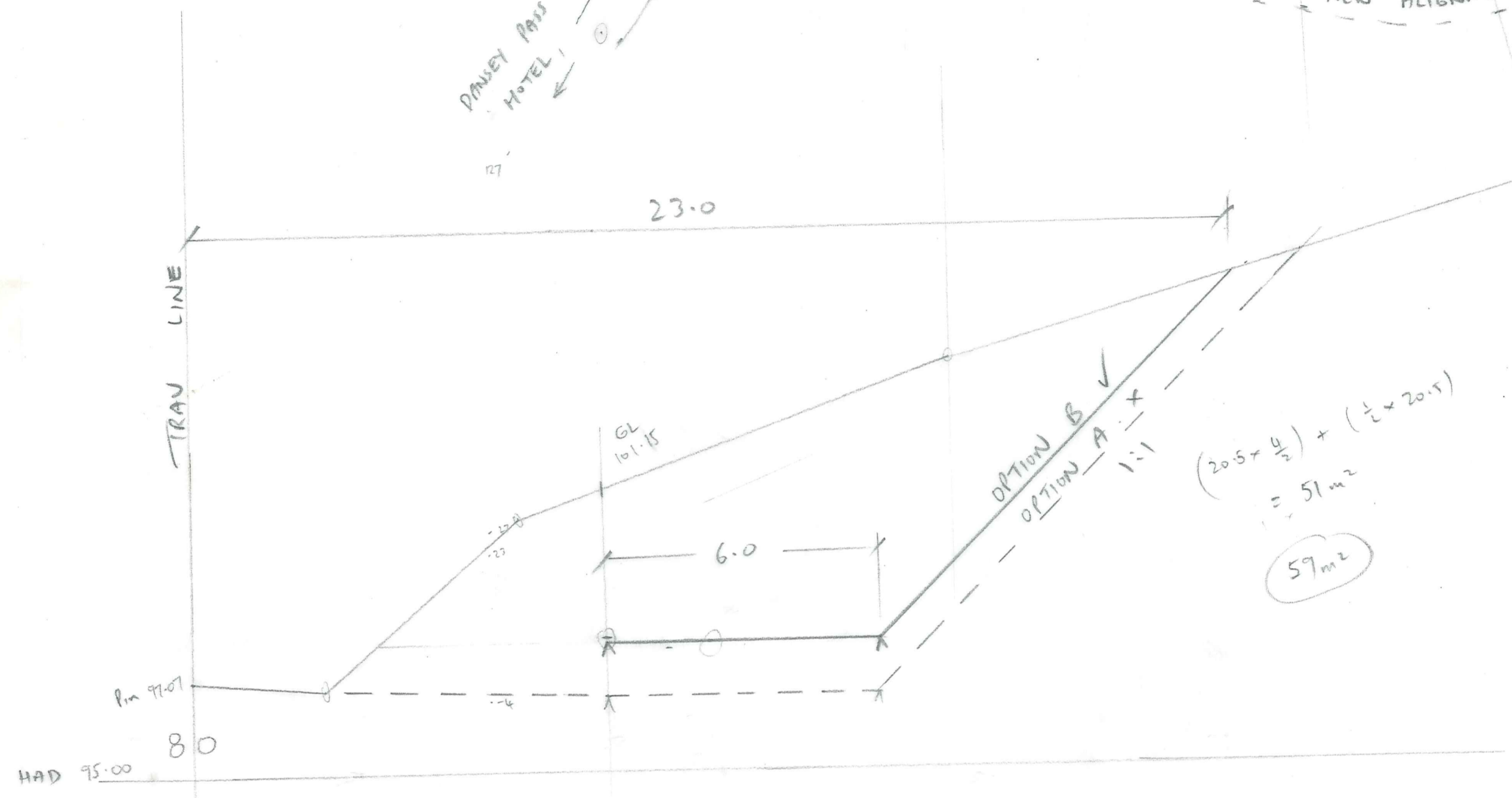
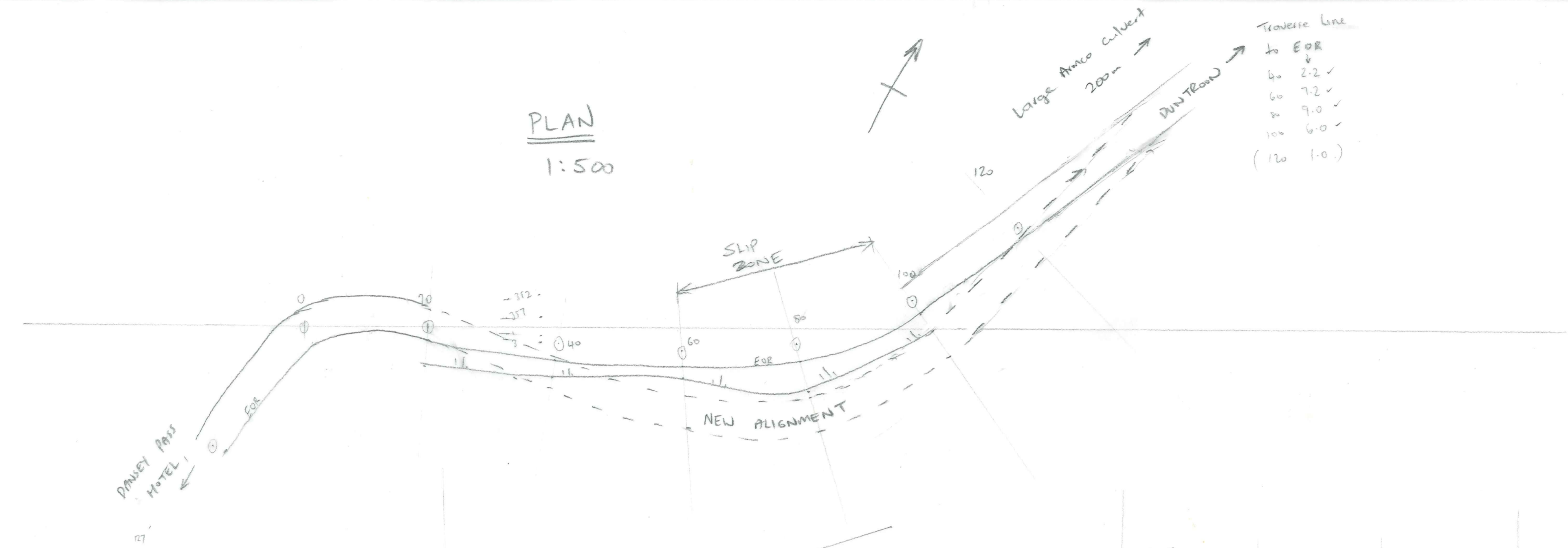
LB 530  
30-8-90

E.T.M.

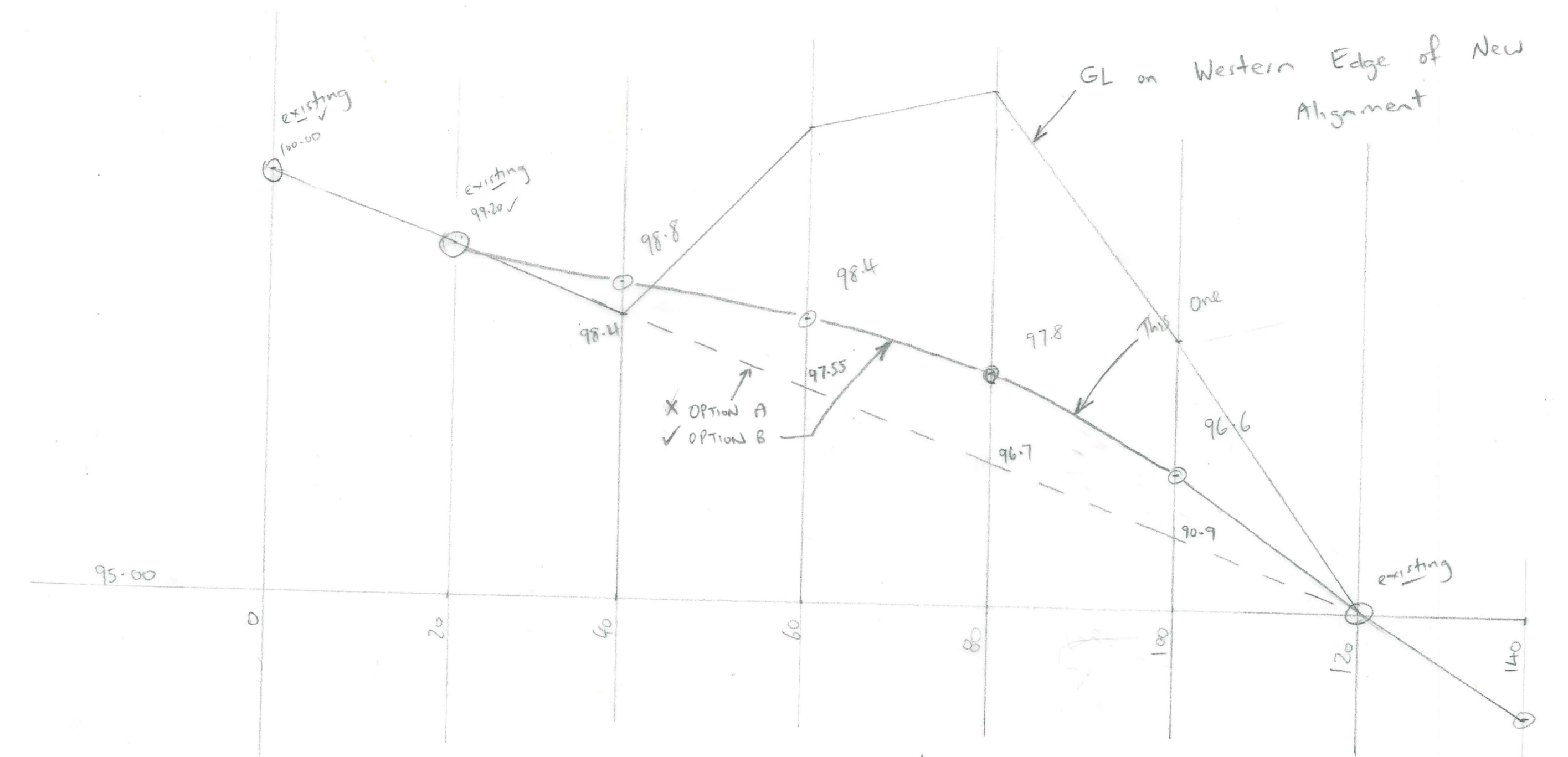
12482

Ray Parkins

PLAN  
1:500

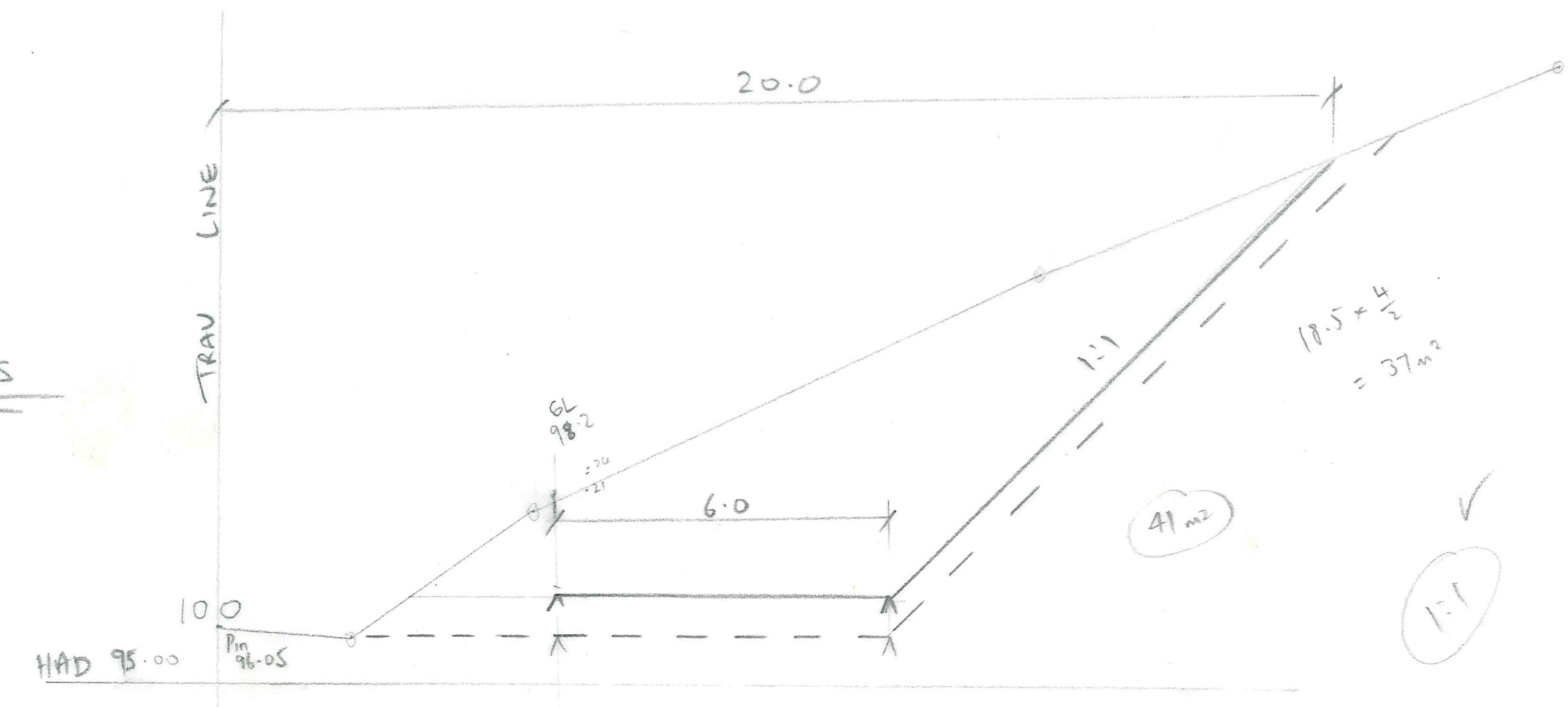


X SECTIONS  
1:100



LONG SECTION  
1:50 V  
1:500 H

mi	VOLUME
20	0
40	5
60	10
80	30
100	51
120	0
20	20
40	40
60	60
80	80
100	100
120	120
2560	
SATY 2600 m <sup>3</sup>	



Checking volume with planimeter, get 2900 m<sup>3</sup> solid