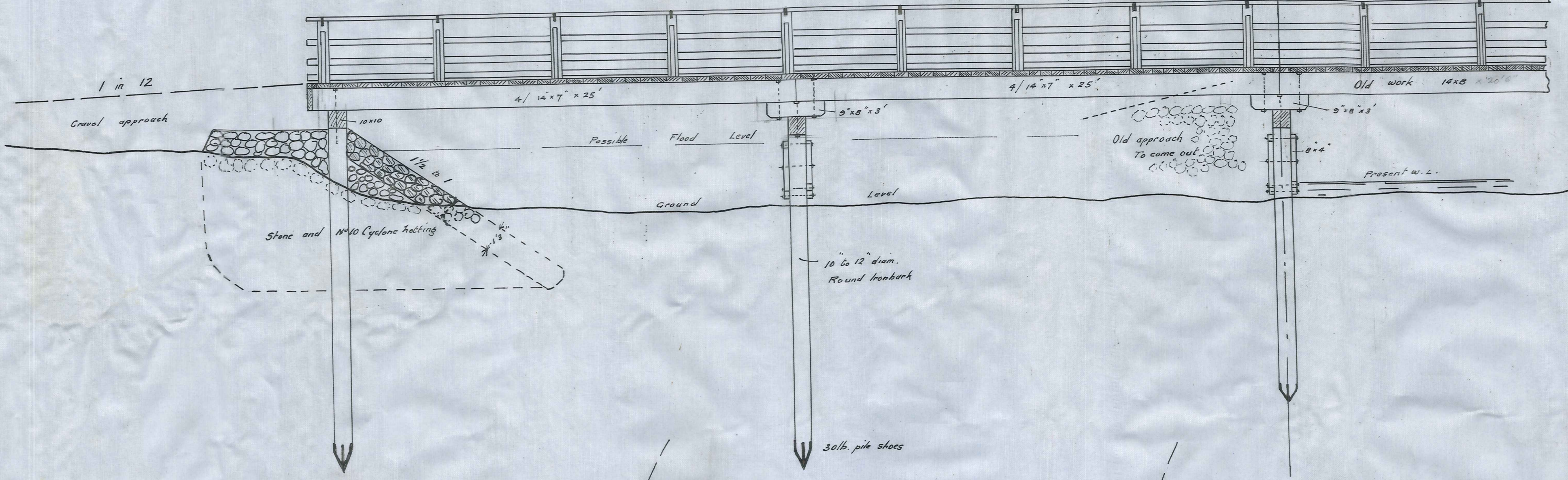
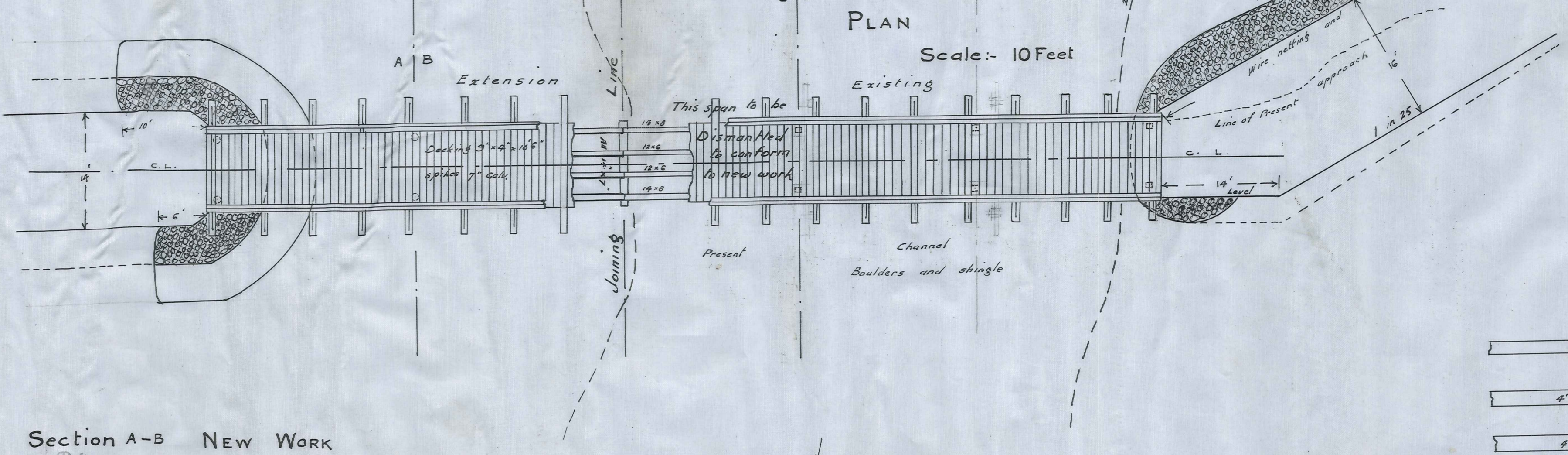
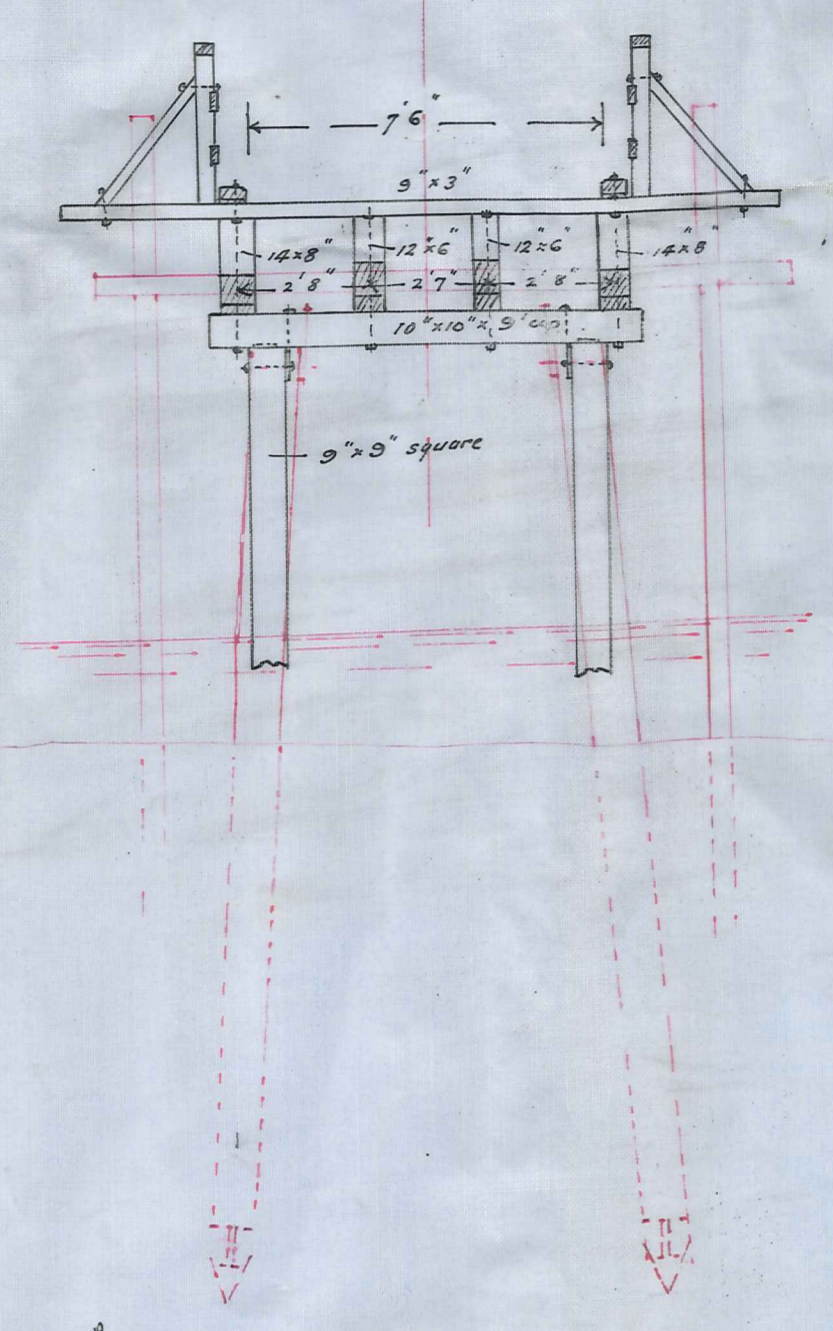


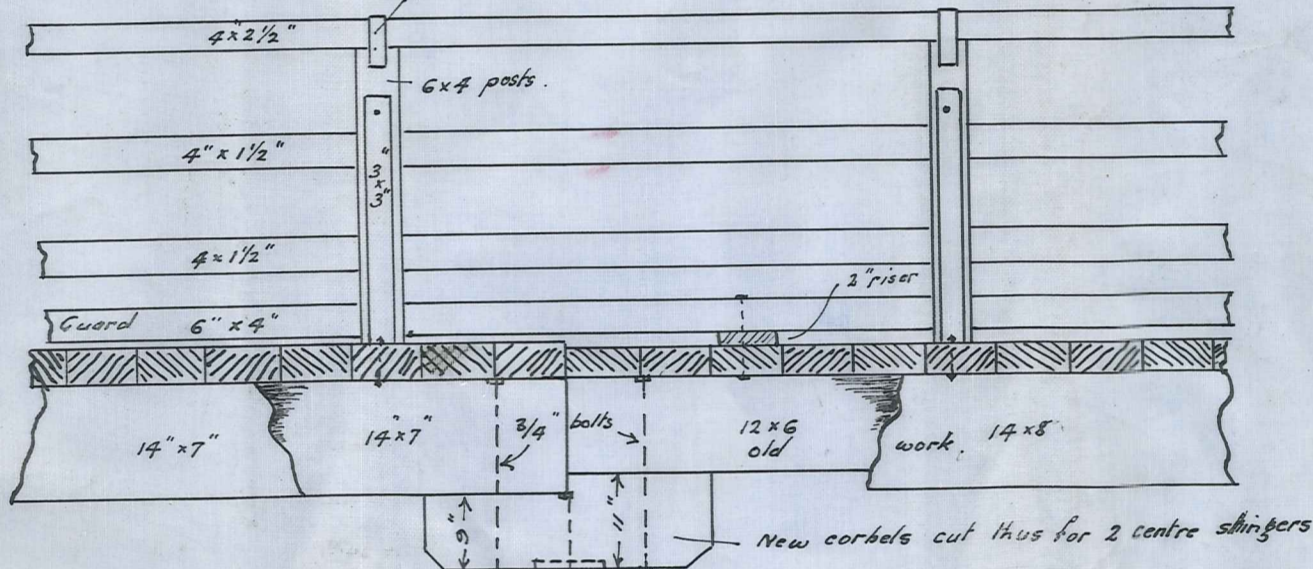
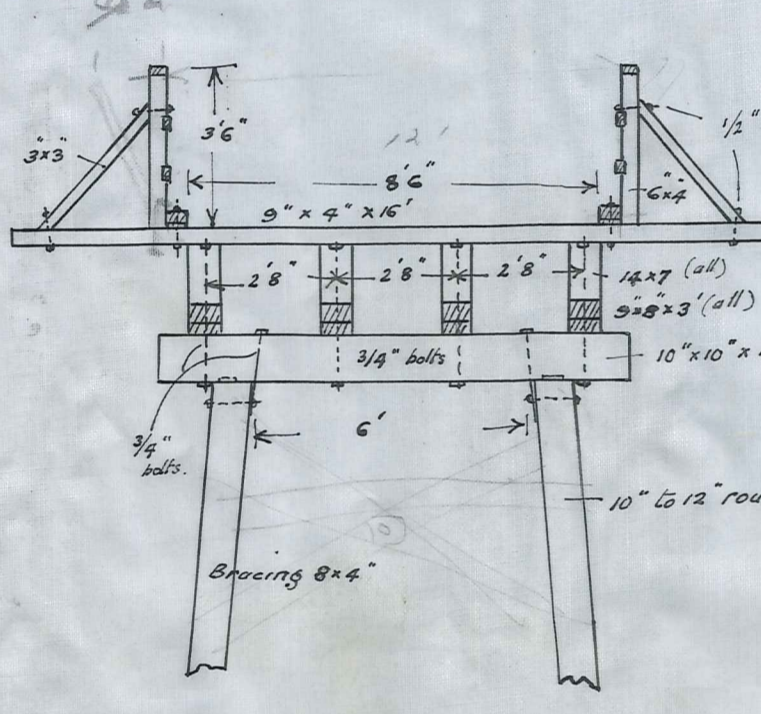
MANIOTOTO COUNTY
 CONTRACT NO III
 DUNSTAN CREEK BRIDGE EXTSN.
 Scale: 4 Feet to an Inch



Section -CD EXISTING BRIDGE



Section A-B New Work



JUNCTION
 Scale 2 Feet

*Bridge Contract
 & Designing Plan.*

*Plaid
 5-2-26*

530

M.C.C. 053