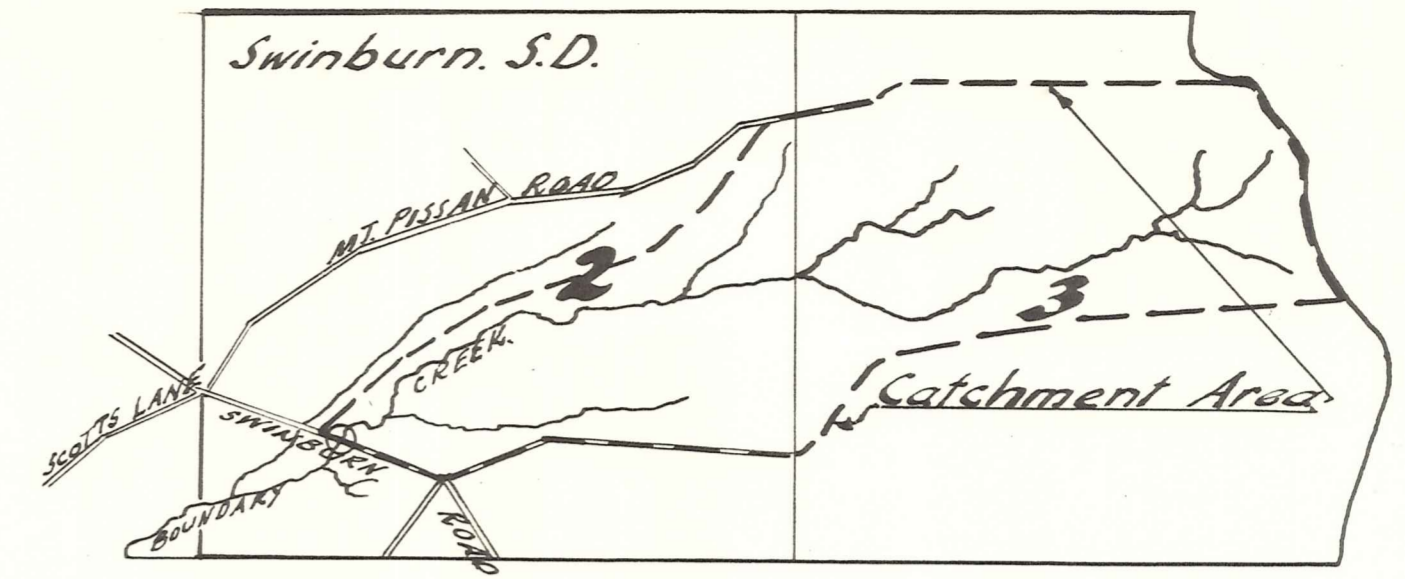
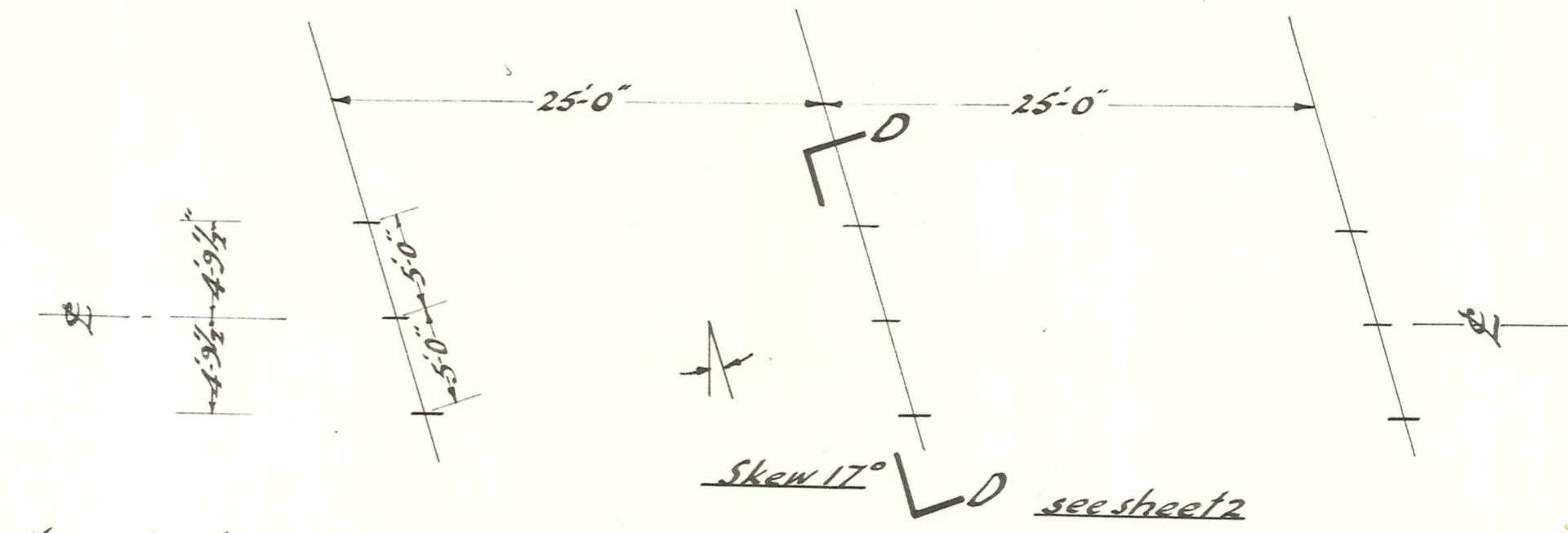


SITE PLAN Scale 1ch = 1inch

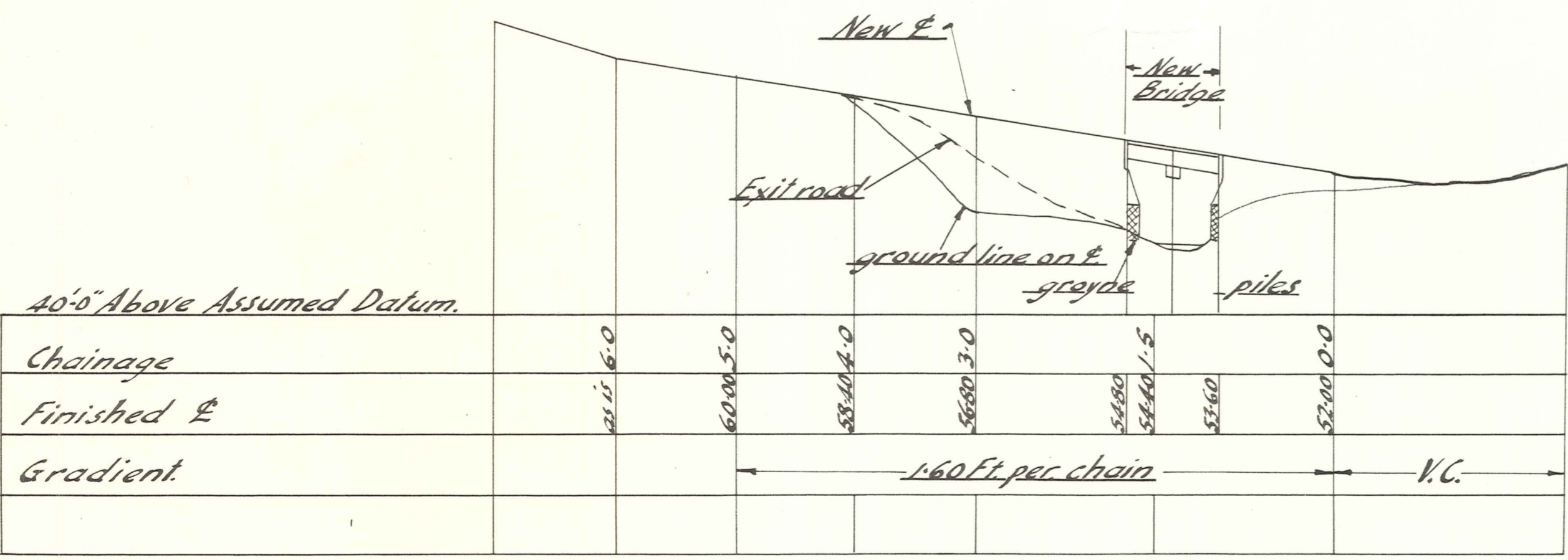


Locality Plan : 1 Mile to 1 INCH

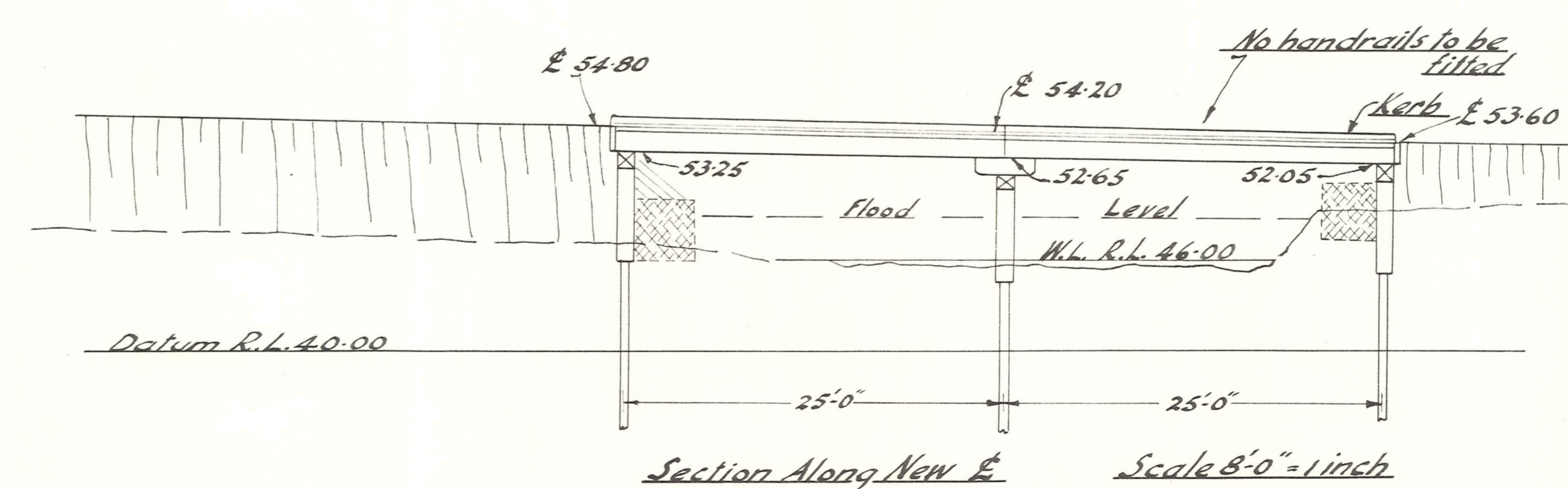


Note: Width between kerbs square across deck = not more than 11'-6"

Pile Plan
1/8" IN. = 1 FT.

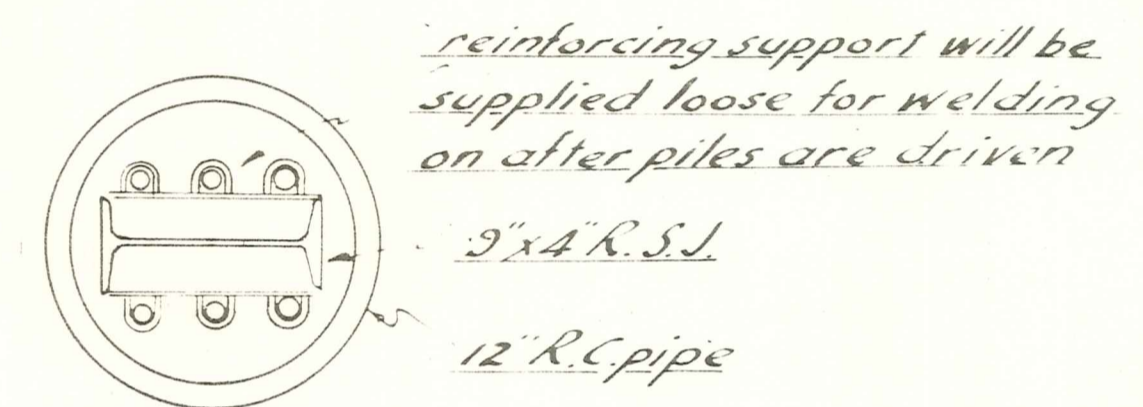
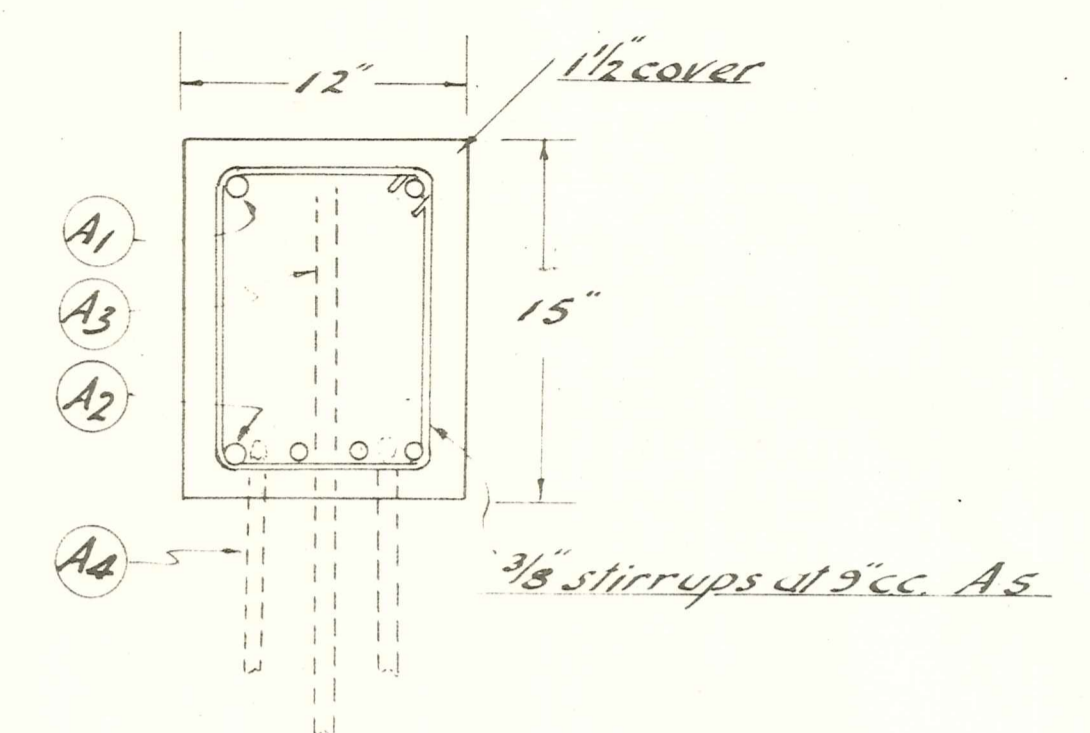
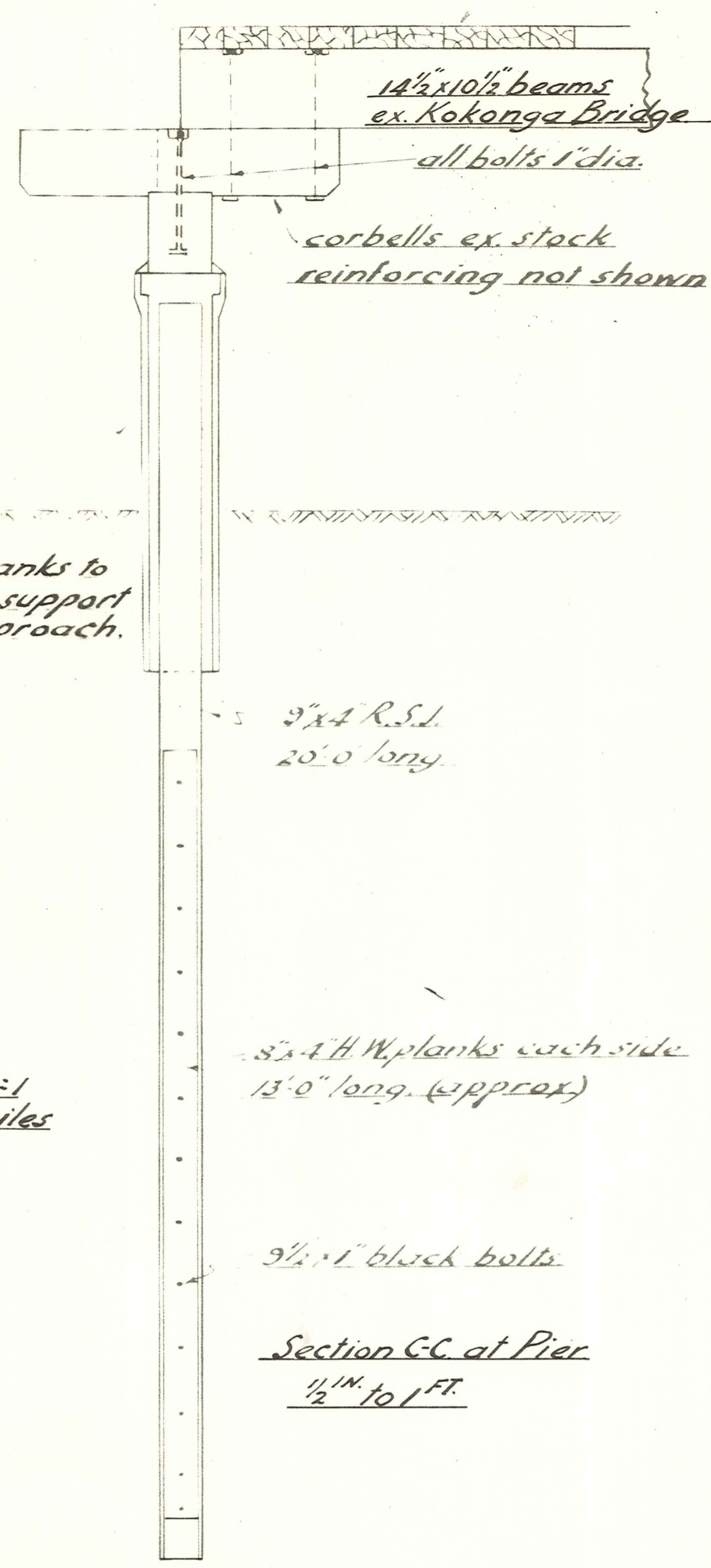
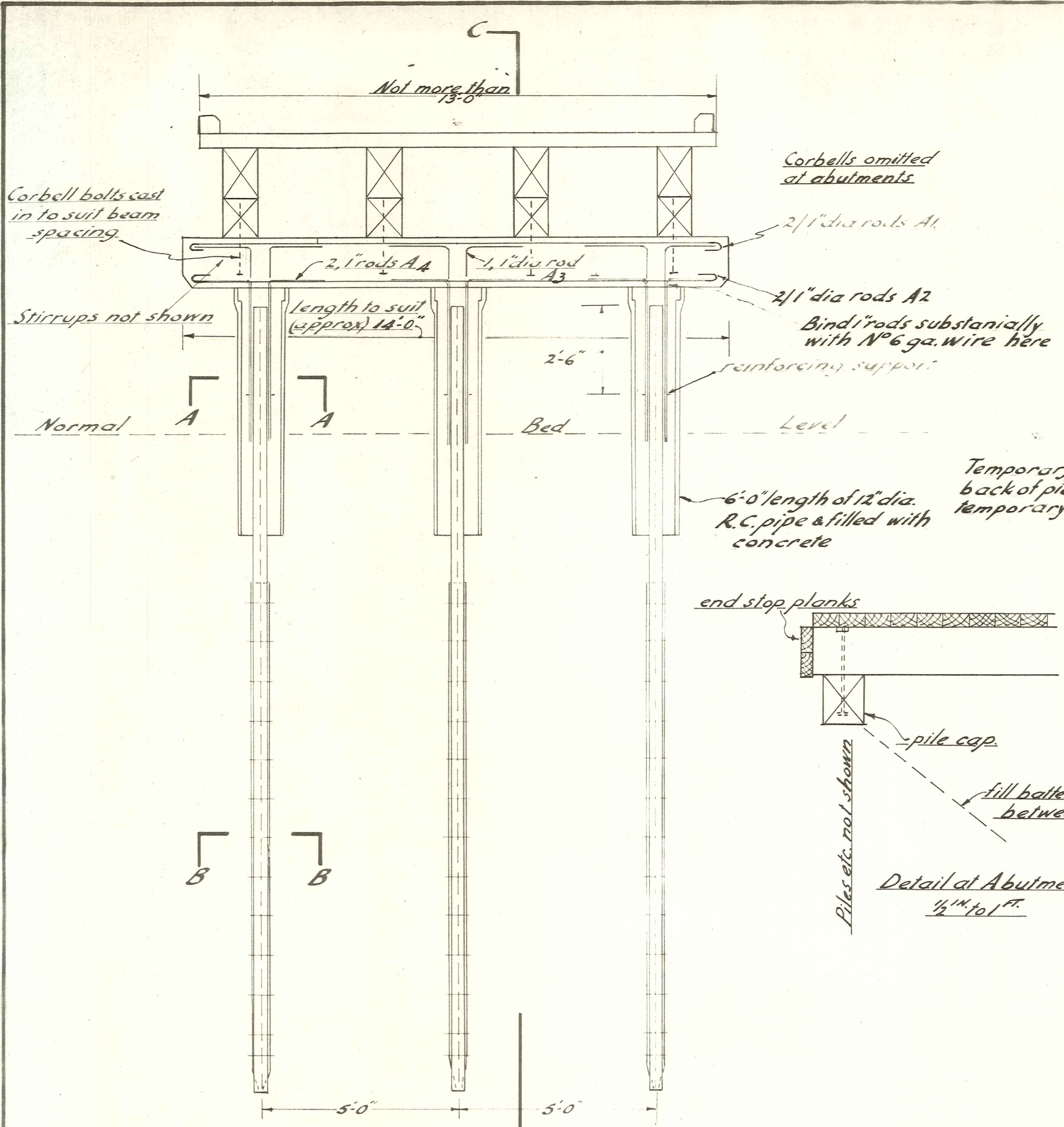


Long Section Scales: = 1ch = 1inch. Horizontal
10ft. = 1inch. Vertical

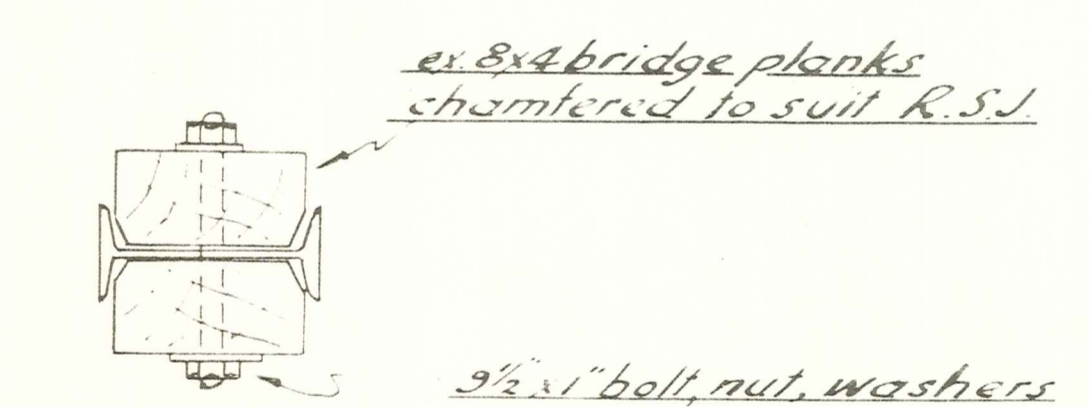


Section Along New E Scale 8'-0" = 1inch

Greens Bridge on Swinburn Road over Boundary Creek, Kyebrun



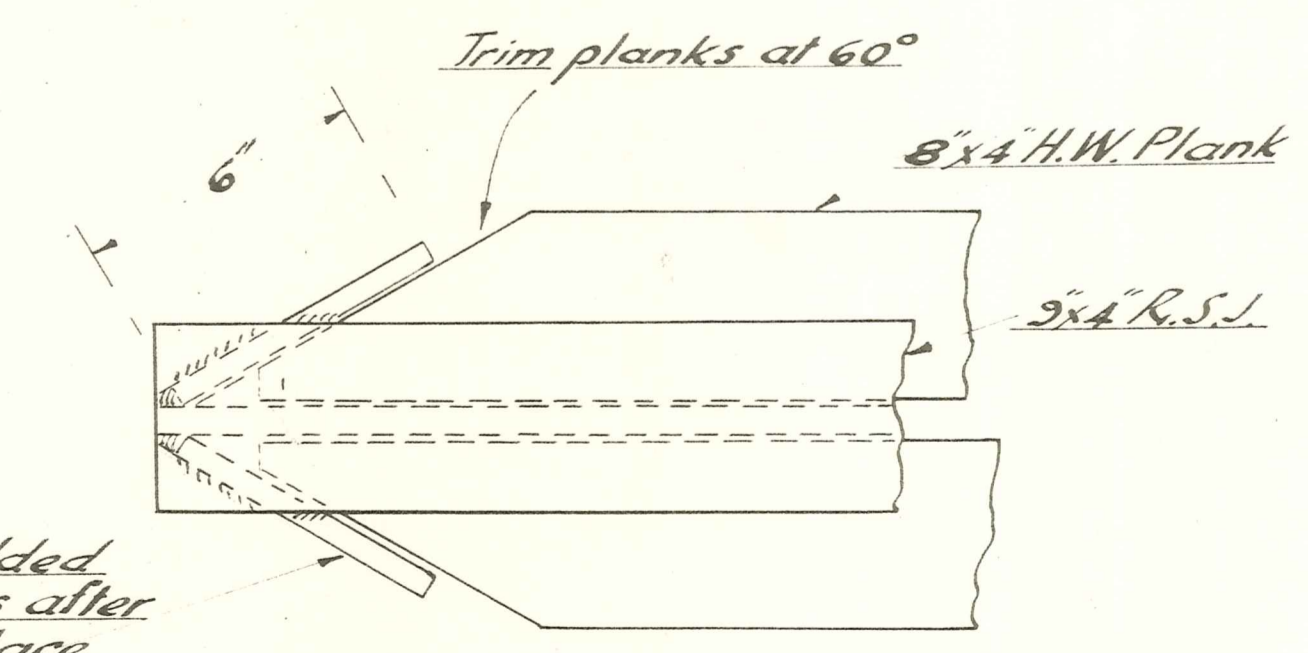
Section A-A



Section B-B

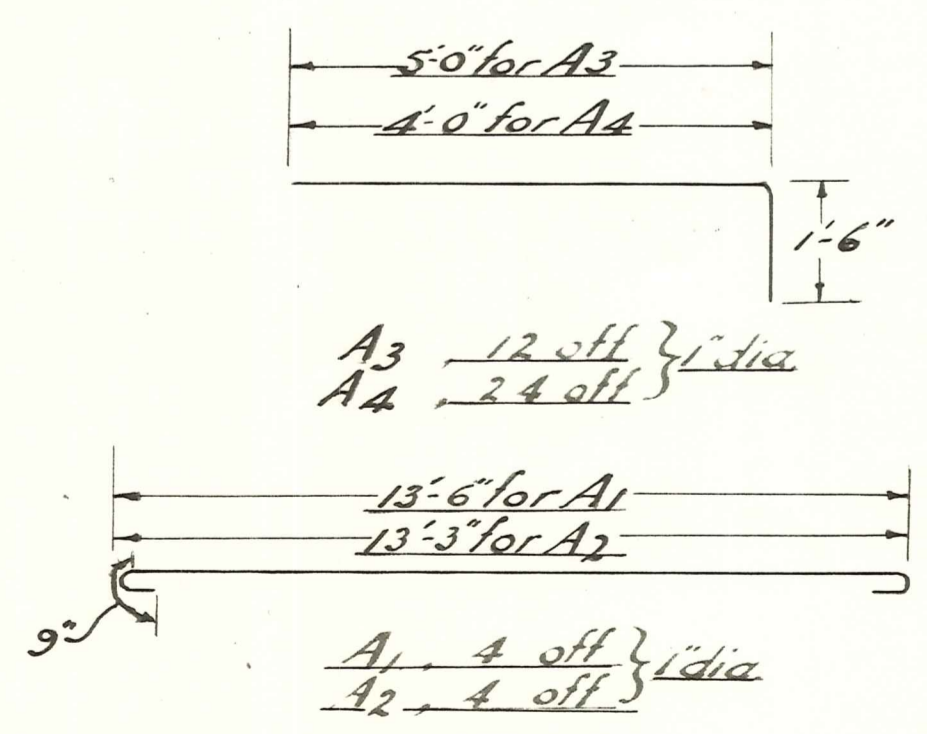
Section D-D
Sheet 4287/1

Scale: 1/2 inch to 1 foot



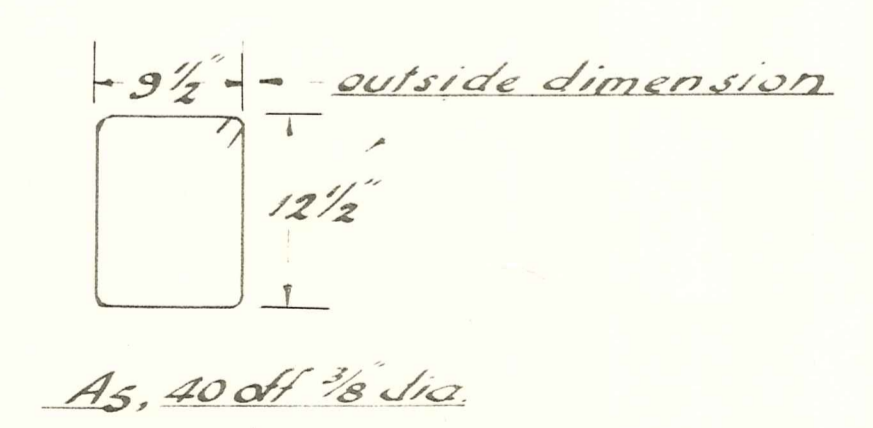
Detail of Pile Point
3/8 inch to 1 foot

Scale: 1/2 inch to 1 foot



Reinforcing Details
Not to Scale

Scale: 1 1/2 inch to 1 foot



Note Bend 1 inch rods on 4 inch dia mandrel
3/8 inch 1 1/2 inch