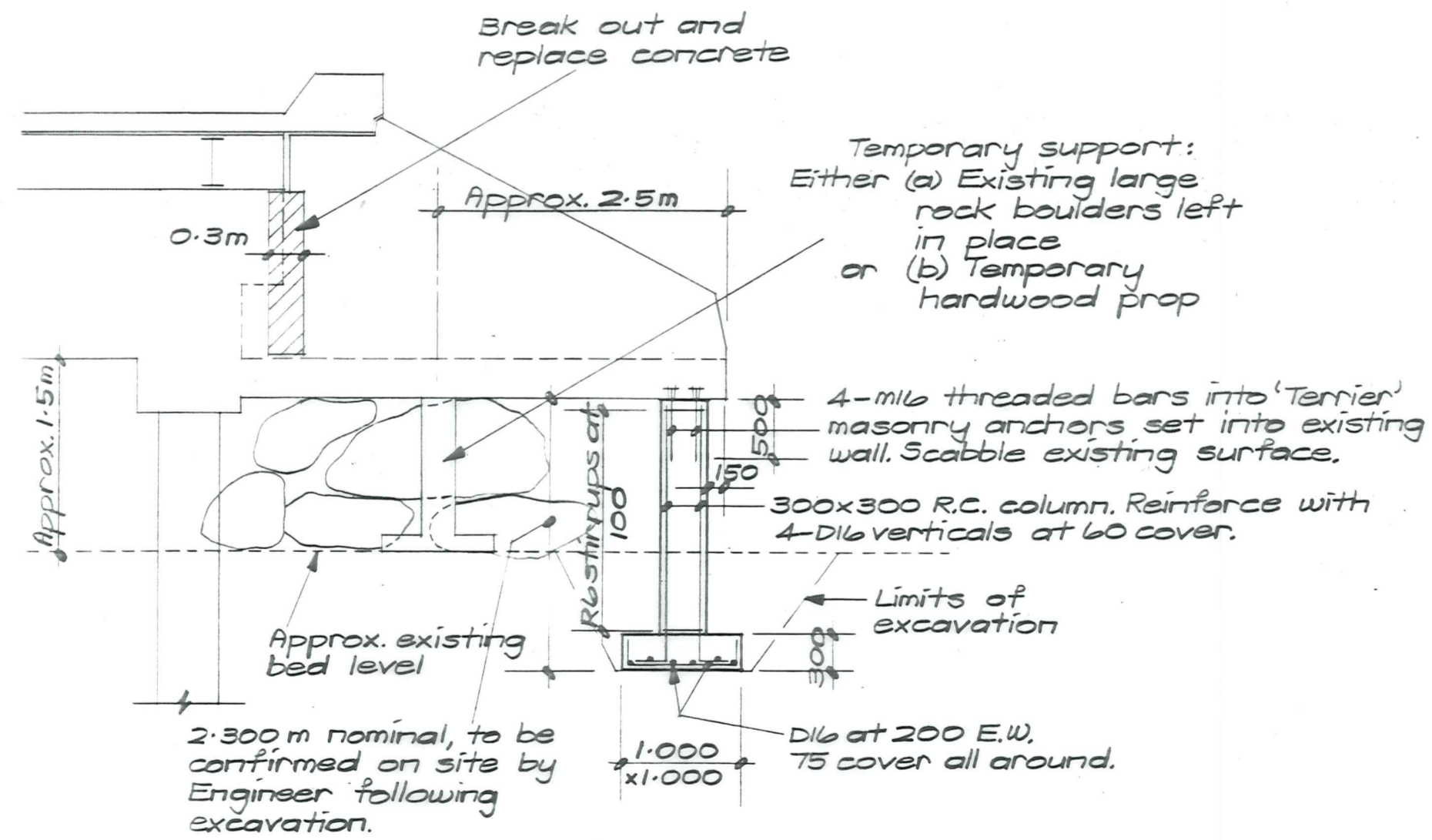
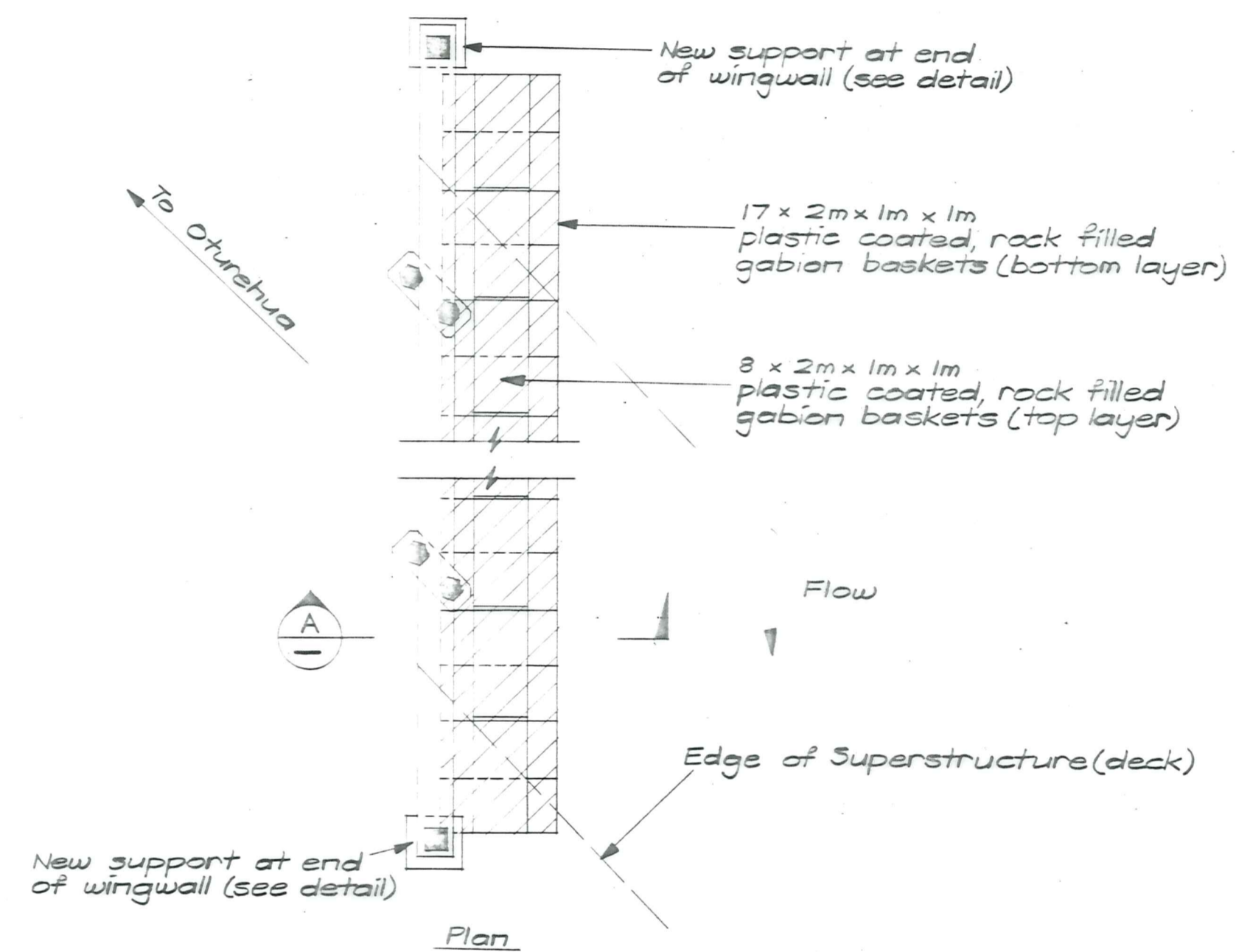


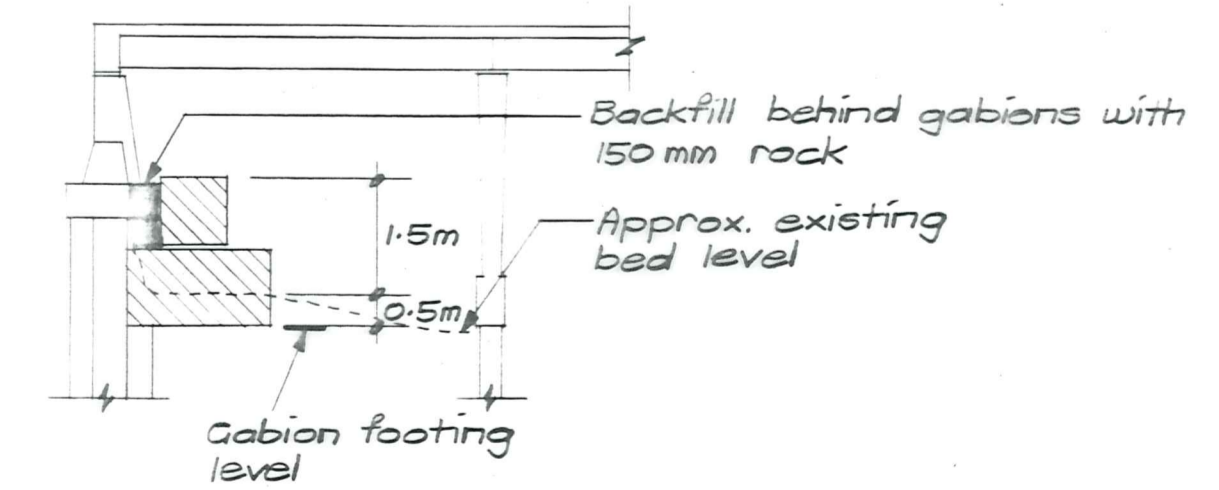
LOCALITY PLAN
1: 50,000



WINGWALL ELEVATION
1: 50



TOE EROSION PROTECTION
1: 100



SECTION A-A
1: 100

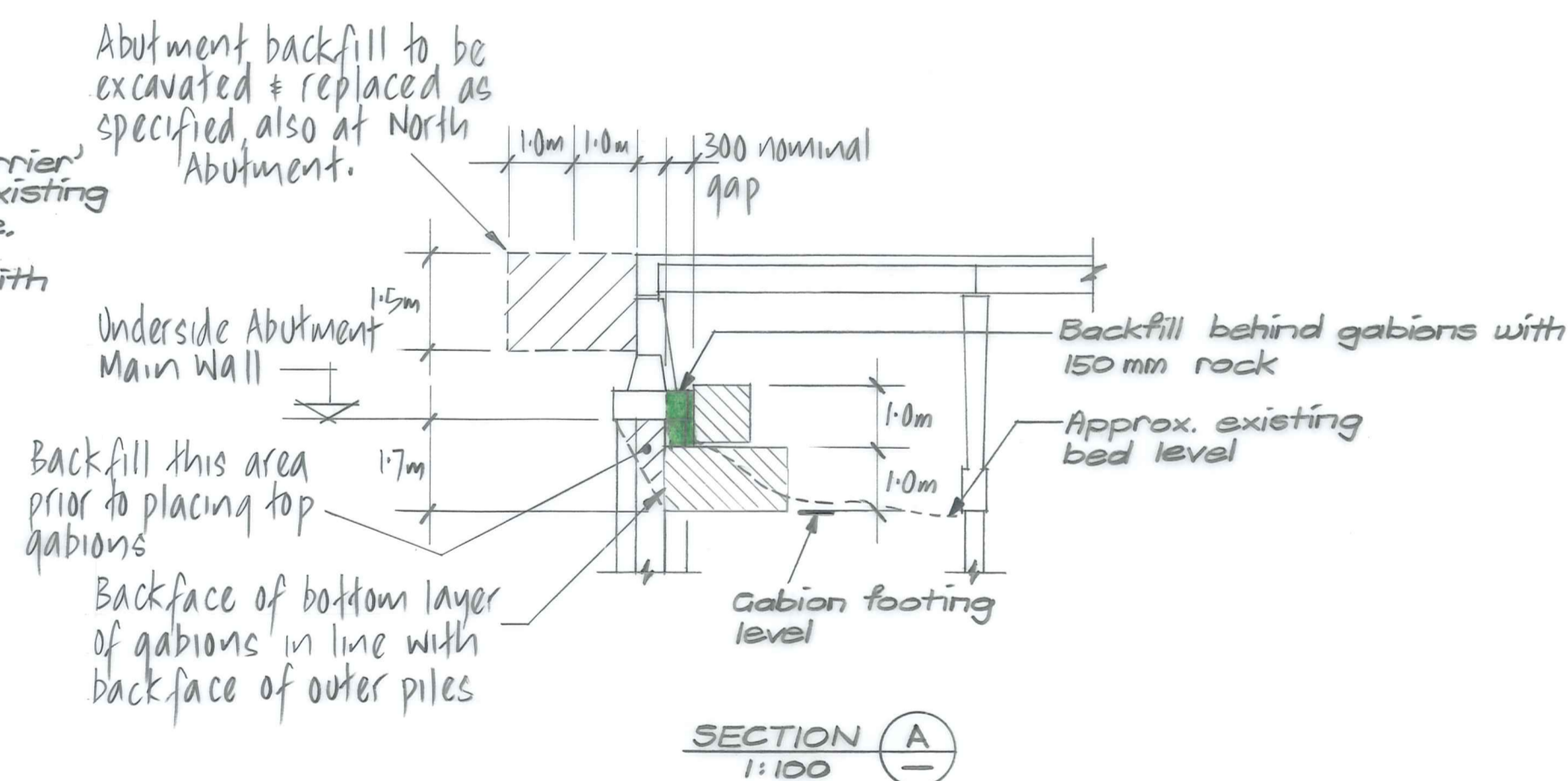
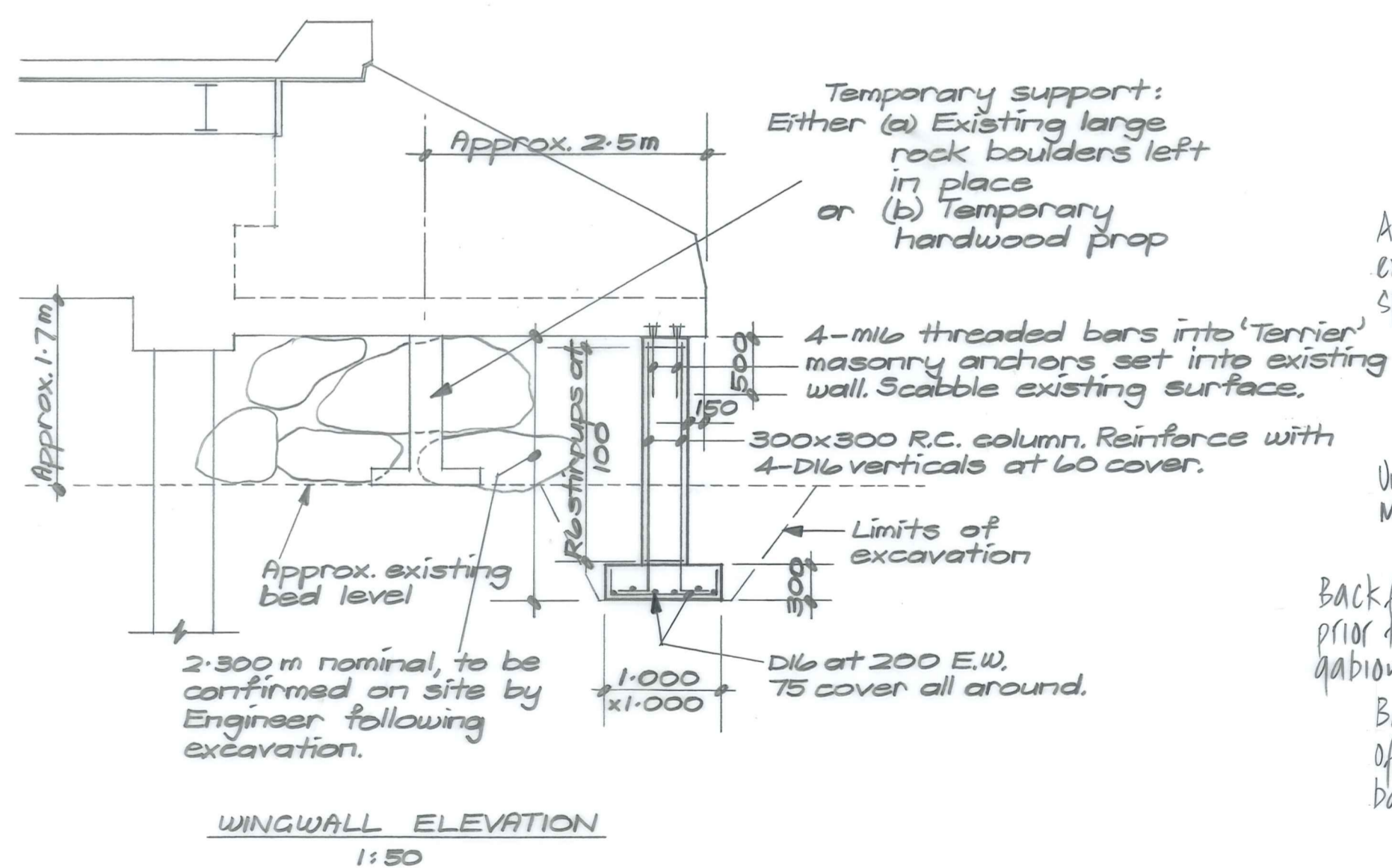
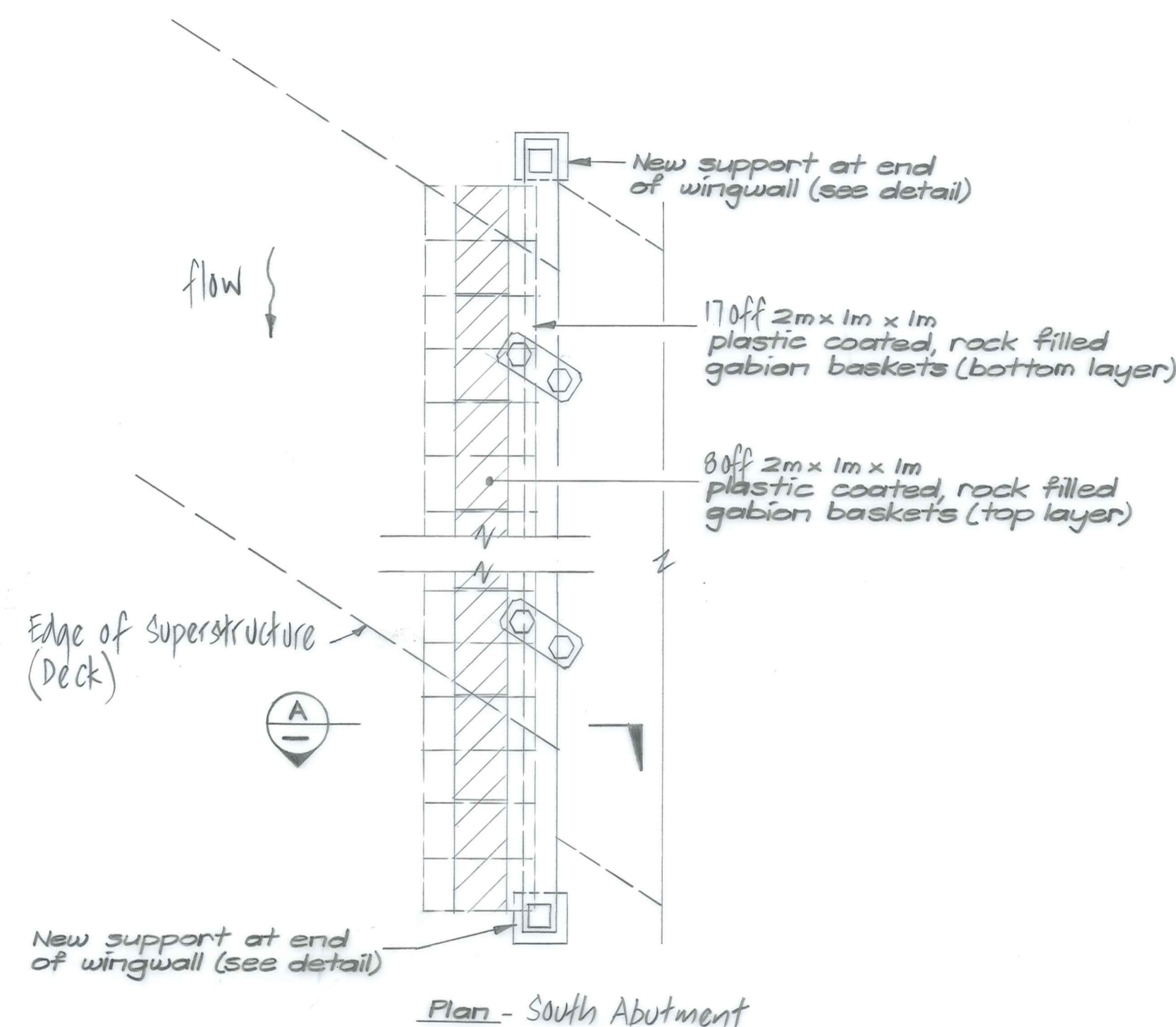
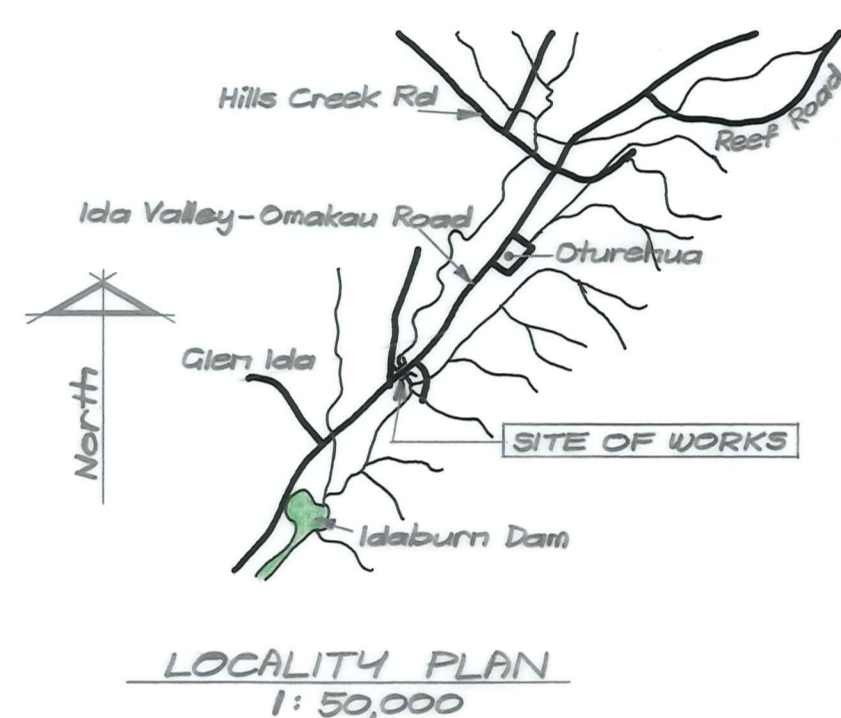
A Tender Issue		8.1.91	
No.	Revisions	Date	Appvd
Designed	P.E. Bealing	Date 12/90	Print Date
Drawn	ETM/KMF	Dec. 1990	
Checked	Paul Bealing	Jan 91	
Approved	P. Bealing	Jan 91	
File	225/16/5/3	Ref	

Client
CENTRAL OTAGO DISTRICT COUNCIL

Project
HARREX BRIDGE
IDA VALLEY- OMAKAU ROAD
ABUTMENT REPAIRS

Sheet Title
LOCALITY PLAN, PLAN,
ELEVATION & SECTION

Job No. 12767	Sheet No. 1 of 5 SHEETS	Revision A
------------------	-------------------------------	---------------



No.	Revisions	Date	Appvd
Designed	P. E. BEALING	05/91	Print Date
Drawn	J. KNOX	11/91	
Checked	S. P. ...	14/11/91	
Approved	...	14/11/91	
File	225/16/5/6	Ref	

Client
CENTRAL OTAGO DISTRICT COUNCIL

Project
**HARREX BRIDGE
IDA VALLEY - OMAKAU RD
SOUTH ABUTMENT REPAIR**

Sheet Title
**LOCALITY PLAN, ELEVATION,
ANTI-SCOUR DETAILS**

Job No. 14052	Sheet No. 1	Revision of shs
-------------------------	-----------------------	-----------------------

ORIGINAL SIZE mm