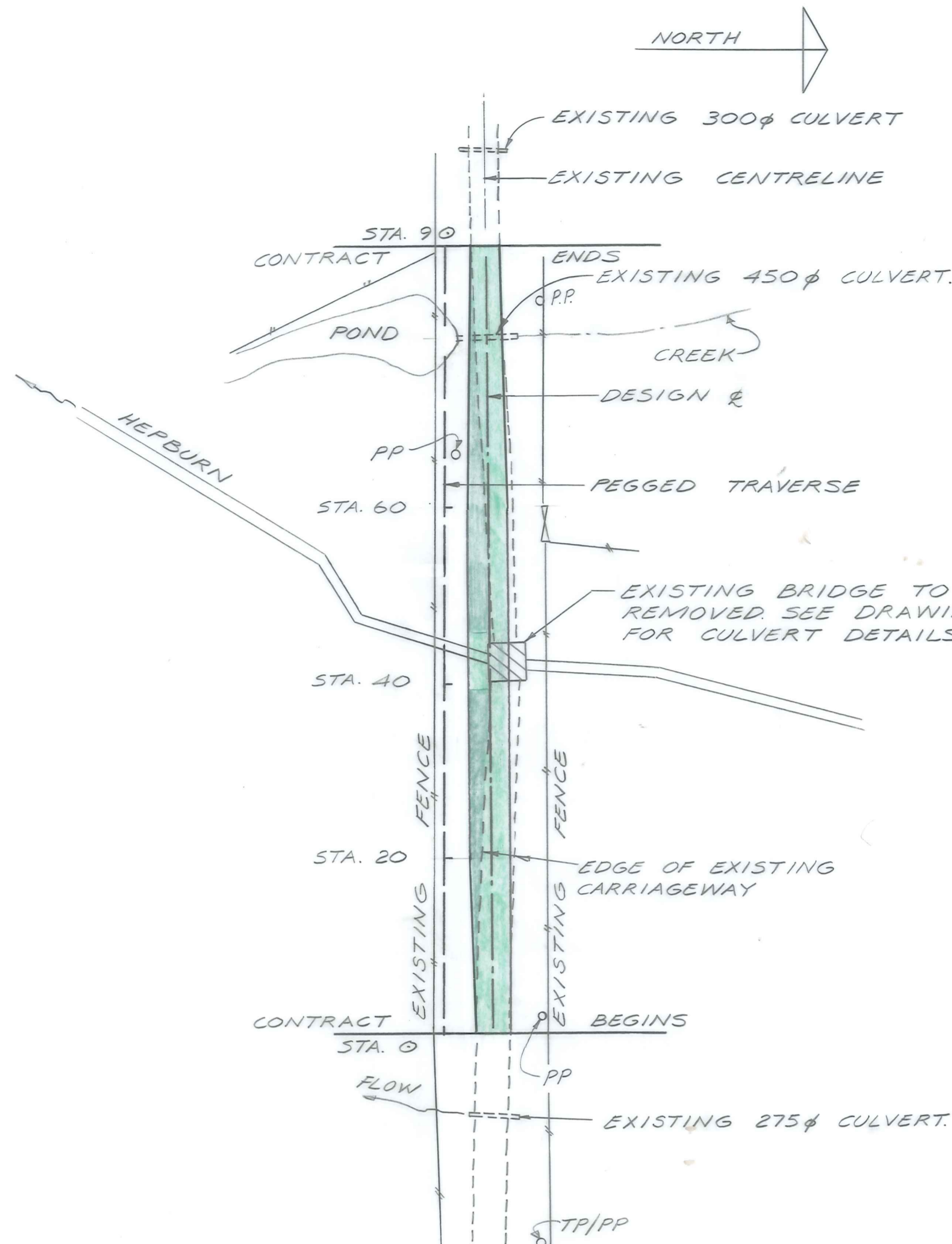
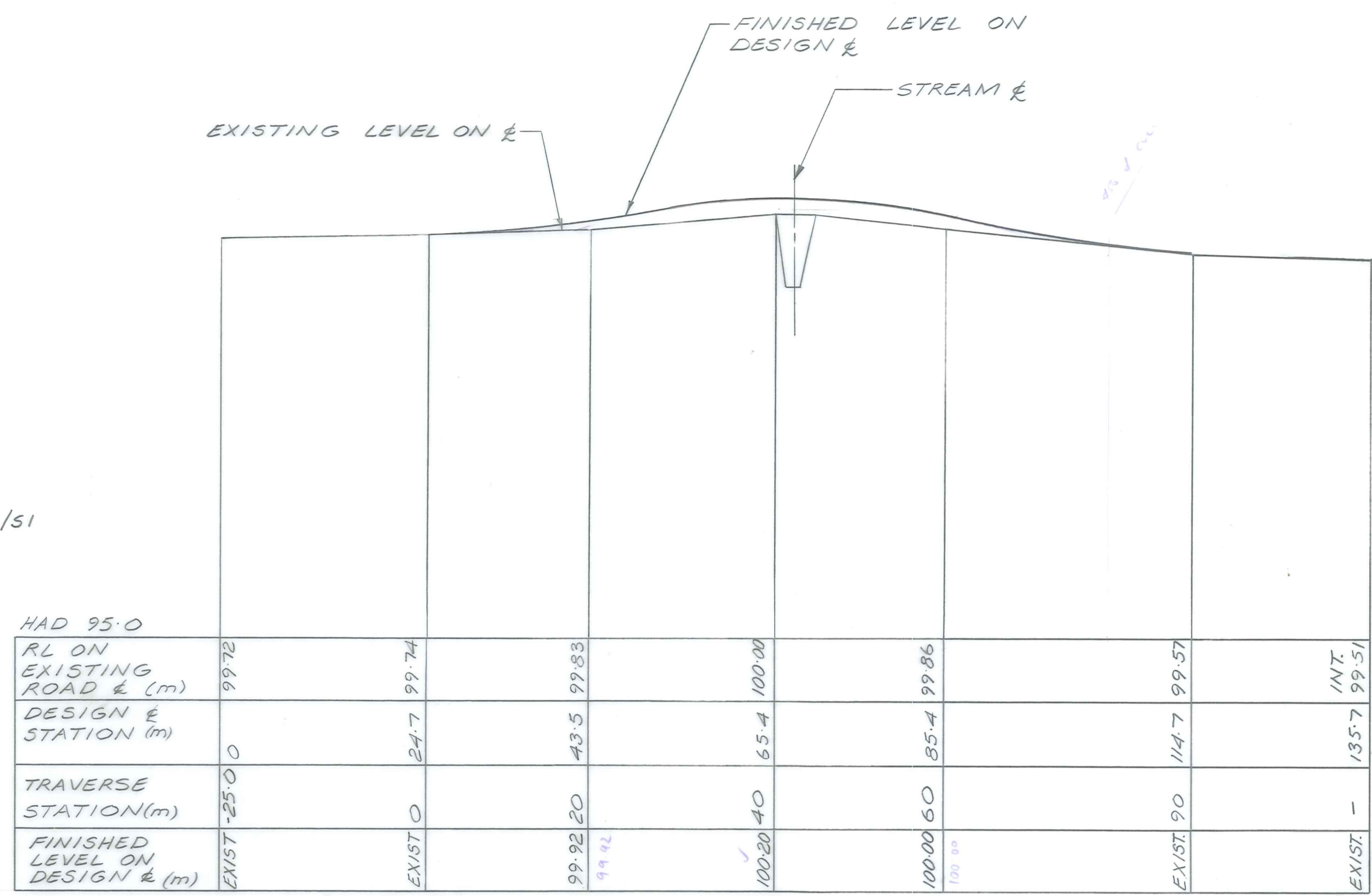


TYPICAL CROSS SECTION 1:100

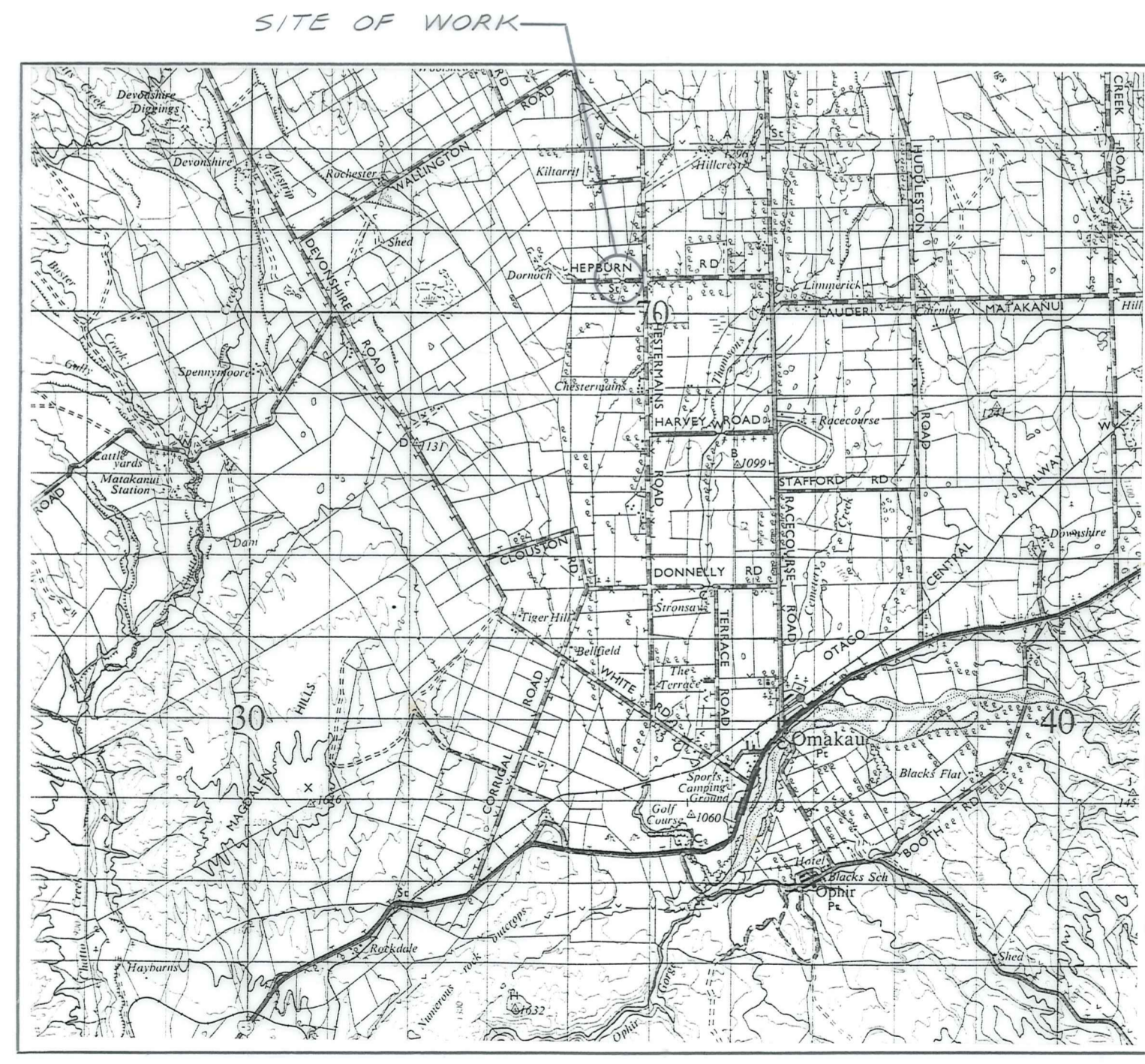


PLAN 1:500

- NOTES**
1. LEVEL DATUM ASSUMED ✓
 2. IT SHALL BE THE CONTRACTORS RESPONSIBILITY TO ASCERTAIN THE EXACT NATURE & LOCATION OF ANY UNDERGROUND SERVICES PRIOR TO EXCAVATION ✓
 3. P.P. DENOTES POWER POLE



LONGITUDINAL SECTION H:1500 V:1.50



LOCALITY PLAN 1:63360

A SHEET No. ALTERED & PROFILE RAISED			
No. Revisions	Date	Appvd	
Designed RJM	Date	Print Date	
Drawn RJM	9/1/91		
Checked M. J. [Signature]	4/91		
Approved [Signature]	26/1/91		
File 225/16/6/1	Ref CODC 575		

Client

CENTRAL OTAGO DISTRICT COUNCIL

Project

HEPBURN BRIDGE REPLACEMENT.

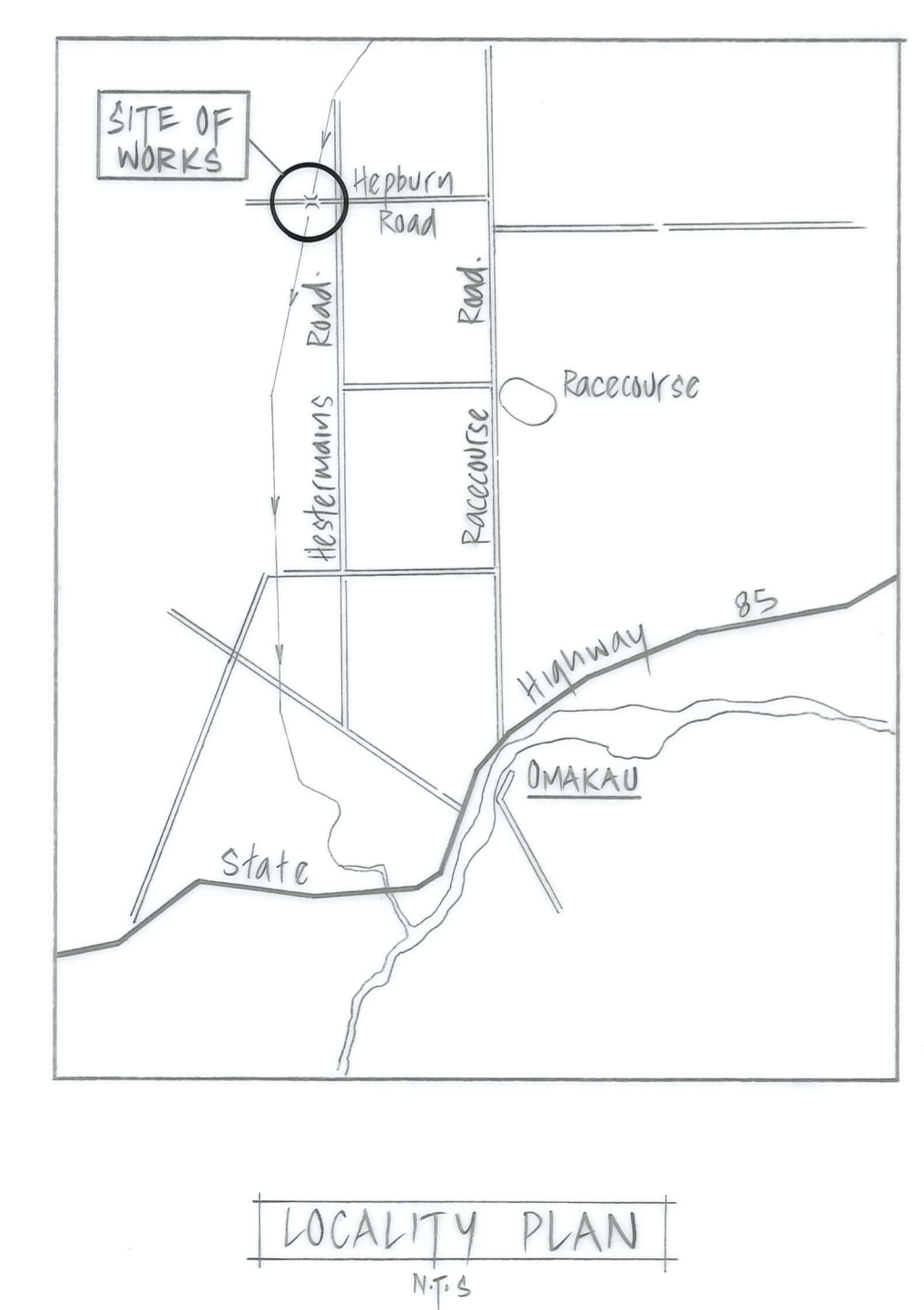
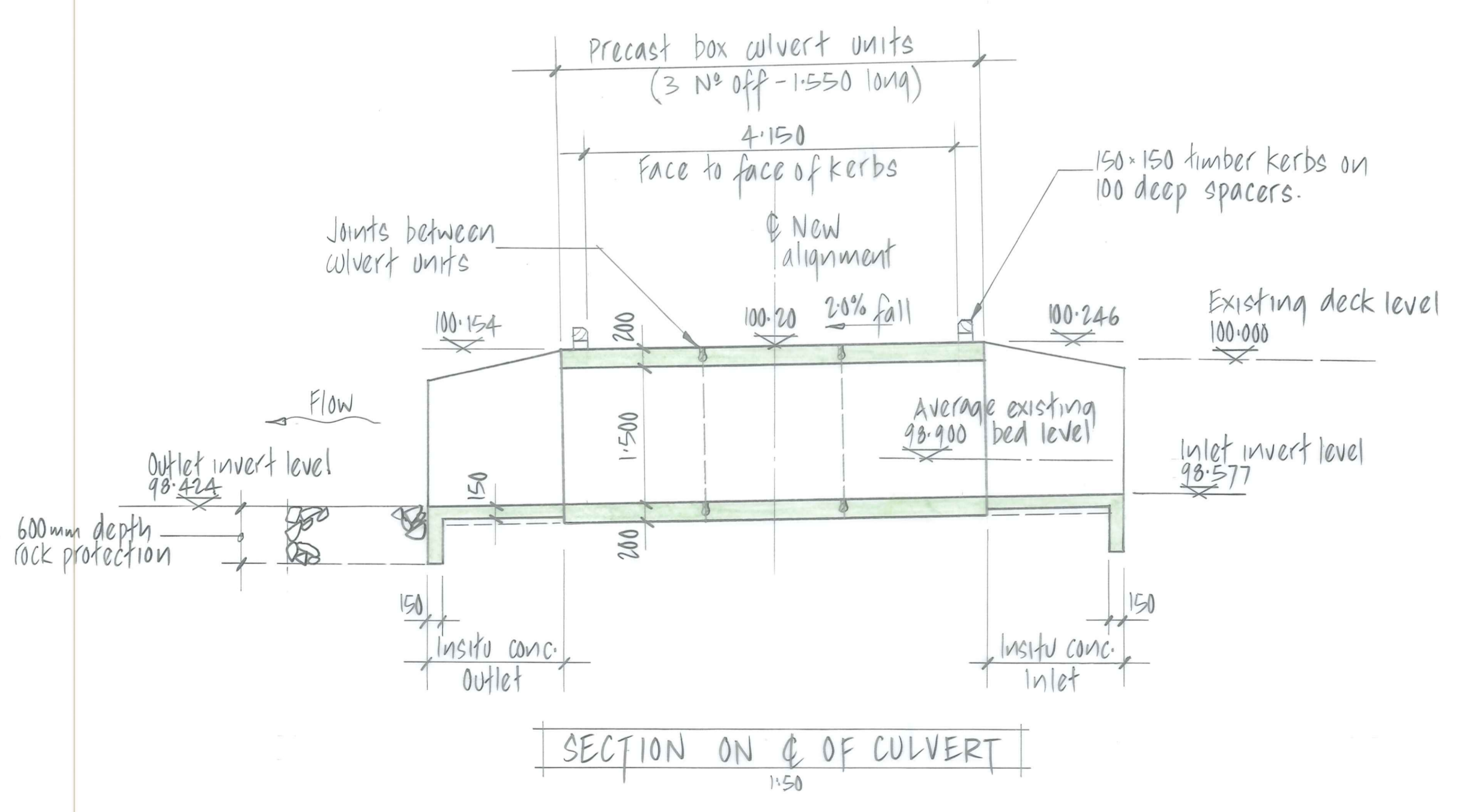
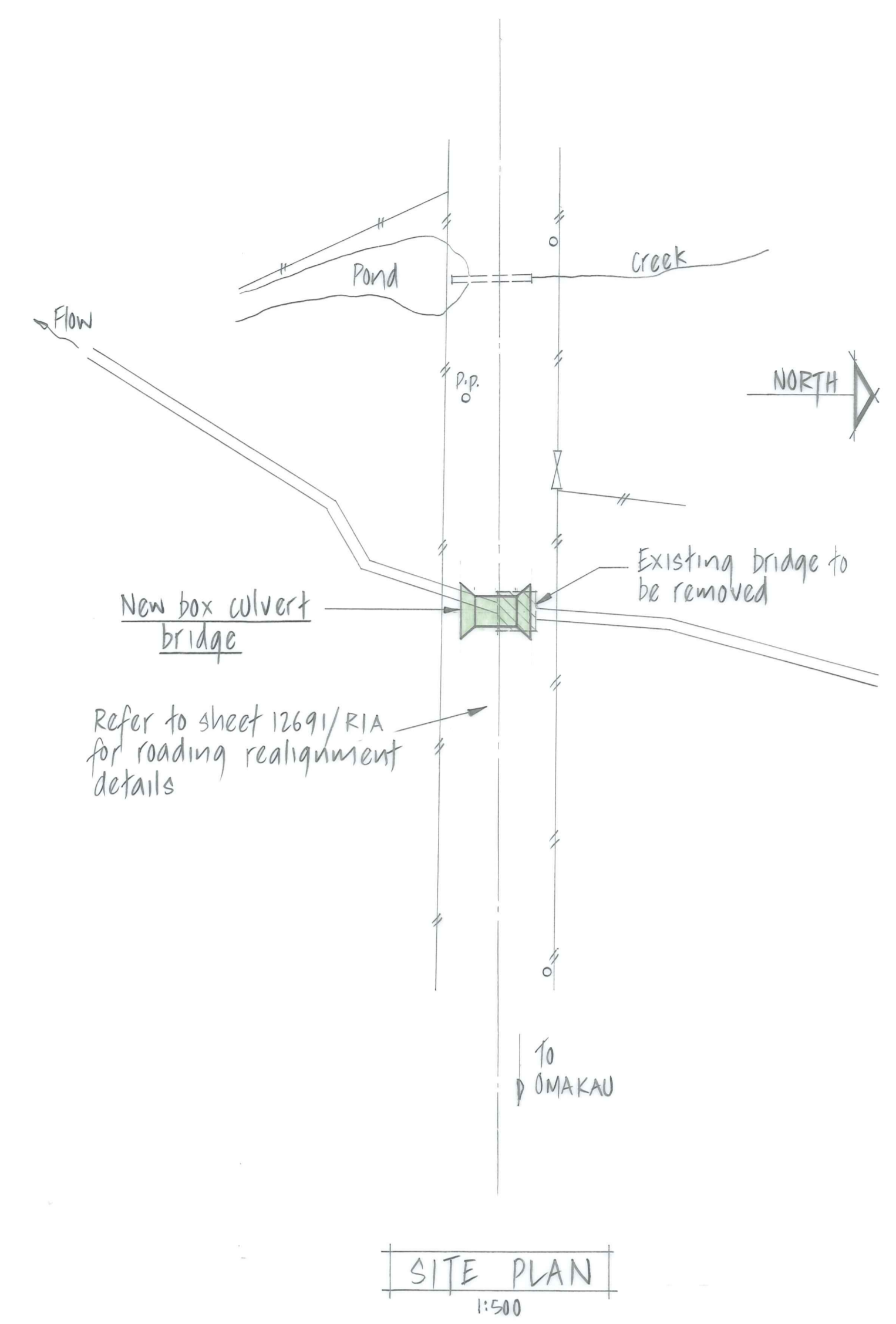
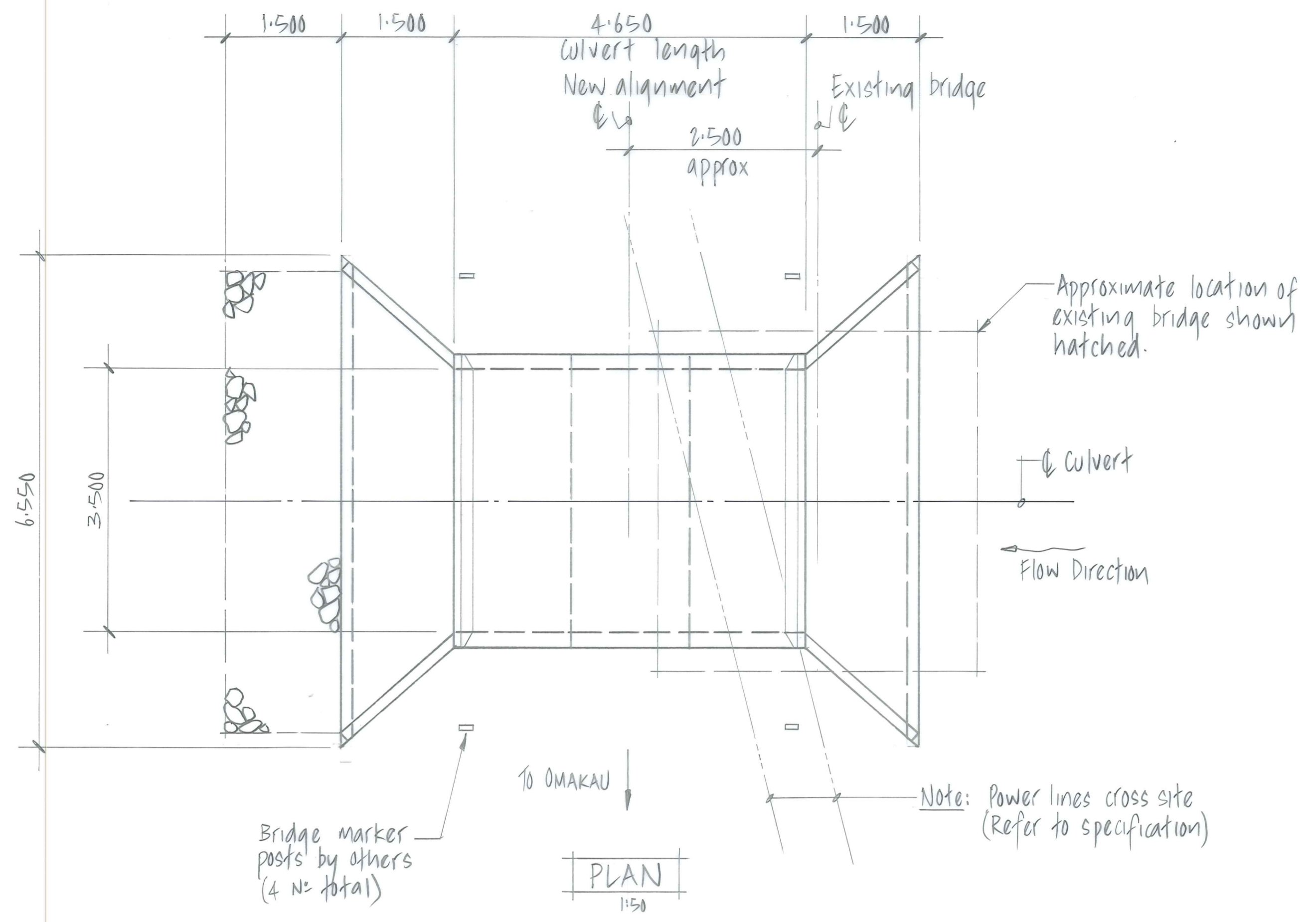
CONTRACT No 90/126

Sheet Title

LOCALITY PLAN & ROADING DETAILS

Job No.	Sheet No.	Revision
12691	R1	A
	of	shts

Duffill Watts & King Ltd
CONSULTING ENGINEERS



No.	Revisions	Date	Appvd
Designed	W.J. BEEKHUIS	APRIL '91	Print Date
Drawn	J. KNOX	" "	" "
Checked	W. Beckhuis	20/4/91	
Approved	Charlie	25/4/91	
File	225/16/6/1	Ref	

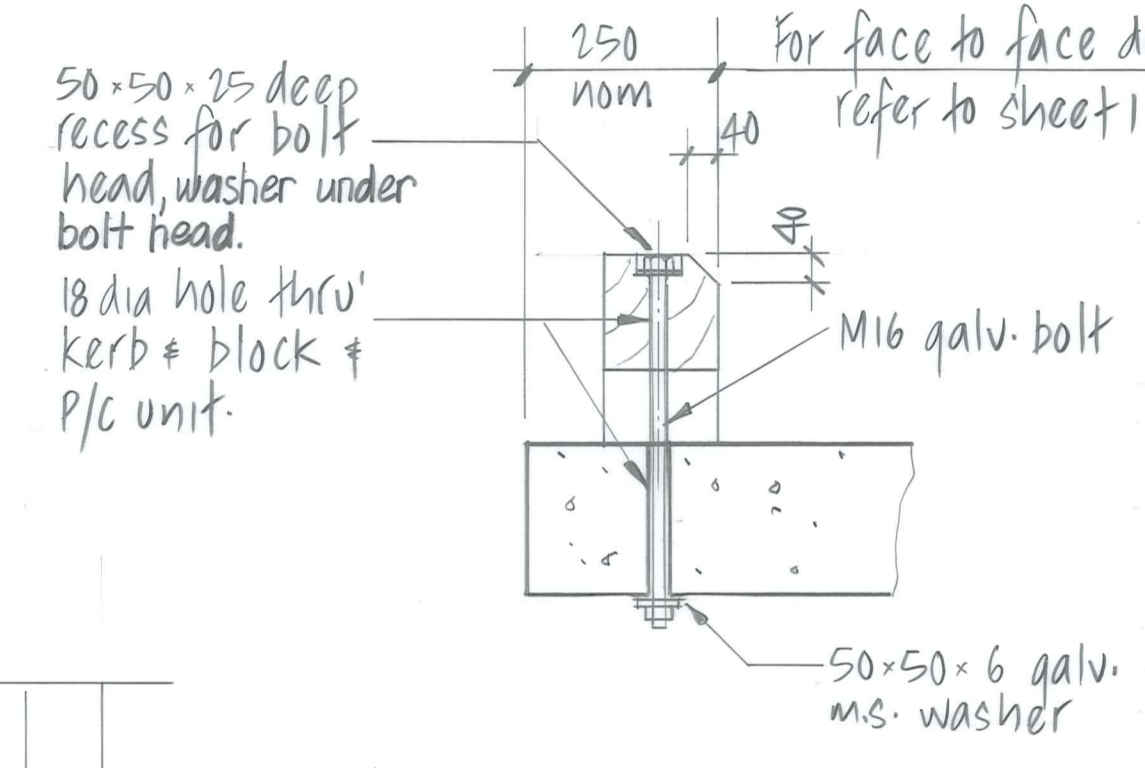
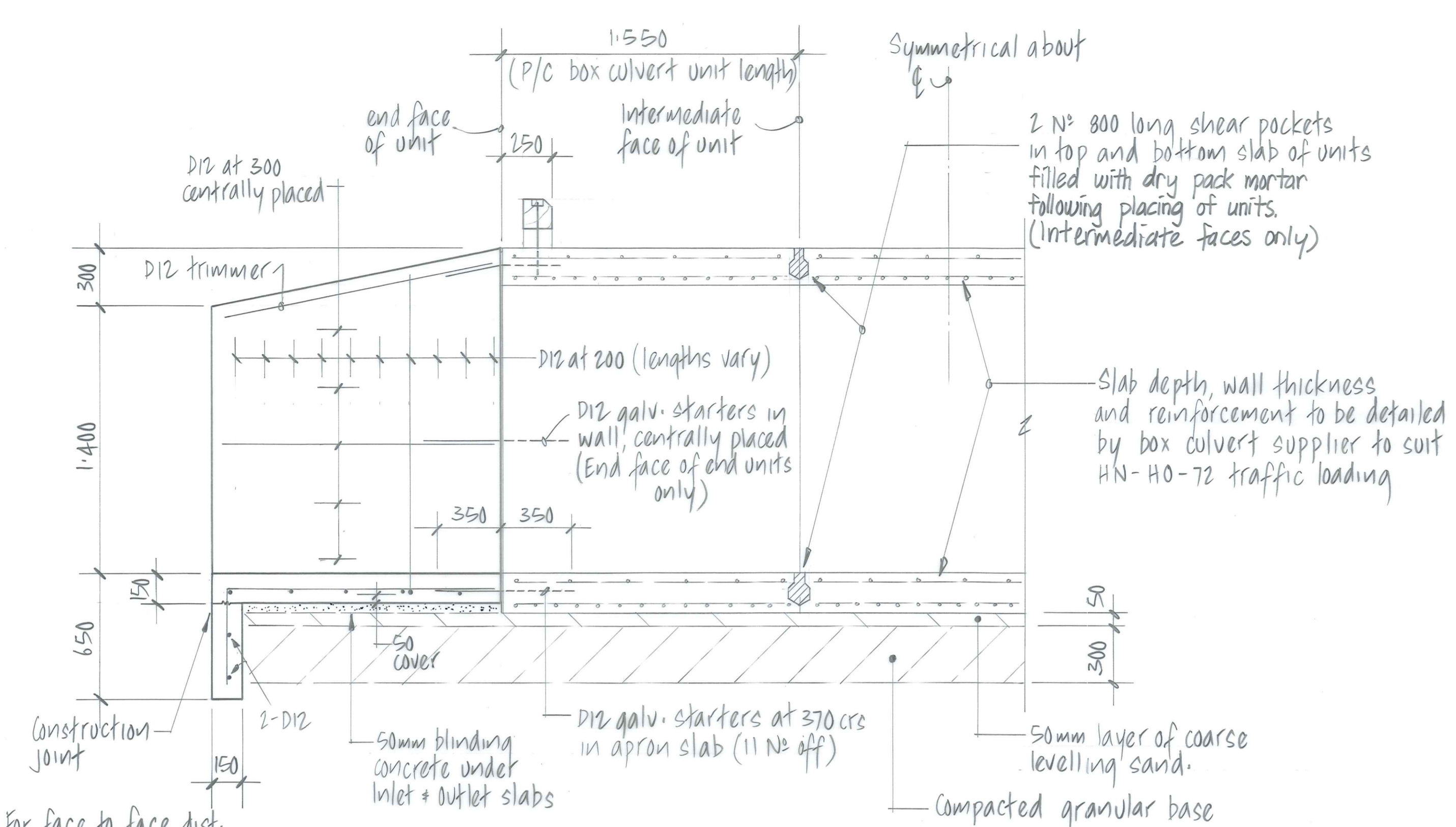
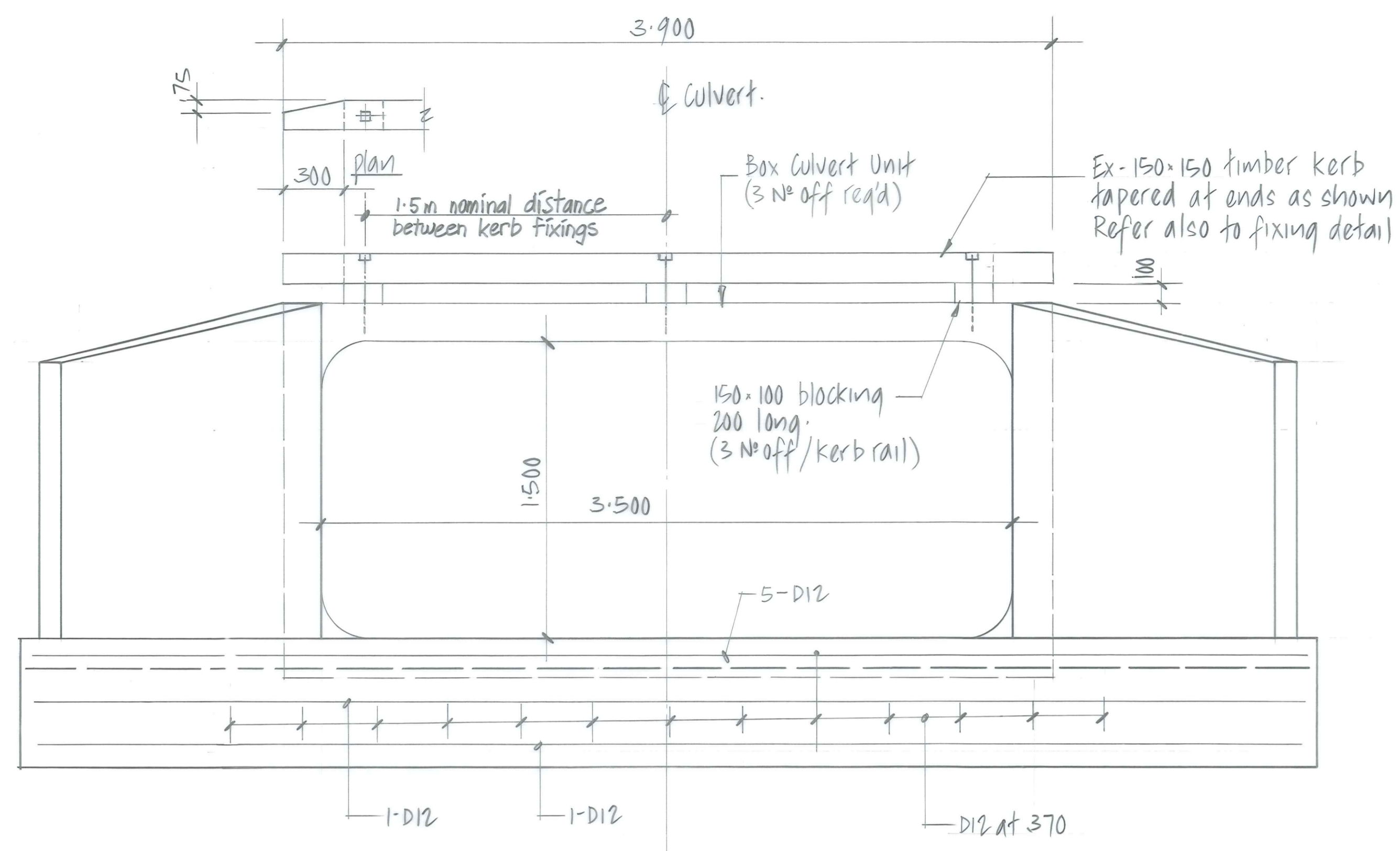
Client
CENTRAL OTAGO DISTRICT COUNCIL

Project
HEPBURN ROAD BRIDGE REPLACEMENT

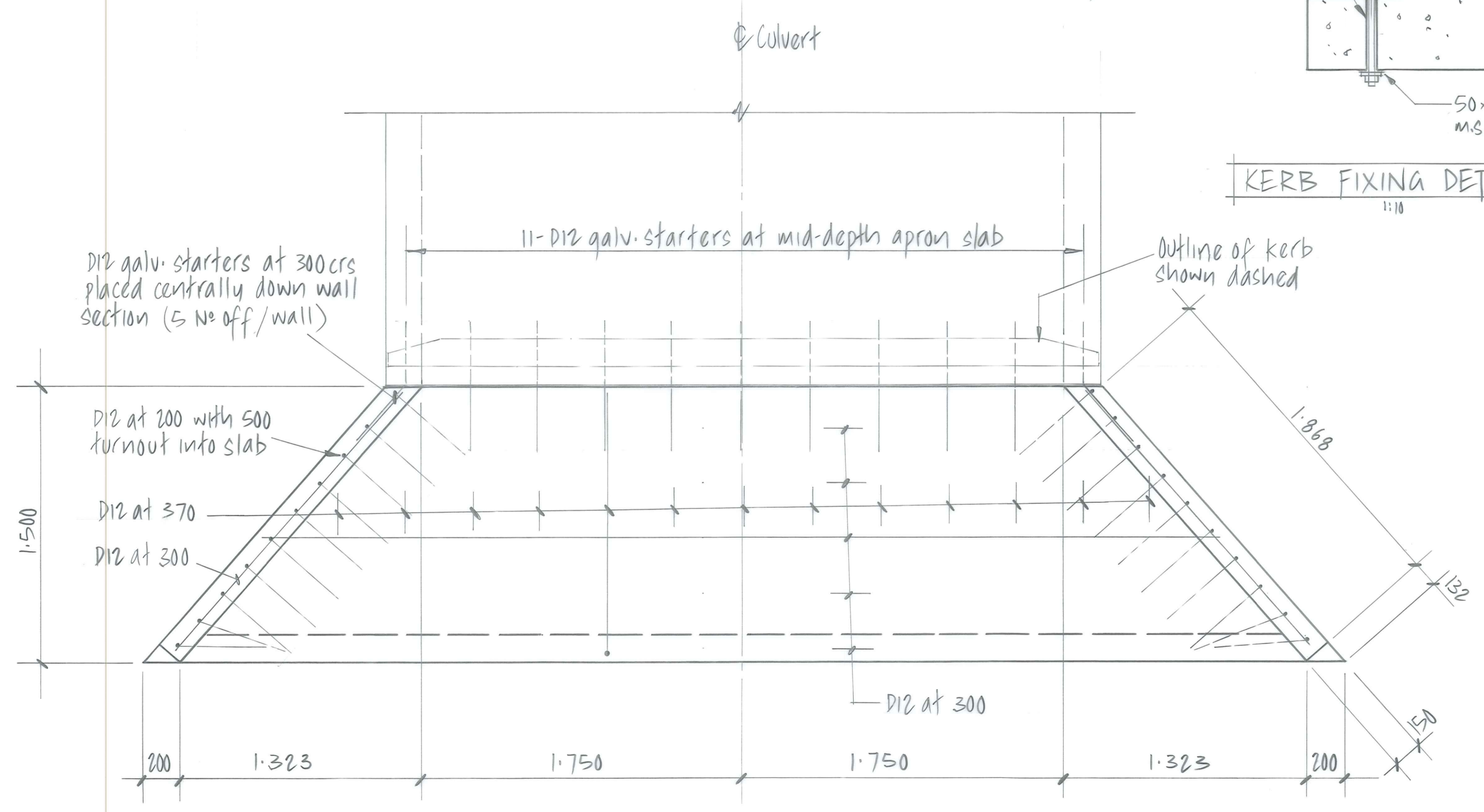
Sheet Title
GENERAL ARRANGEMENT

Job No. 12691	Sheet No. S1	Revision of sheets
-------------------------	------------------------	-----------------------

ORIGINAL SIZE mm



Notes:
1/ Concrete to have the following crushing strengths at 28 days:
a) In-situ structural concrete — 25 MPa
b) Blinding concrete — 10 MPa
2/ Exposed edges of in-situ concrete shall be chamfered 20mm x 20mm



No.	Revisions	Date	Appvd
Designed	W.J. BEEKHUIS	Date APRIL 91	Print Date
Drawn	J. KNOX	11 11	
Checked	W. BEEKHUIS	26/4/91	
Approved	Public	26/4/91	
File	225/16/6/1	Ref	

Client
CENTRAL OTAGO DISTRICT COUNCIL

Project
HEPBURN ROAD BRIDGE REPLACEMENT

Sheet Title
STRUCTURAL DETAILS

Job No. 12691	Sheet No. S2	Revision of shts
-------------------------	------------------------	---------------------

ORIGINAL SIZE mm
0 10 30 50 100 150 200 300