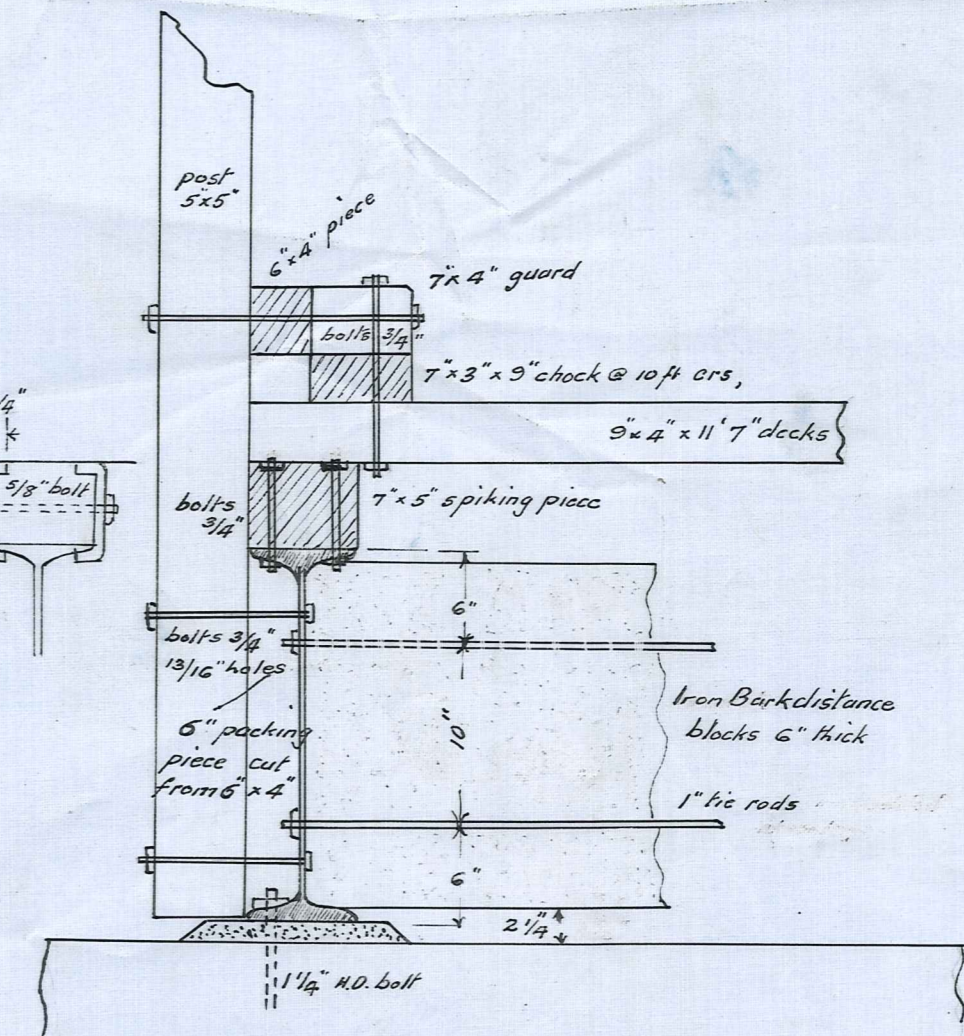
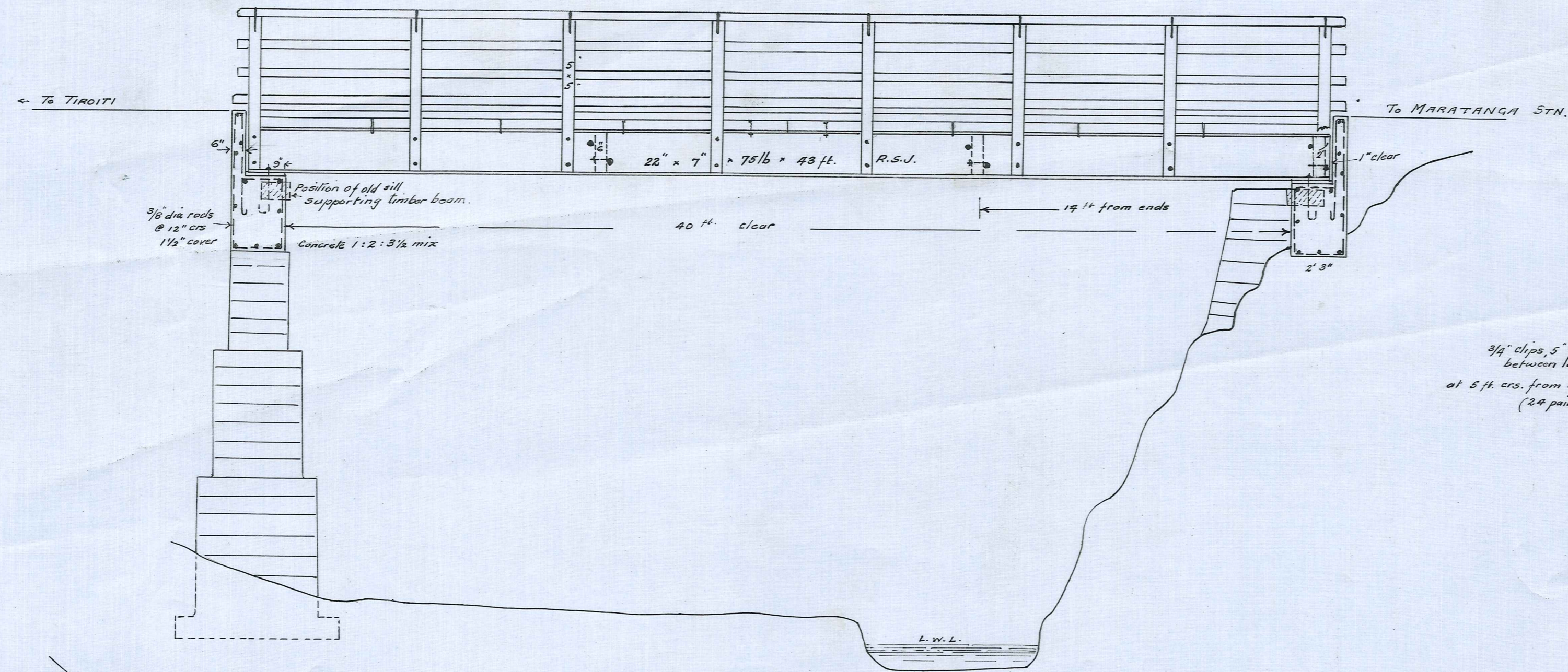
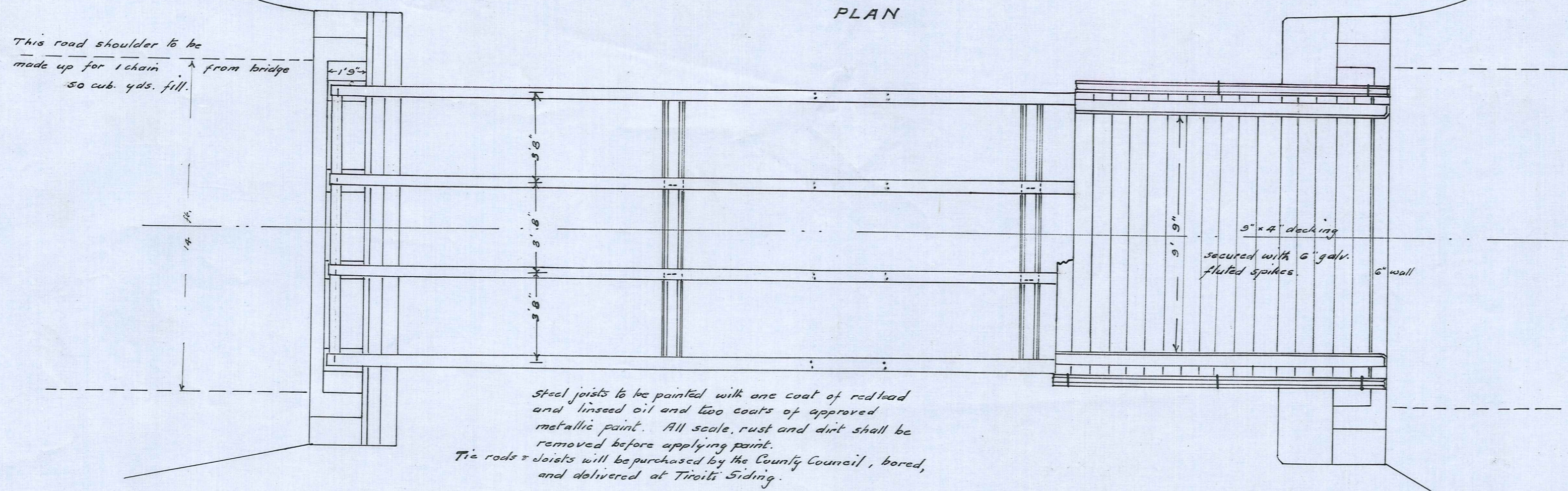


ELEVATION

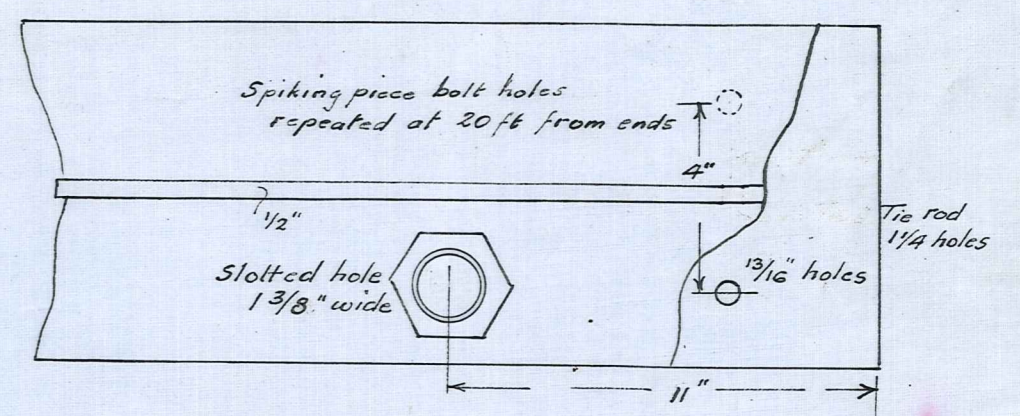


DETAIL AT END POST

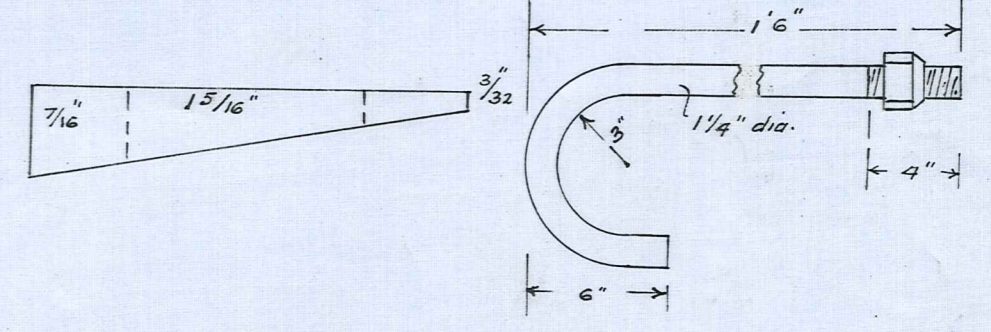
PLAN



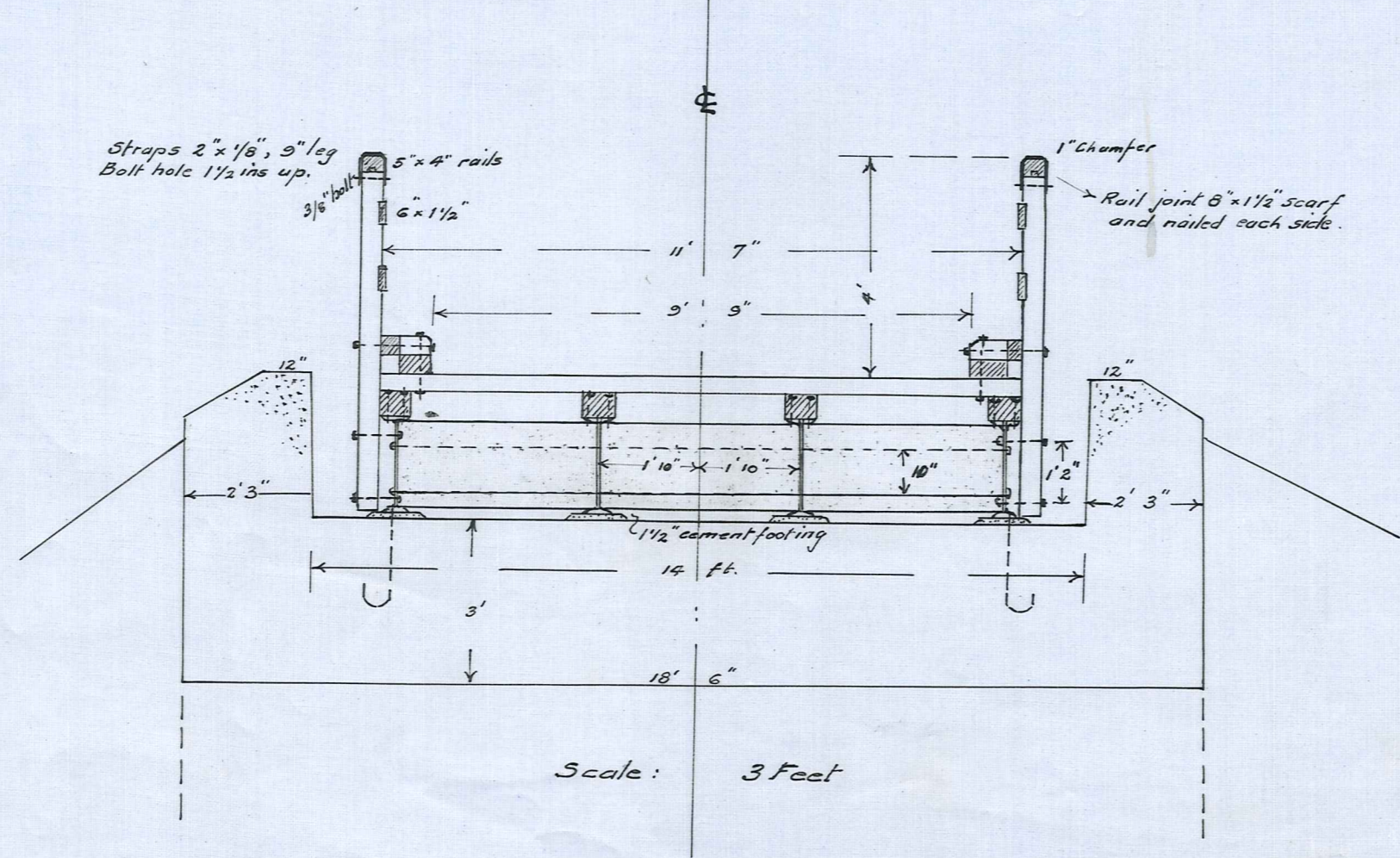
Steel joints to be painted with one coat of red lead and linseed oil and two coats of approved metallic paint. All scale, rust and dirt shall be removed before applying paint. The rods & joints will be purchased by the County Council, bored, and delivered at Tiroiti Siding.



H.D. BOLT & WASHER (4 of)

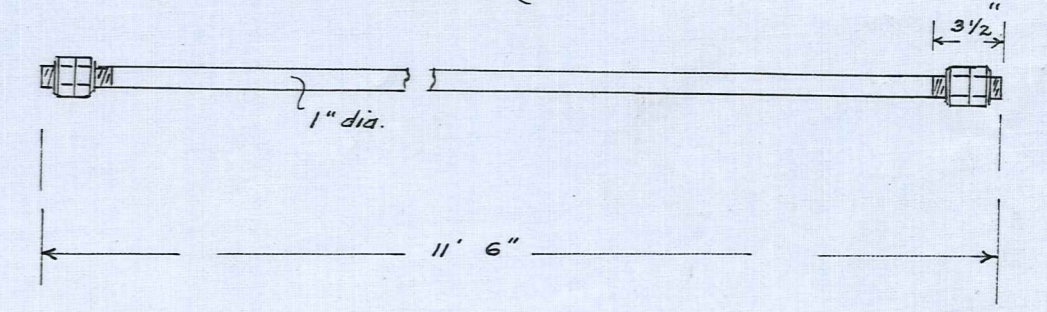


SECTION AT END



Scale: 3 Feet

TIE ROD (8 of)



CONTRACT No 301
HORSEBURN BRIDGE REDECK
MANIOTOTO AND WAIHEMO COS.

M.C.C. 137

Between Secs. 14 & 22 Block III, Rock & Pillar

Scale: 1 Inch = 4 Feet

Horseburn Rd - Redeck

137/105

R. J. Black
County Engr.
5-9-38.