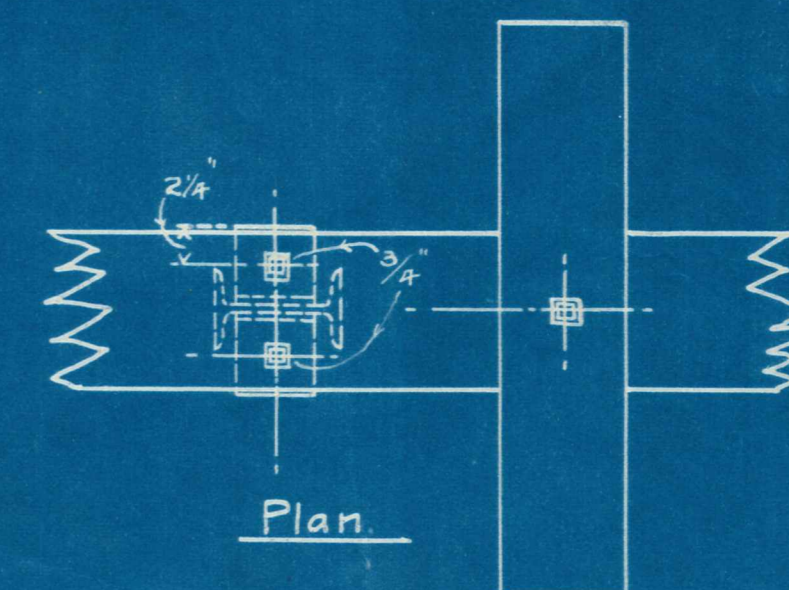
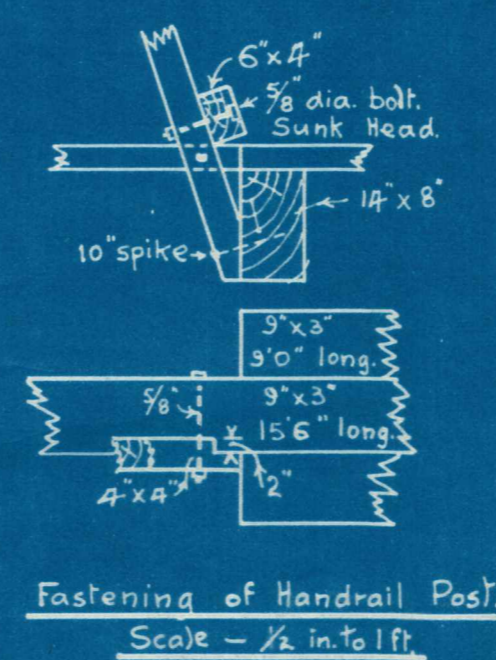
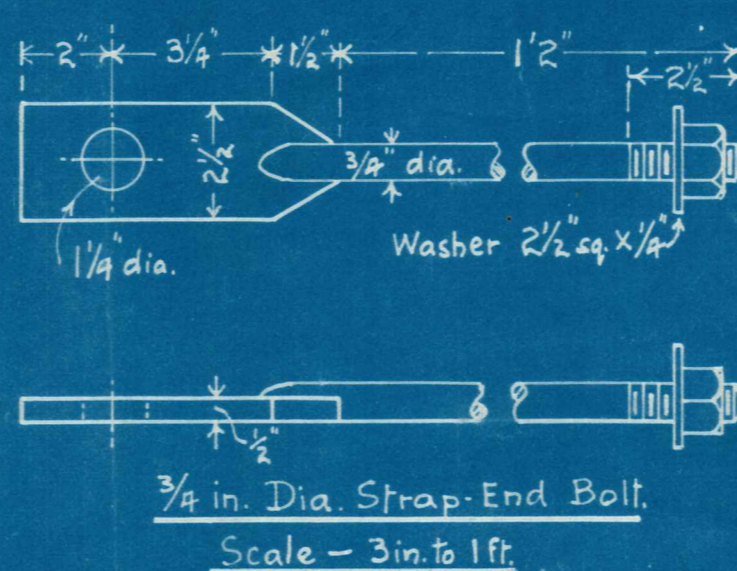
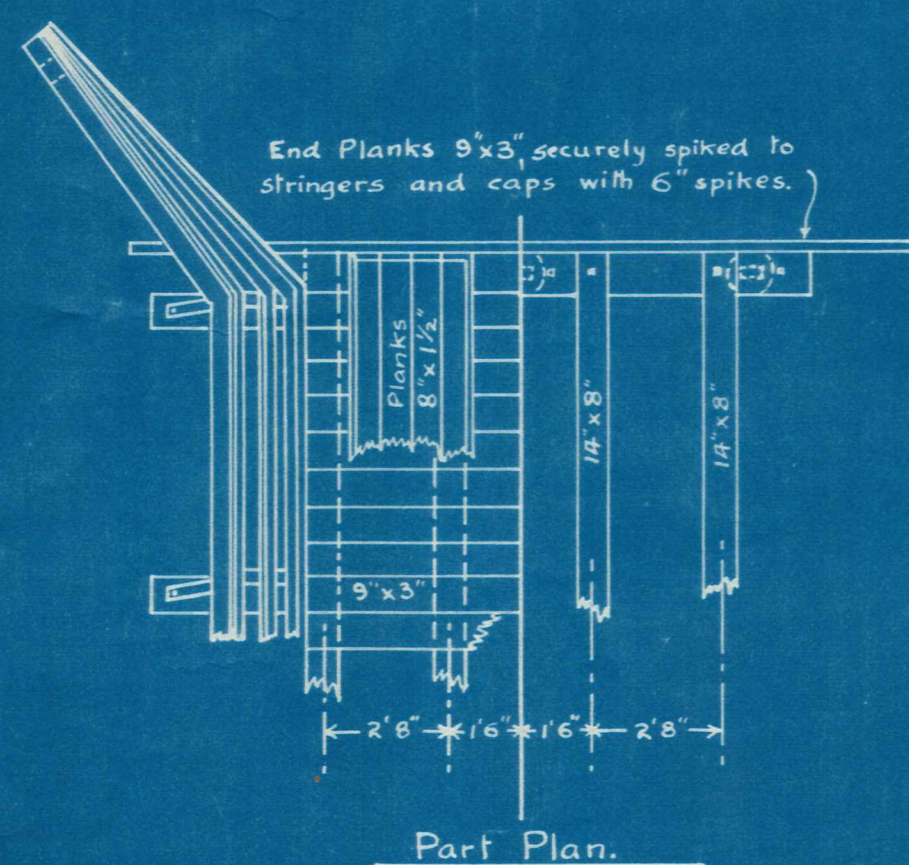
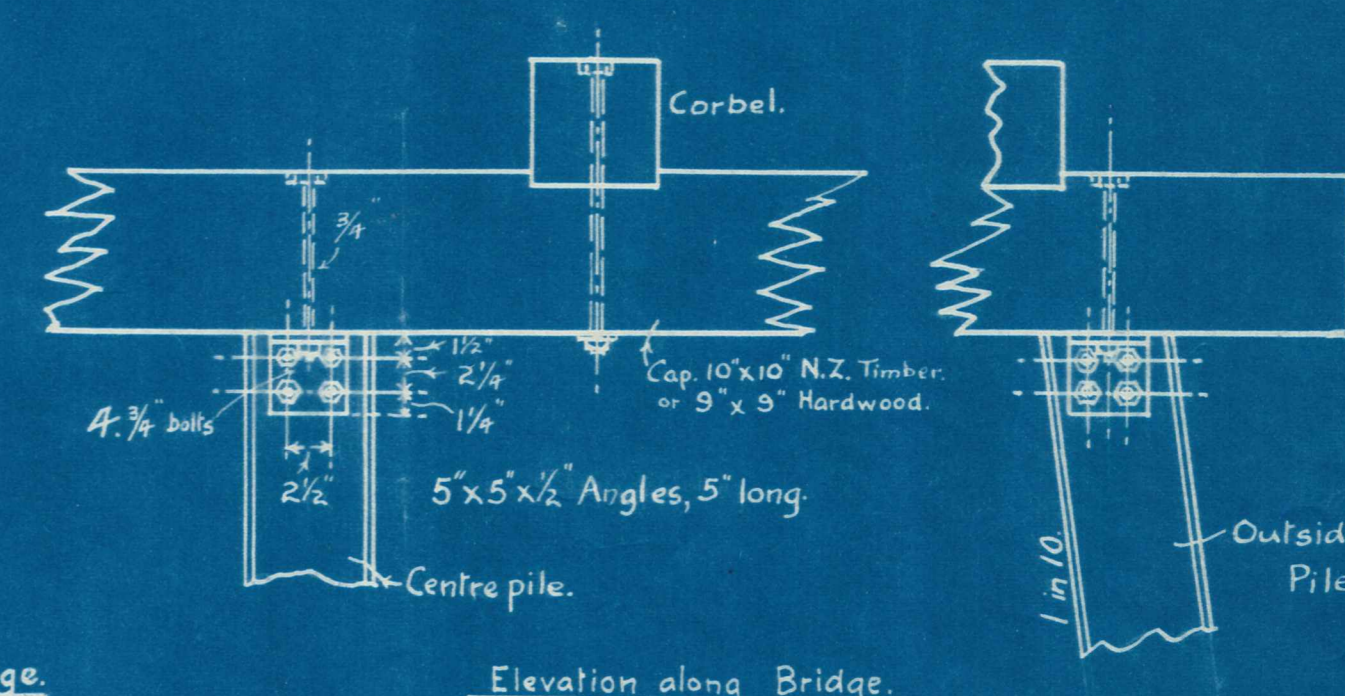
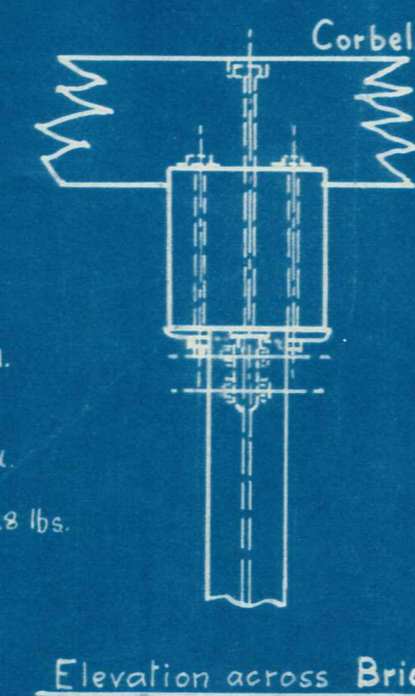
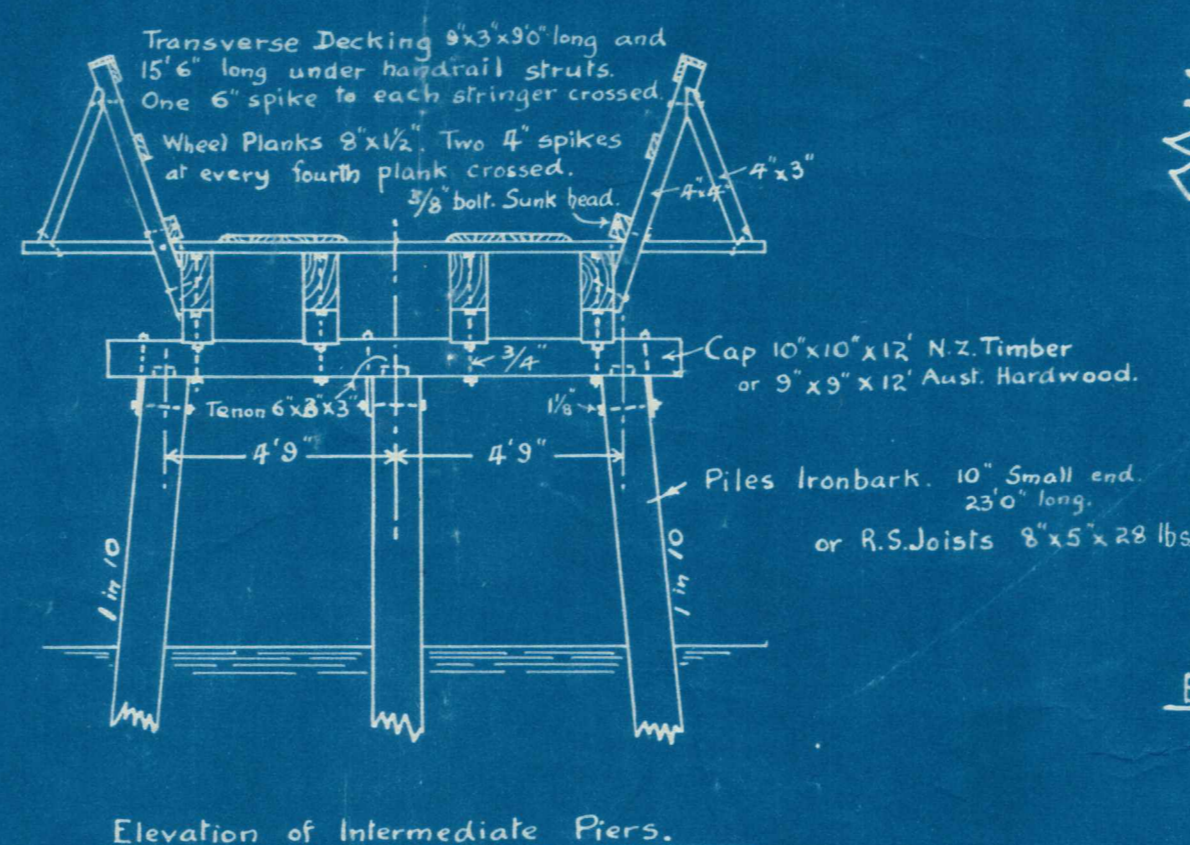
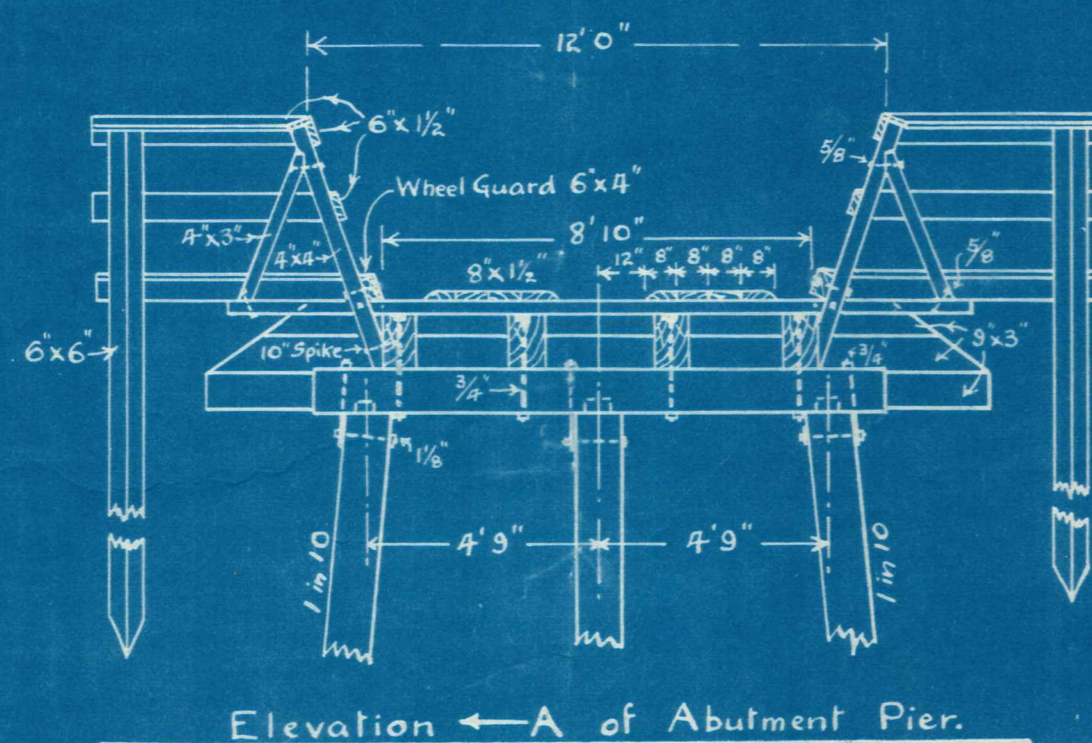
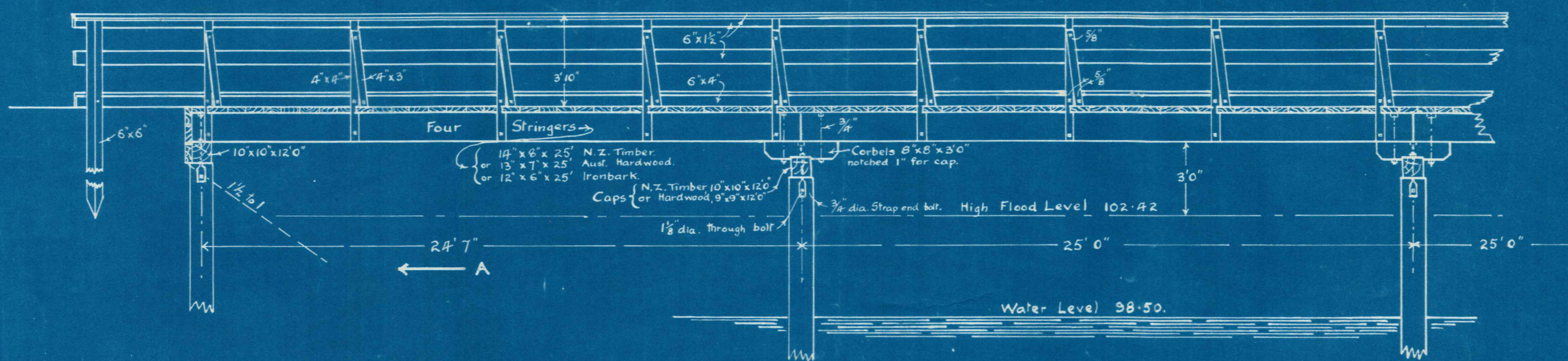
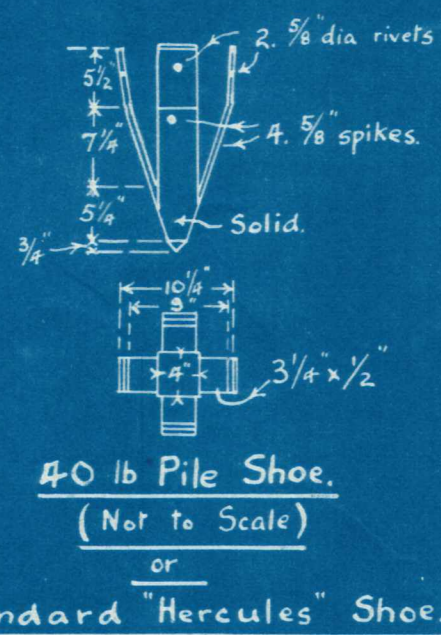


VICKERMAN & LANCASTER
WELLINGTON

<p>LINDIS RIVER BRIDGE AT ARDGOUR SCALE - 20 FT. TO AN INCH.</p>		<p>Drawn by L.G.G. Traced by L.G.G. Additions A.T.S.</p>	<p>11.2.27. 18.10.27.</p>
<p>REFERENCE</p>	<p>DRAWING NO.</p>	<p>686.</p>	

4412



Design of Caps for R.S.J. Piles.
Scale - 1 in. to 1 ft.

Details of Abutments.

LINDIS RIVER BRIDGE AT ARDGOUR.

Scale - 1/4 in. to 1 ft. Except where shown otherwise.

Drawn by Traced by	<i>W. H. ...</i>	#/10/27.
Reference.	Drawing No.	
	686.	