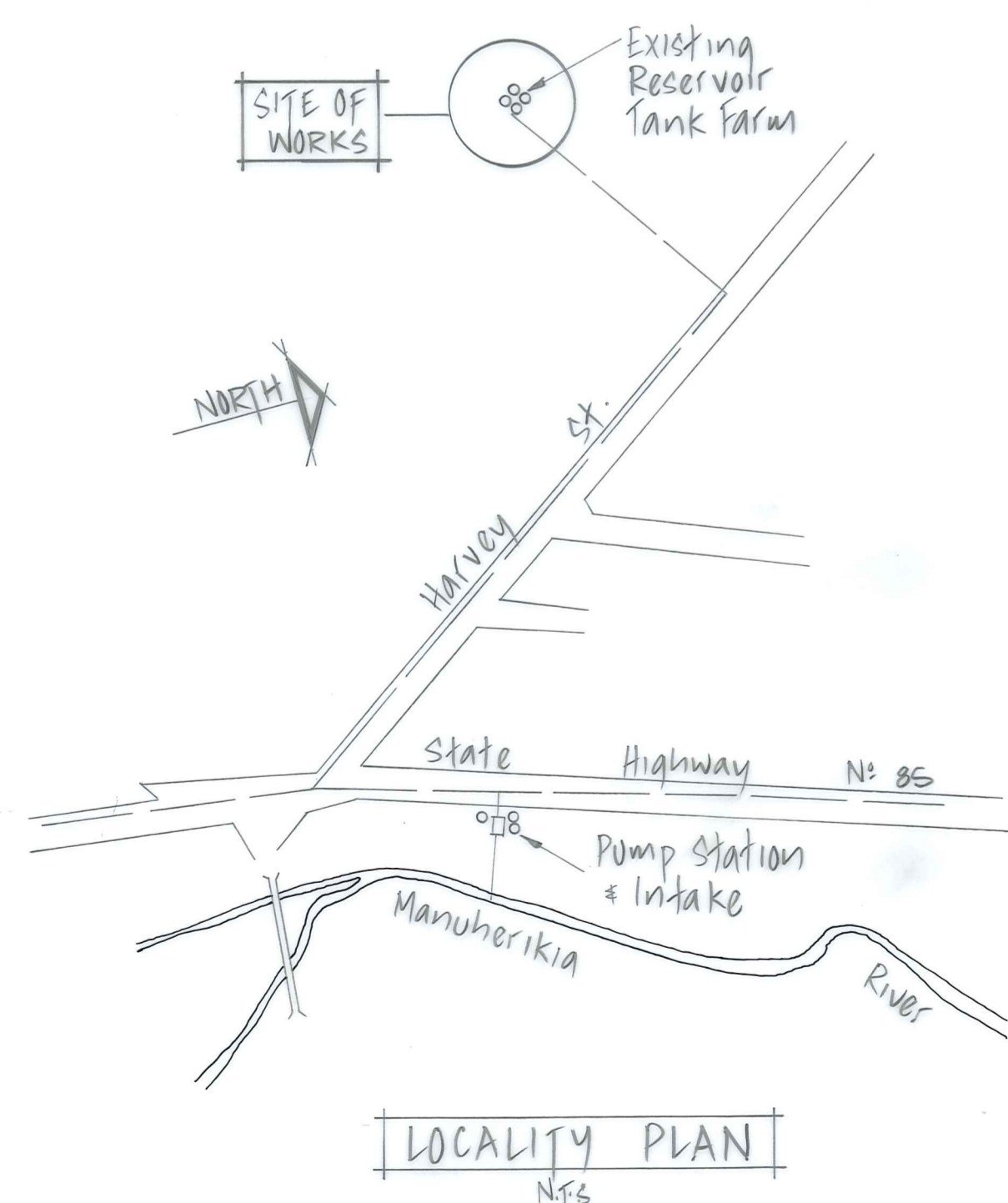
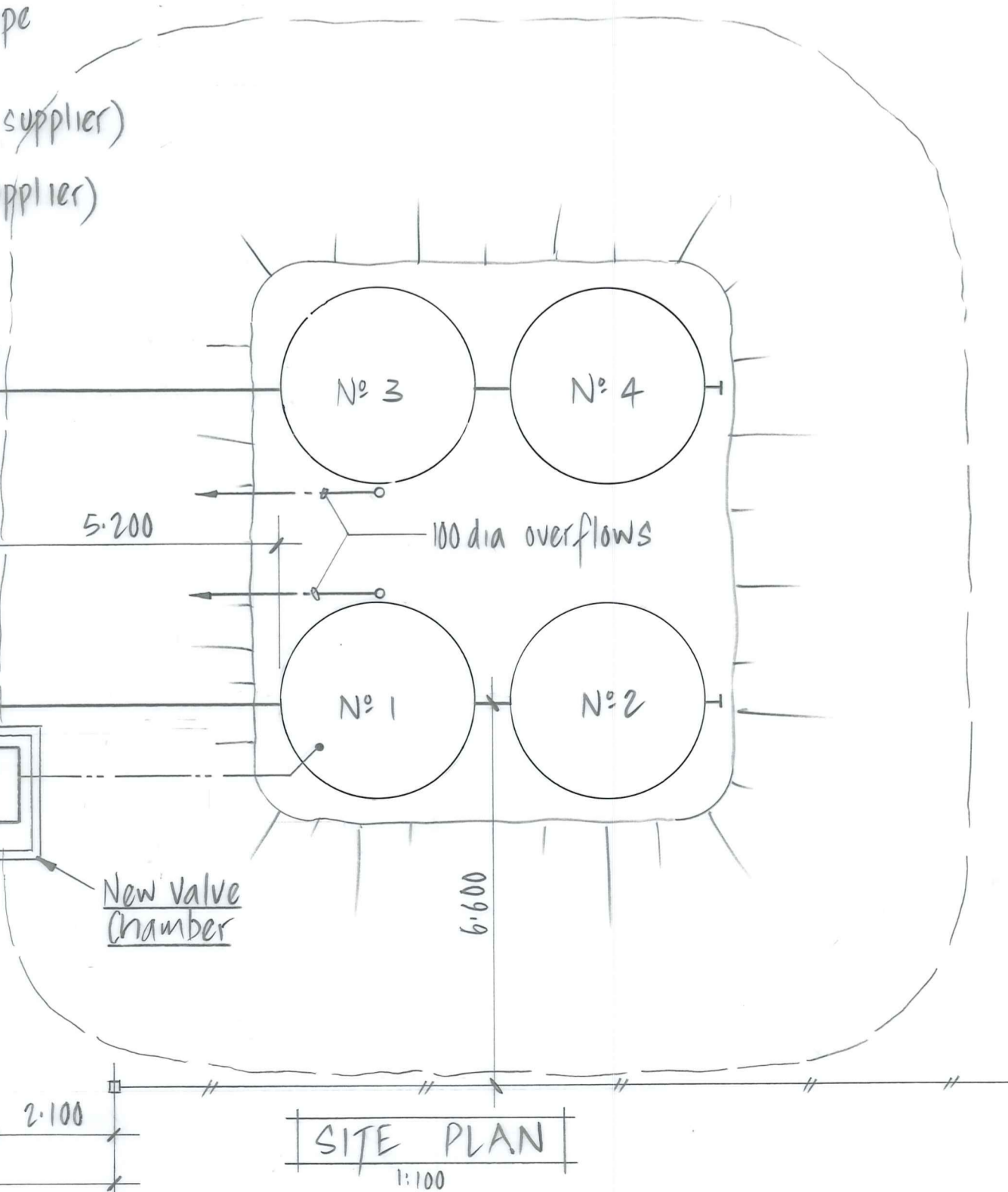
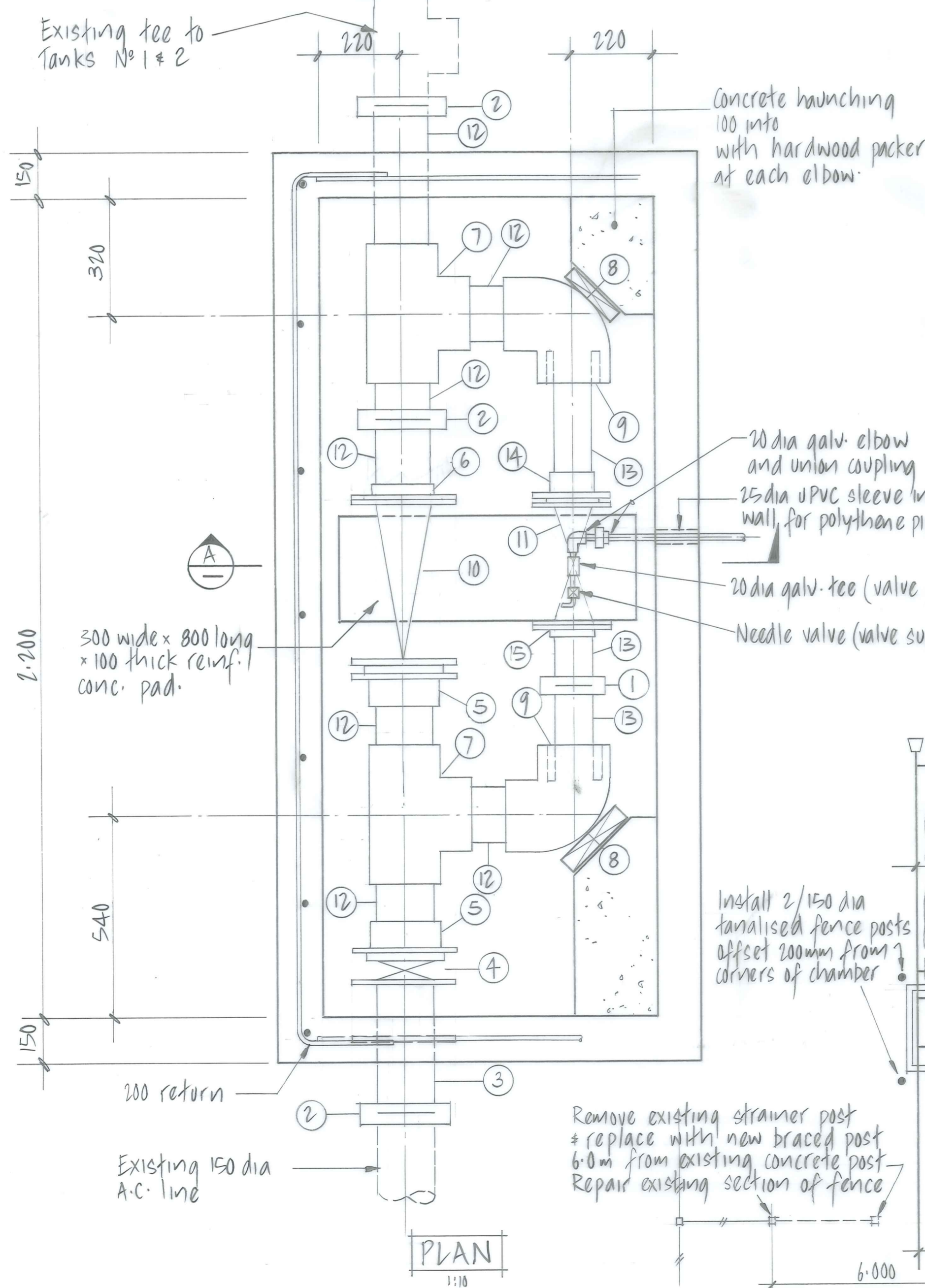


ITEM	NOFF	DESCRIPTION
1	1	100 dia gibault
2	3	150 dia gibault to suit connecting pipework
3	1	150 ABS Class C flanged one end with puddle flange - length to suit
4	1	150 wafer butterfly valve, lever activated with stainless steel disc and EPDM/nitrile seating
5	2	150 ABS stub flange with galv. steel backing ring
6	1	150 ABS full face flange
7	2	150 ABS equal tee
8	2	150 ABS elbow
9	2	150-100 ABS reducing bush
10	1	150 dia C.I. reflux valve
11	1	Porat 100 dia flanged C.I. float control valve (Refer Spec)
12	7	150 dia ABS Class C - length to suit
13	3	100 dia ABS Class C - length to suit
14	1	100 ABS stub flange and galv. steel backing ring
15	1	100 ABS full face flange

Note: 1/ All steelwork to be hot dip galvanised
 2/ Contractor to take care not to cut control cables to reservoir tanks - location not confirmed



No.	Revisions	Date	Appvd
1	DESIGNED	22-4-91	
2	CHECKED	22-4-91	
3	APPROVED		

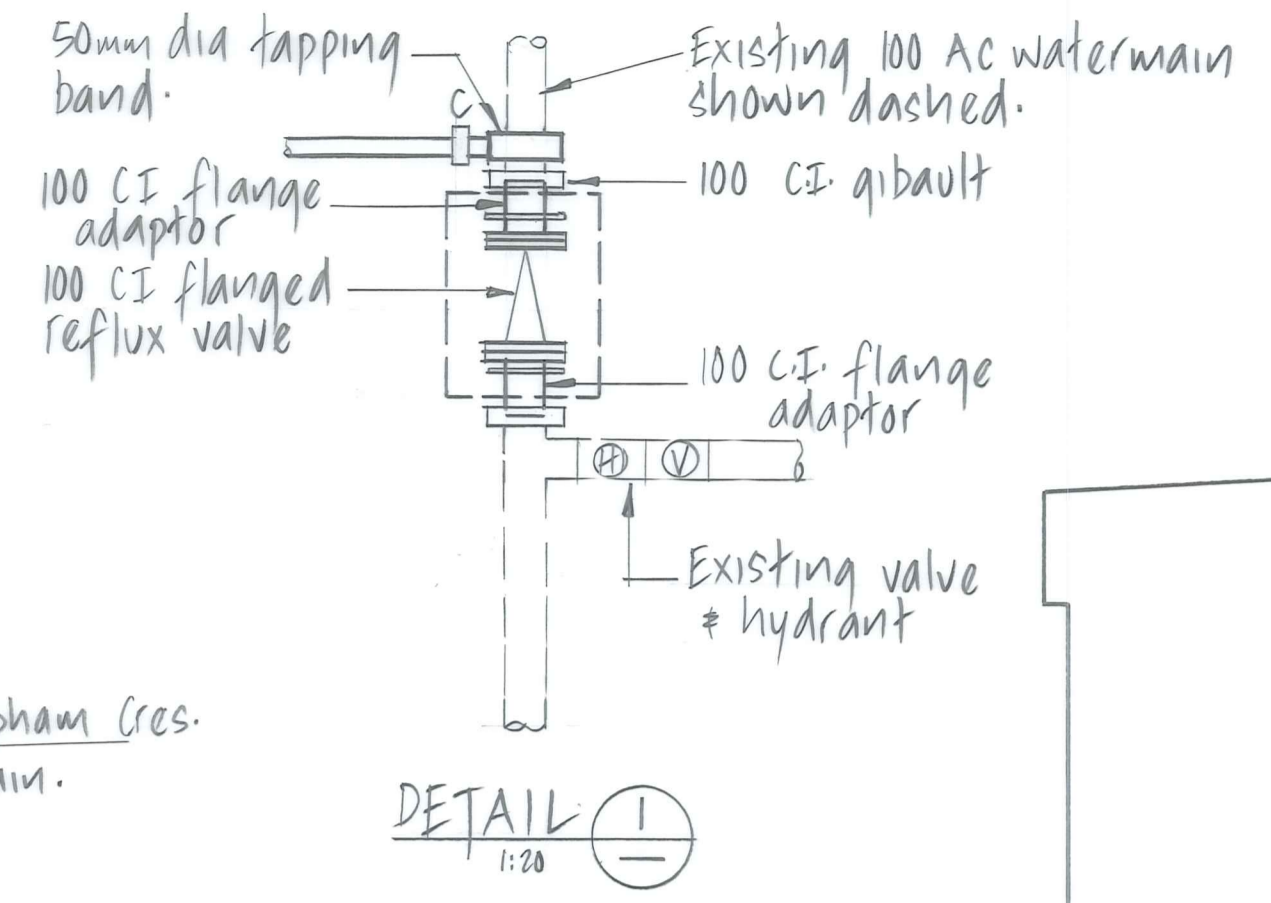


Project
OMAKAU WATER SUPPLY UPGRADING
 PIPEWORK MODIFICATIONS AT RESERVOIR TANK FARM

Job No. 12829
 Sheet No. 1 of 1 sheets

Duffill Watts & King Ltd
 CONSULTING ENGINEERS

ORIGINAL SIZE mm



Cast fitting in wall for attachment of ball cock valve immediately above 20mm fitting at base of wall.

Manhole access adjacent to ball cock valve

Following tank installation backfill topsoil + reinstat grass around tanks

Prospect for and confirm location of existing water main prior to installation of 50 mm dia lines

Slope path away from door

50mm dia UPVC inlet line to Water Tank

20mm dia H.D.P.E./UPVC line from float control valve in pumphouse to ball cock valve in water tank

TYPICAL SECTION THRU SITE 1:1:20



LOCALITY PLAN

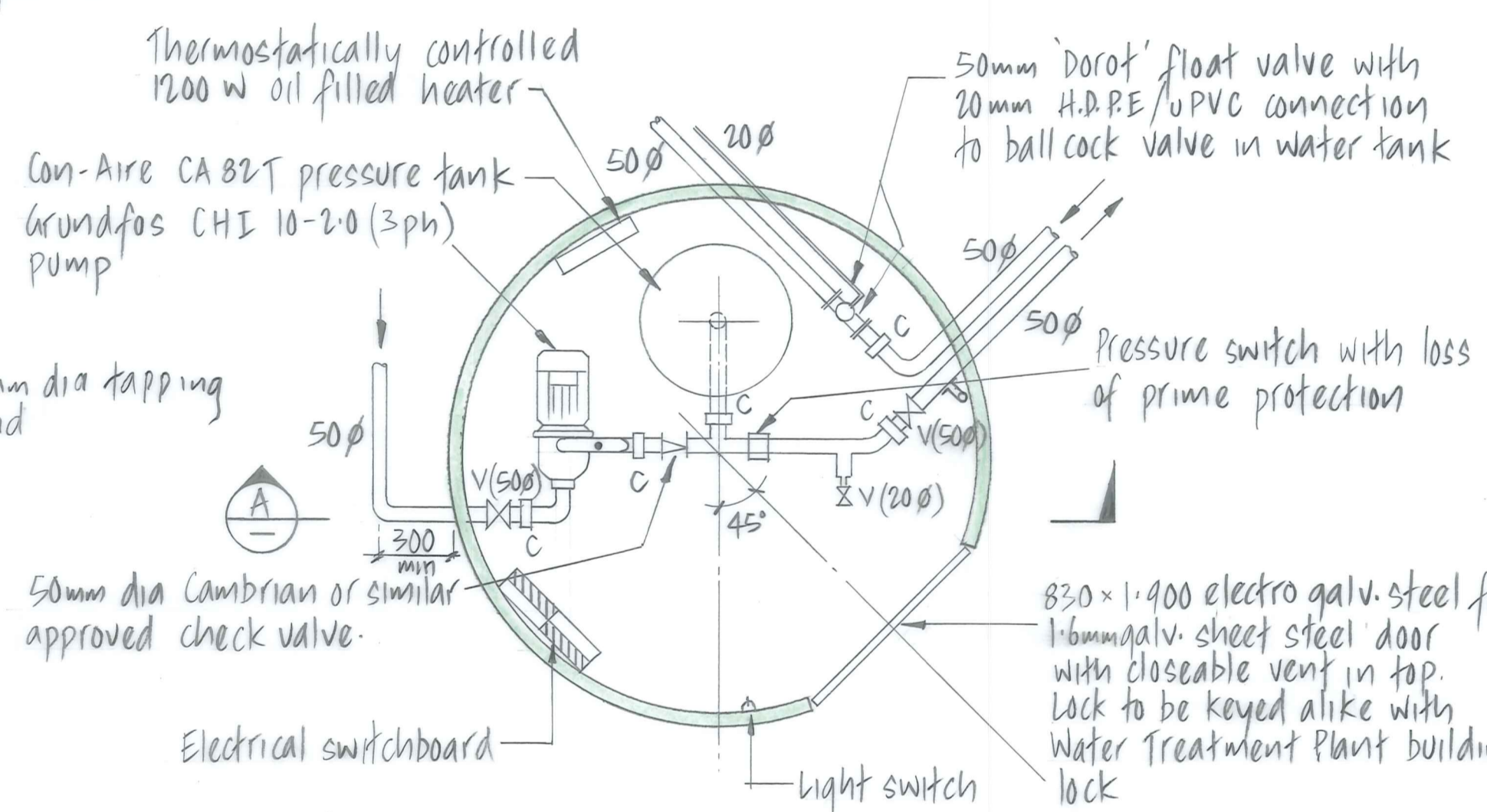
No.	Revisions	Date	Appvd
Designed	D.E. RAILTON	July 91	Print Date
Drawn	J. KNOX	" "	" "
Checked	[Signature]	6 August 8	
Approved	[Signature]	8/91	
File	225/22/2/4	Ref	



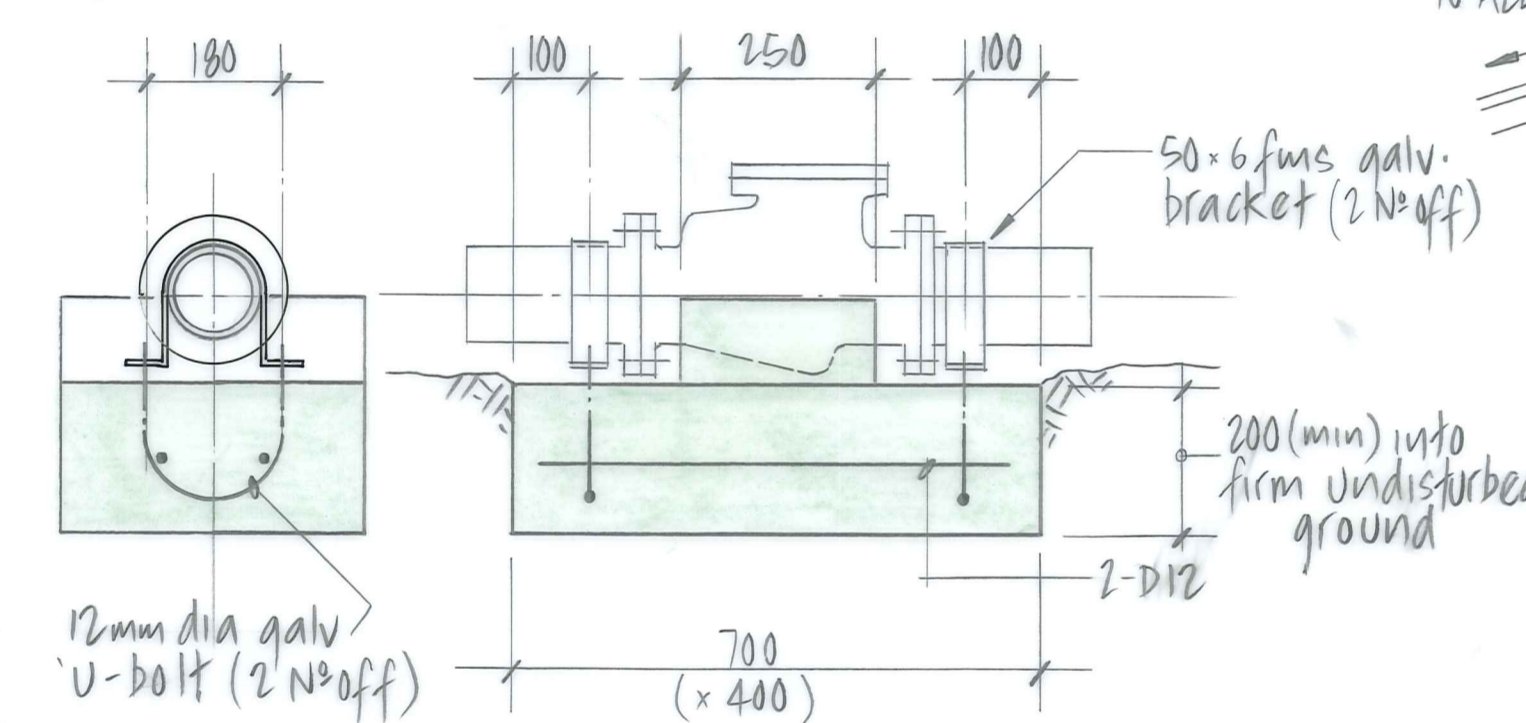
Client
CENTRAL OTAGO DISTRICT COUNCIL
 Project
**OMAKAU WATER SUPPLY
 ALTON ST. BOOSTER PUMP**
 Sheet Title
**LOCALITY PLAN, SITE PLAN,
 SECTIONS & DETAILS**

Job No. 12829	Sheet No. P1	Revision of sh/s
-------------------------	------------------------	---------------------

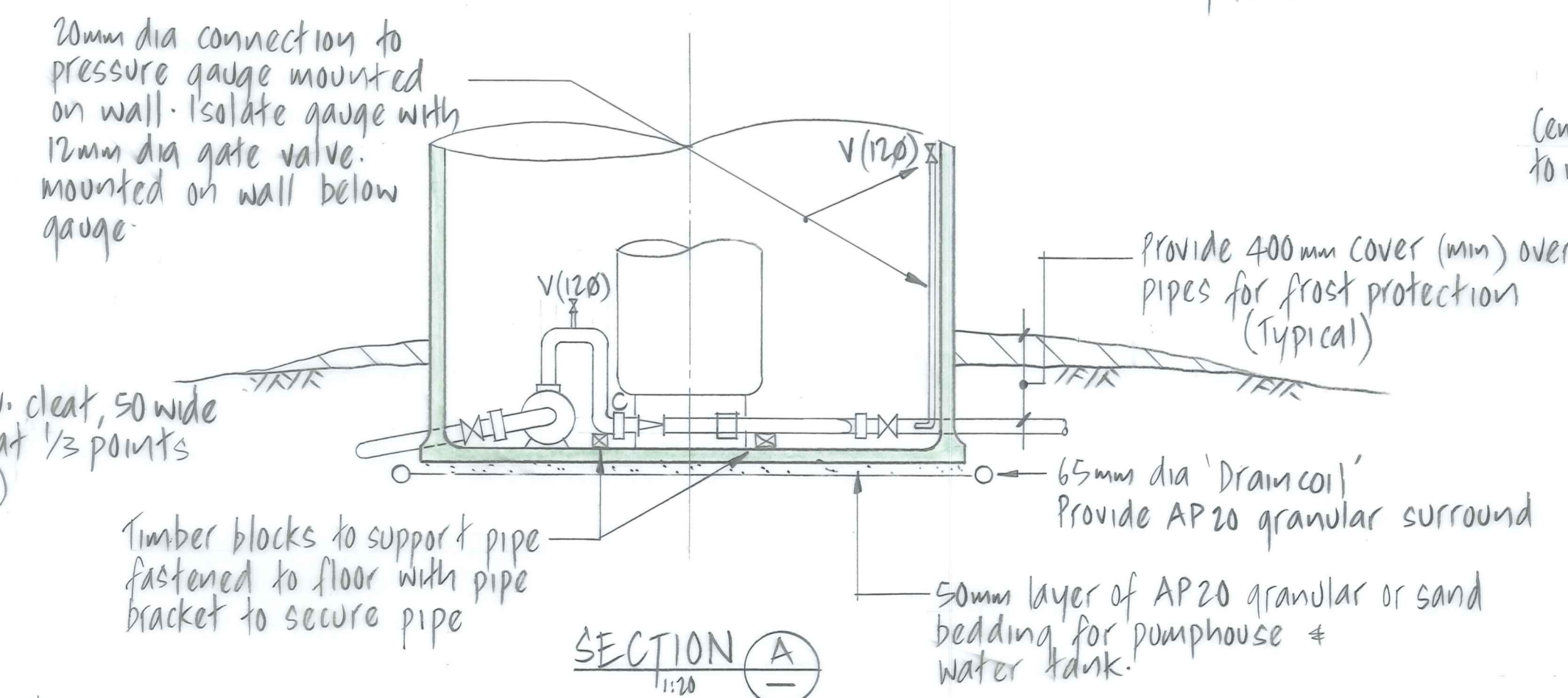
Duffill Watts & King Ltd
 CONSULTING ENGINEERS



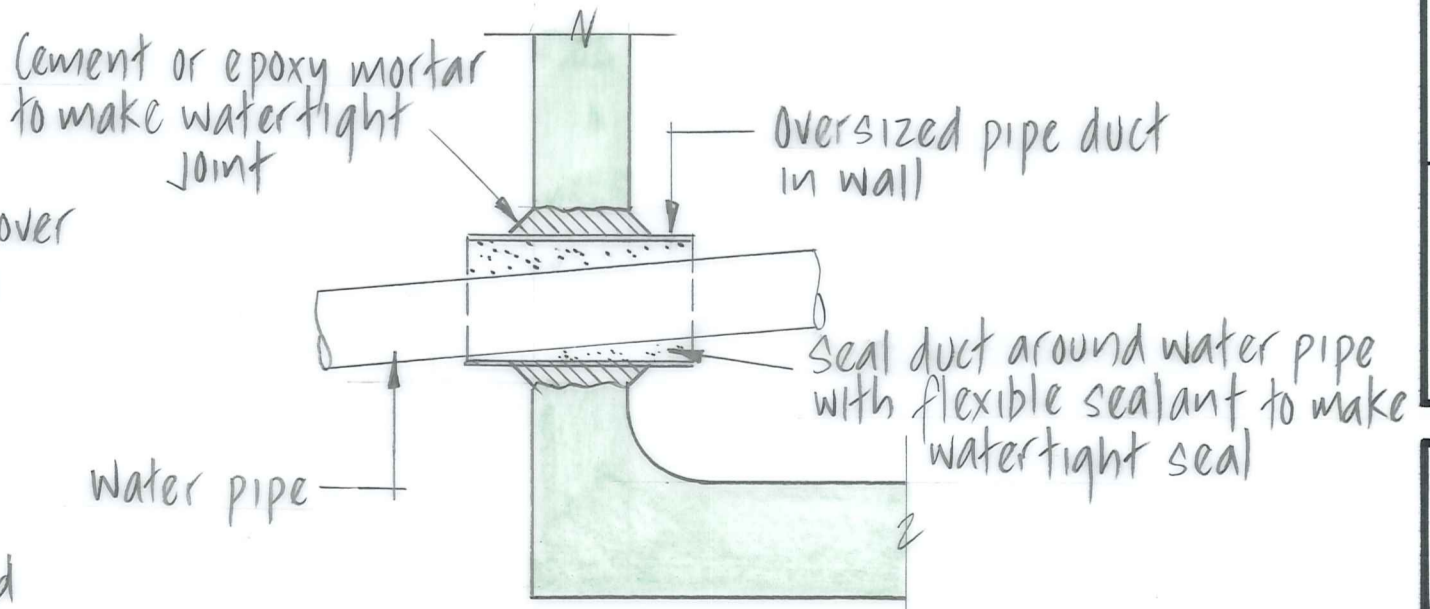
PLAN OF PUMPHOUSE 1:1:20



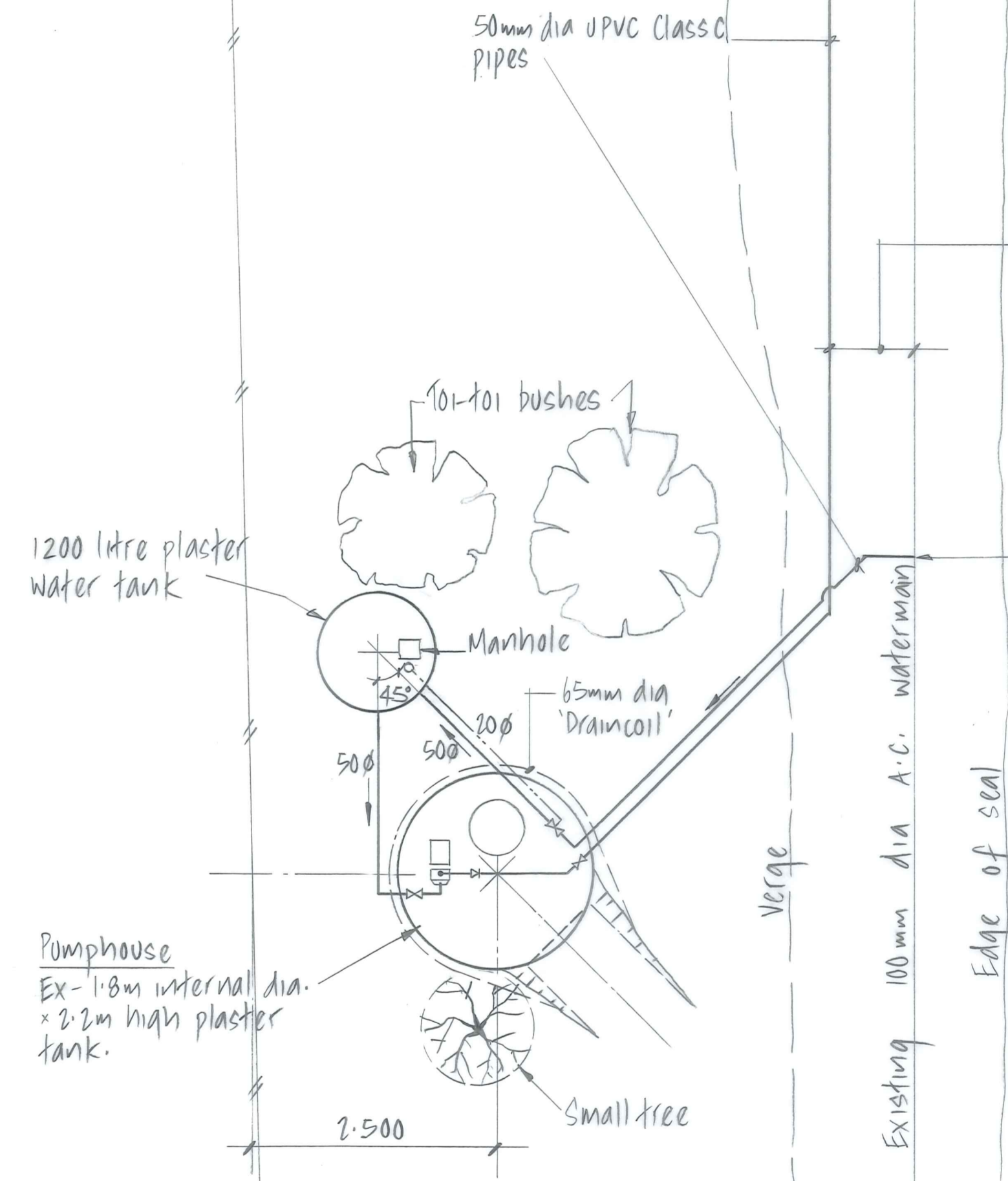
ANCHOR BLOCK DETAIL 1:1:10



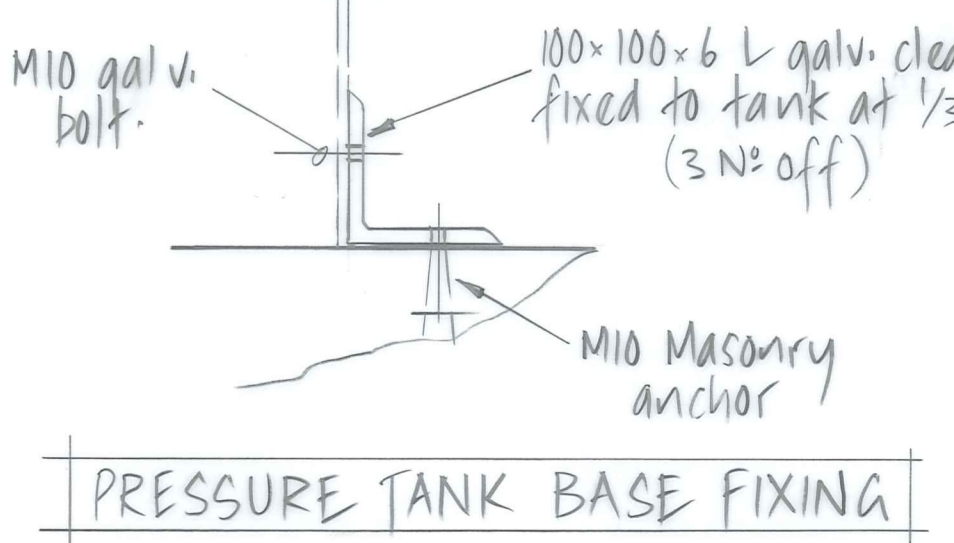
SECTION A 1:1:20



TYPICAL PIPE/WALL DETAIL 1:1:5



SITE PLAN 1:1:50



PRESSURE TANK BASE FIXING

ORIGINAL SIZE mm