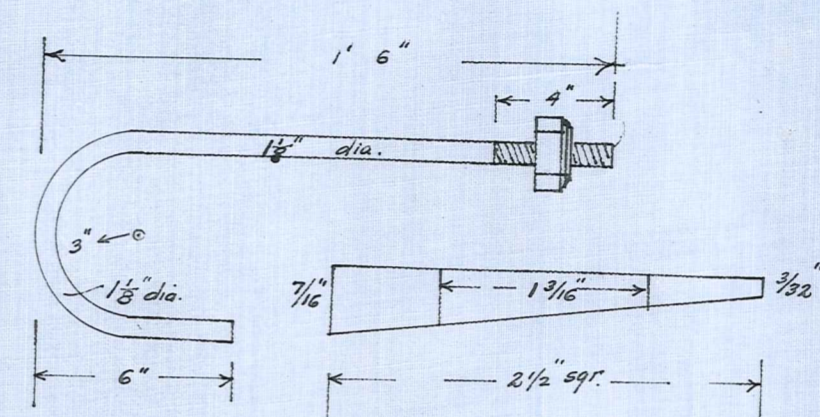
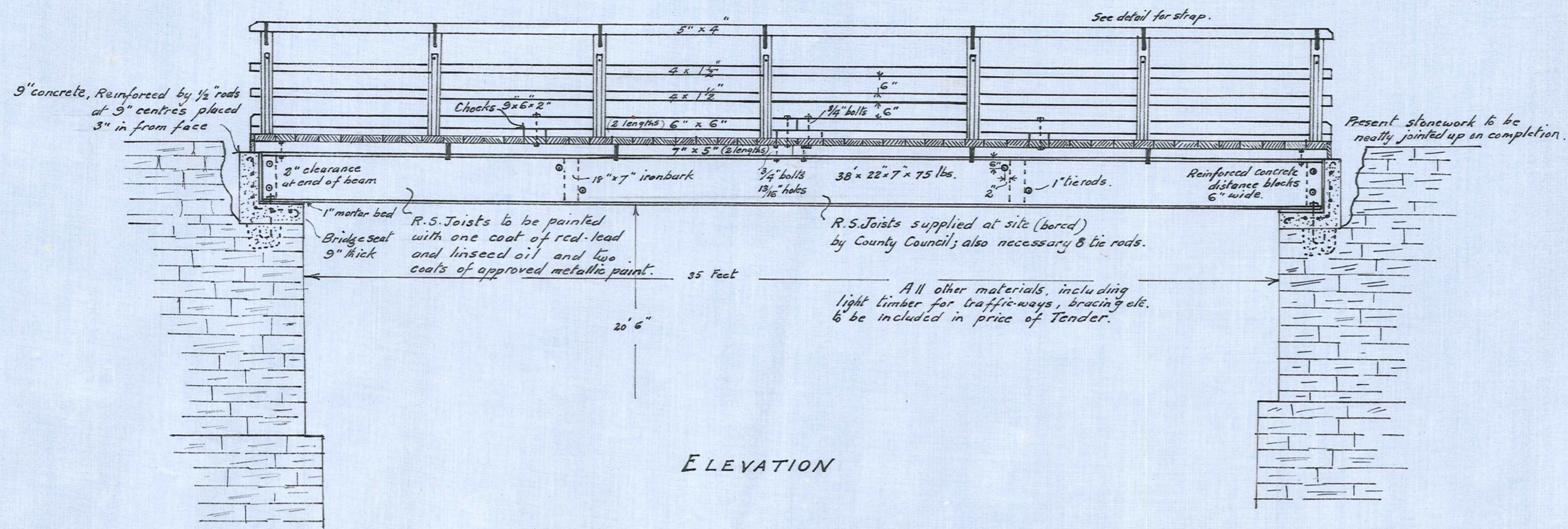


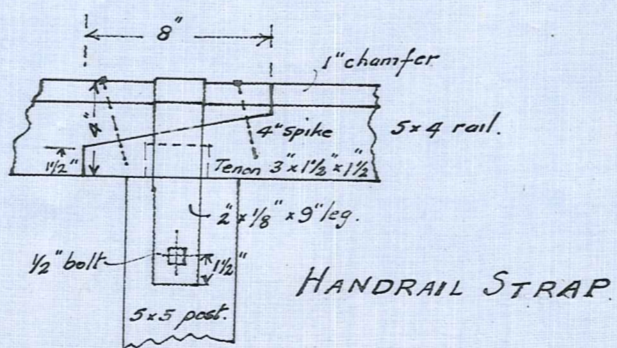
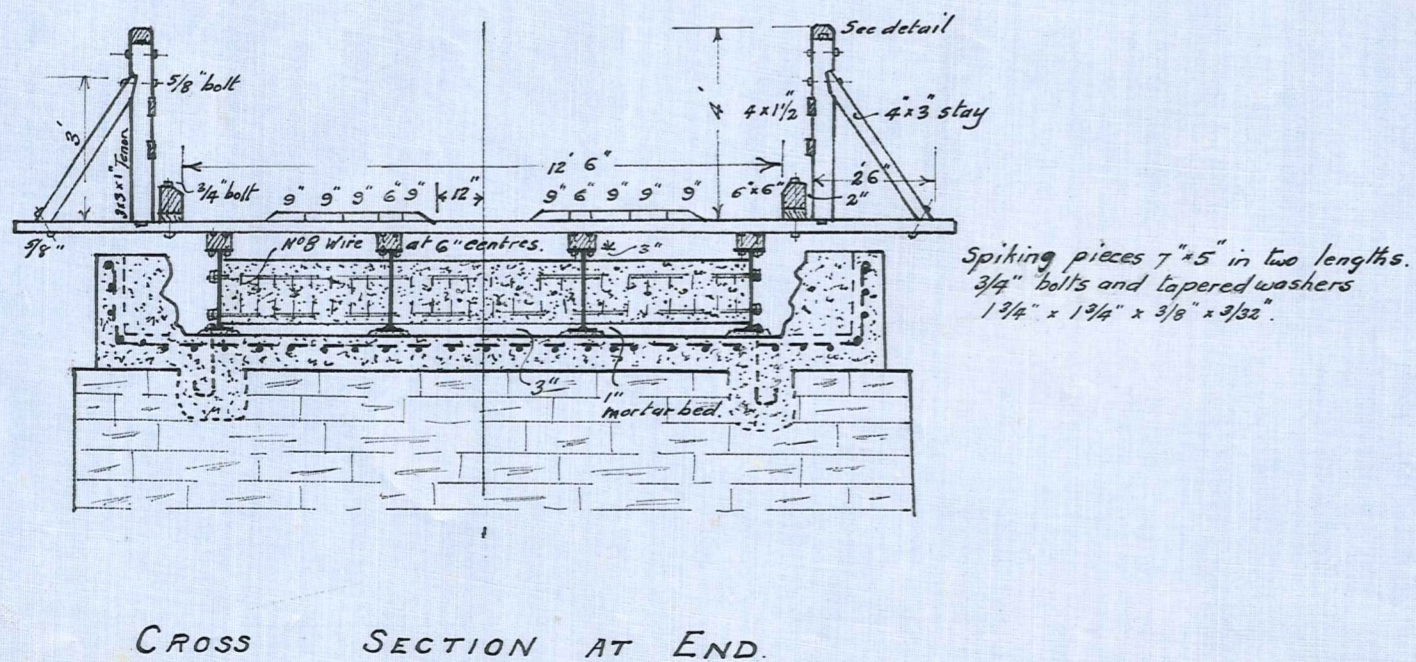
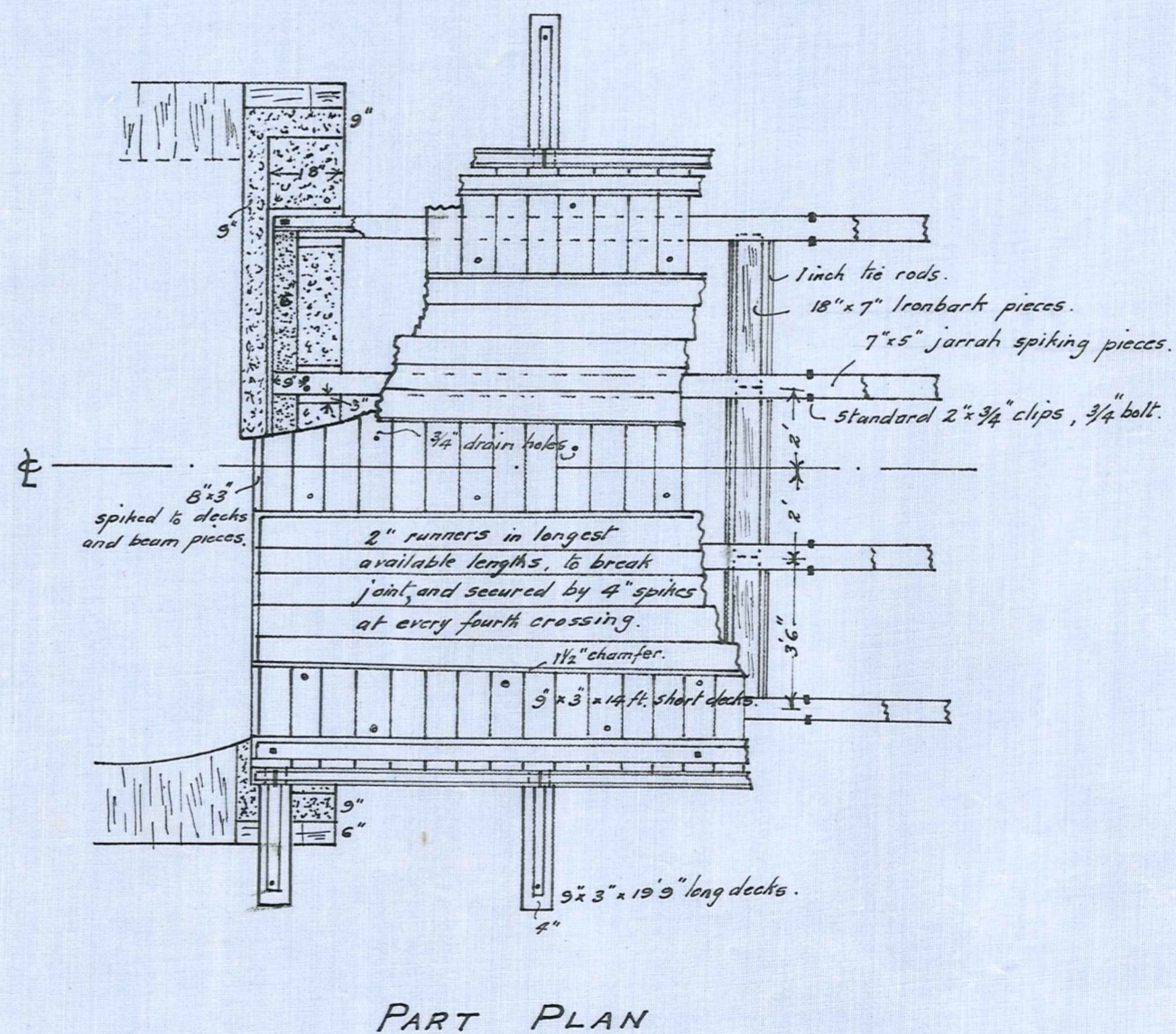
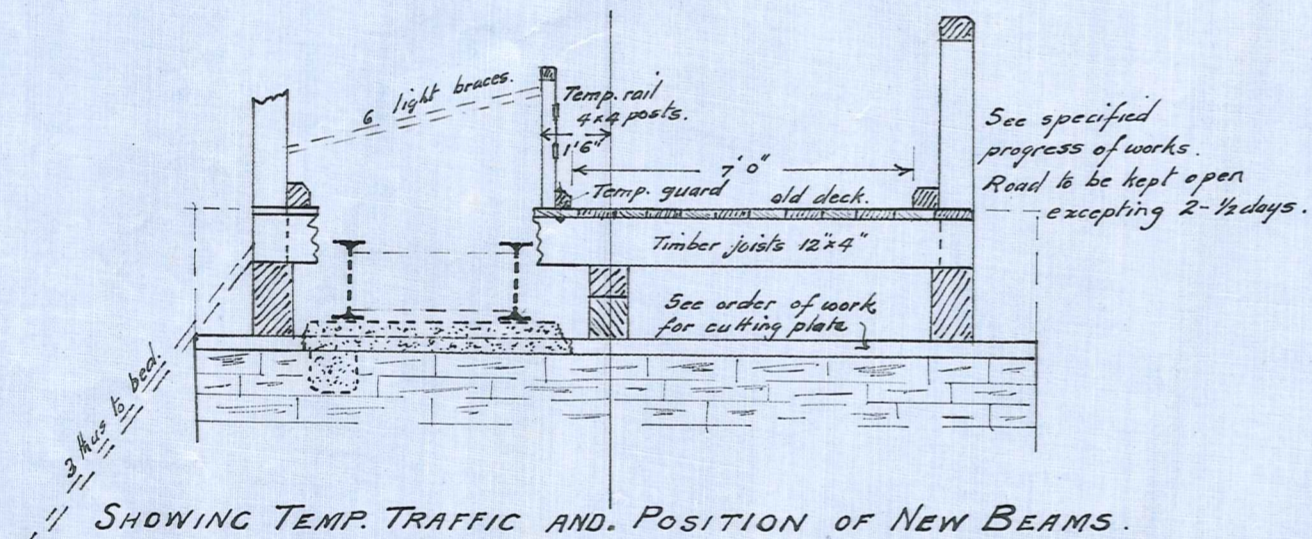
MANIOTOTO COUNTY

SCRUB-BURN BRIDGE RENEWAL C.196

Scale: 4 Feet to an Inch.



SECTION OF OLD BRIDGE



R. G. Langley

M.C.C. 090