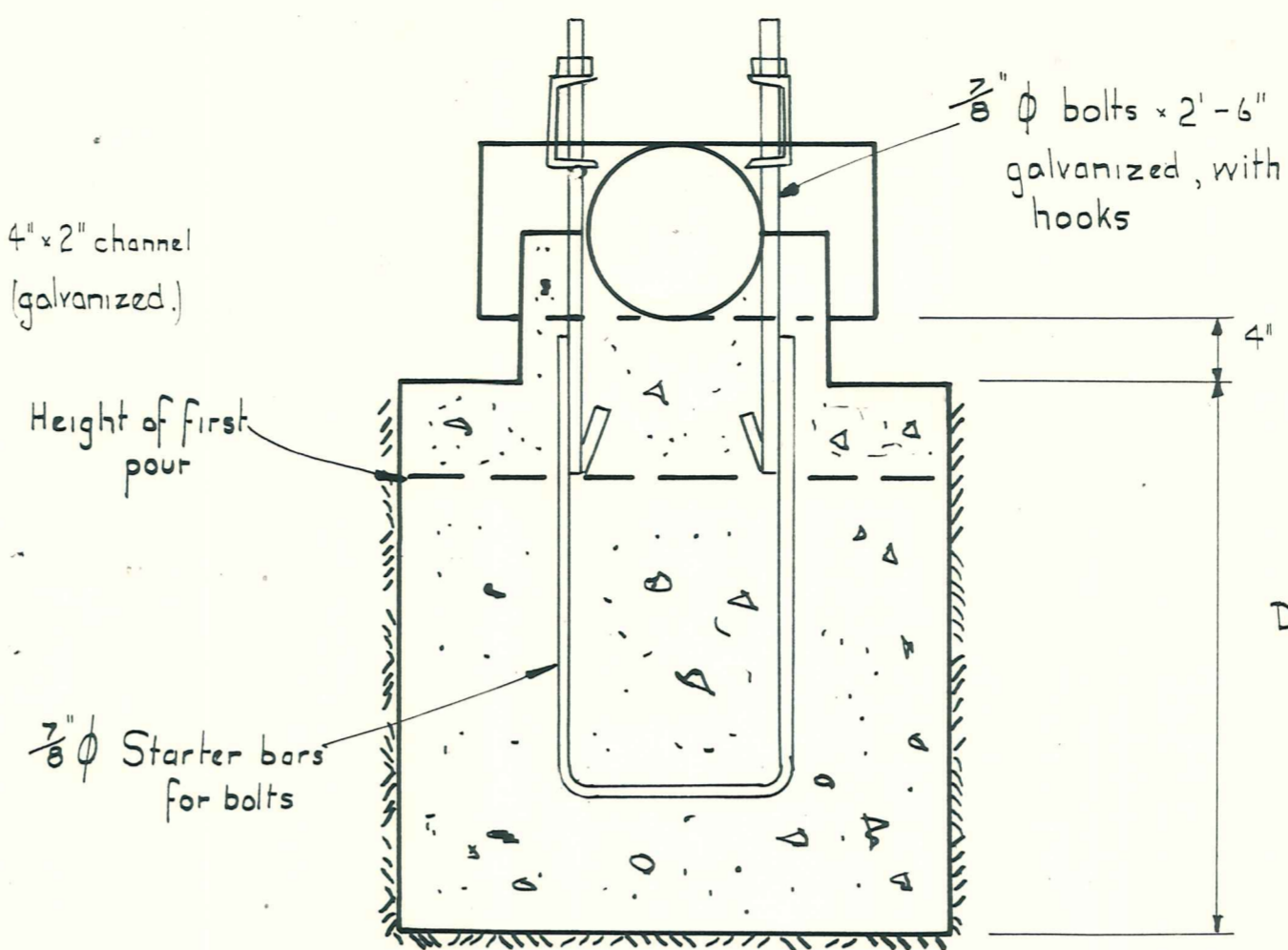
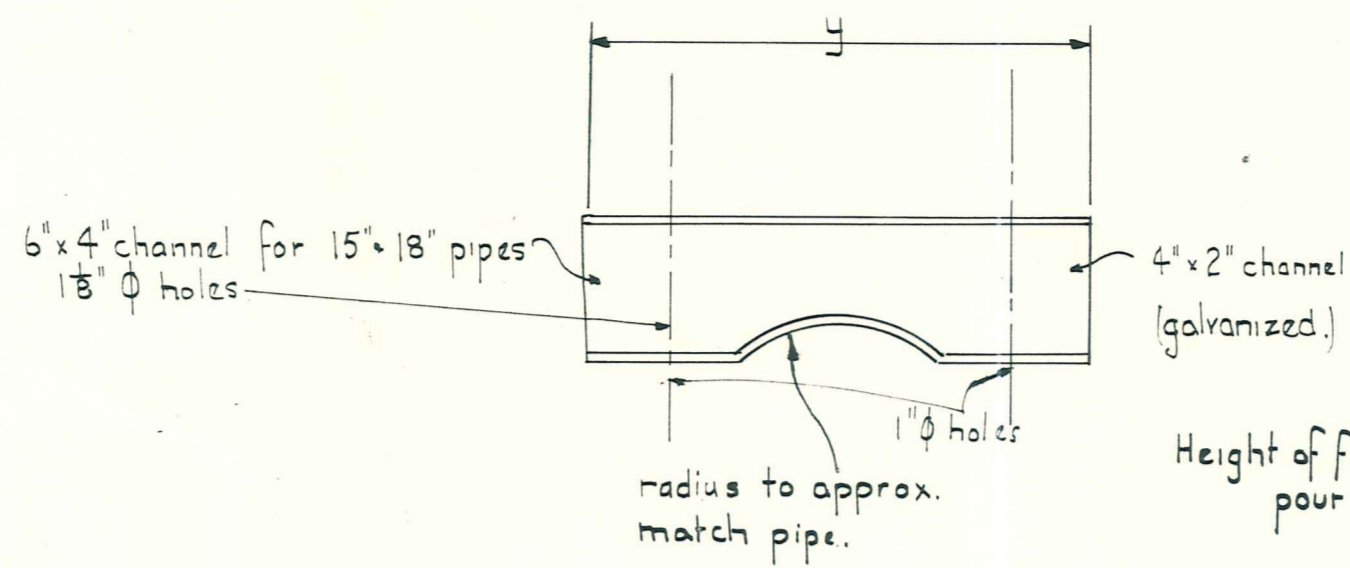
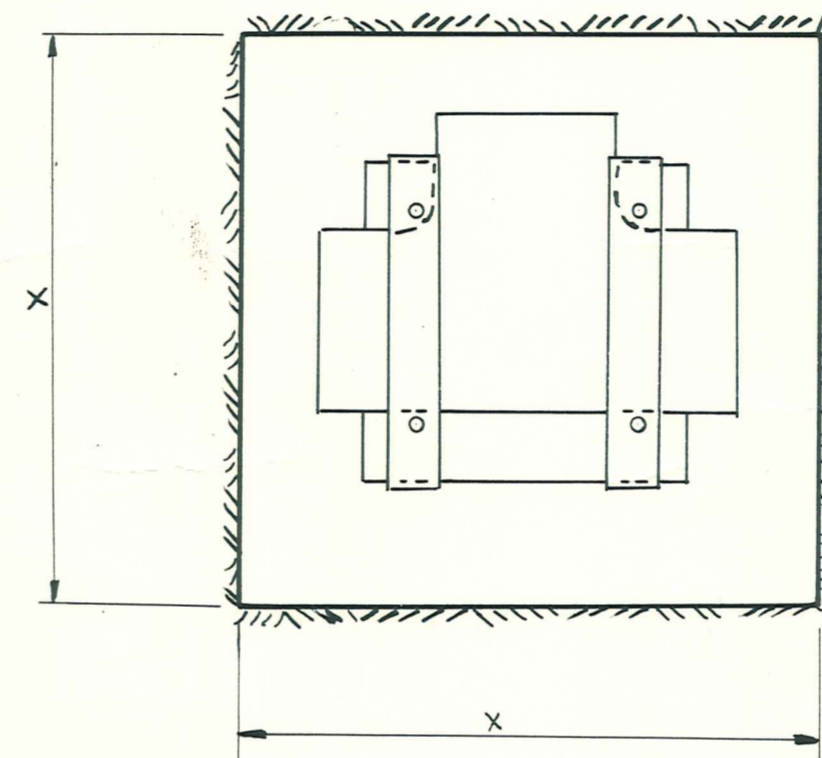


Detail Dry Brick Valve and Hydrant Boxes

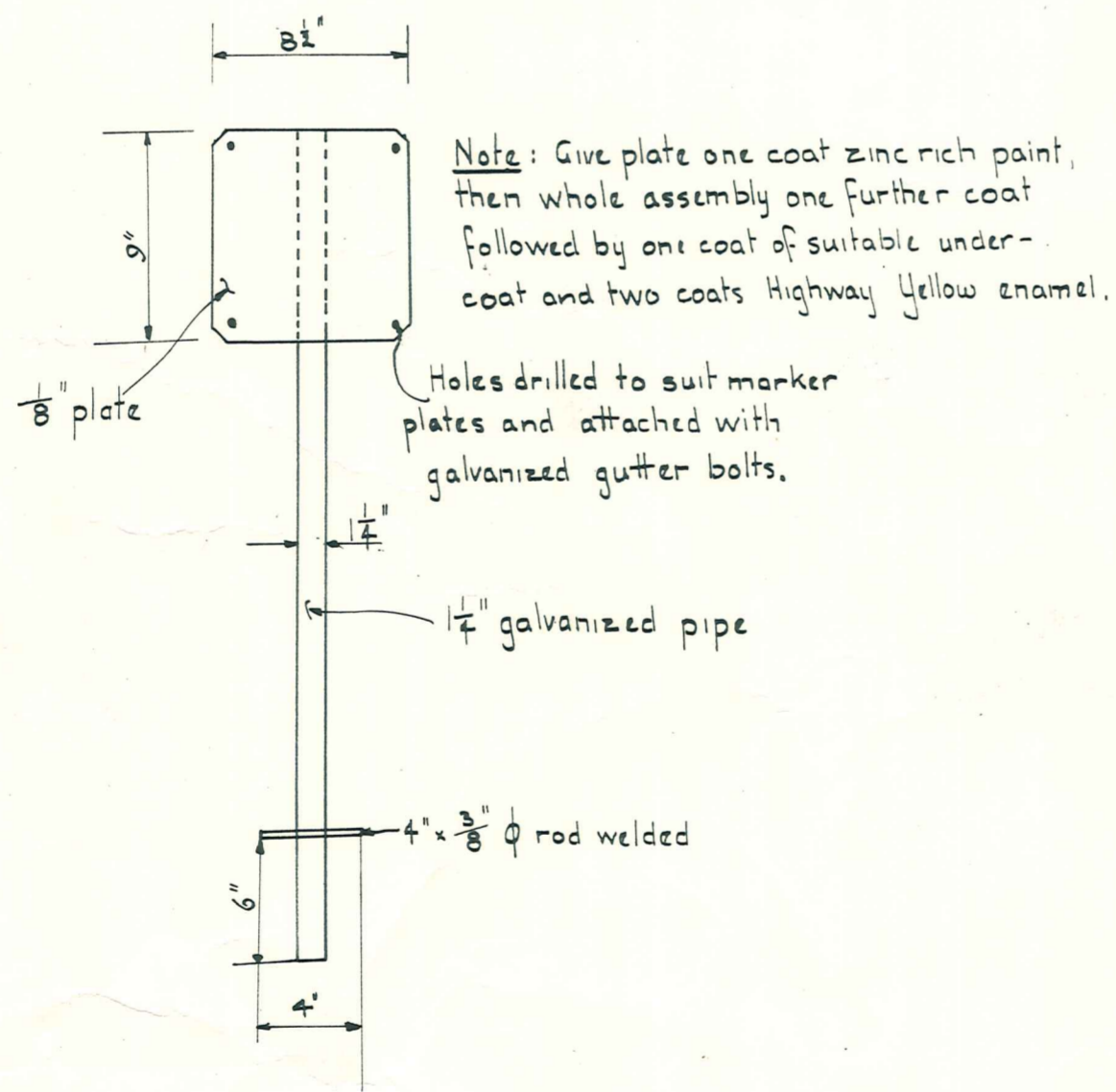


Note: Cast sides against trimmed ground.



Pipe Diam.	4"	6"	8"	10"	12"	15"	18"
X	2'	2'	2'-6"	3'	3'-6"	3'-6"	4'-3"
Y	11"	13"	15 1/2"	17 1/2"	19 1/2"	21 1/2"	24 1/2"
D	2'	2'-6"	3'-0"	3'-6"	4'-0"	4'-6"	5'-0"

Anchor Block Details for Tees and Crosses



Detail Fire Hydrant Marker

Legend

- Gibault joint, or manufacturer's standard flexible joint.
- Flange joint.
- Hydrant.
- Sluice Valve (flanged).
- Foul Sewer.
- Storm Water.
- Existing Water.
- P.T. Cables.
- Power Cables.

AMENDMENTS					NAME	DATE
No.	By	Date	Description	Apprd.		
					De Johnston	July 1964
					Dray	July 1964
					Stamm	Sept 66