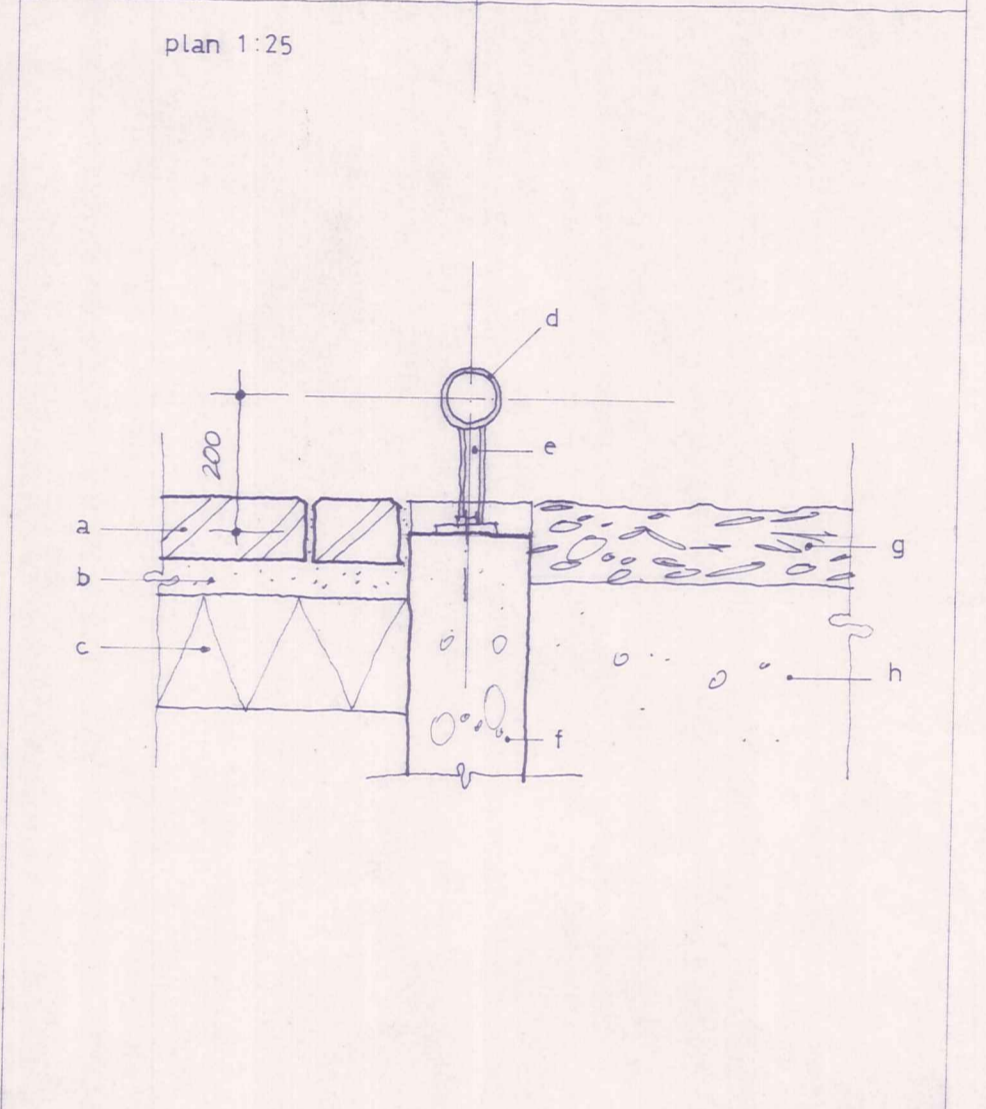
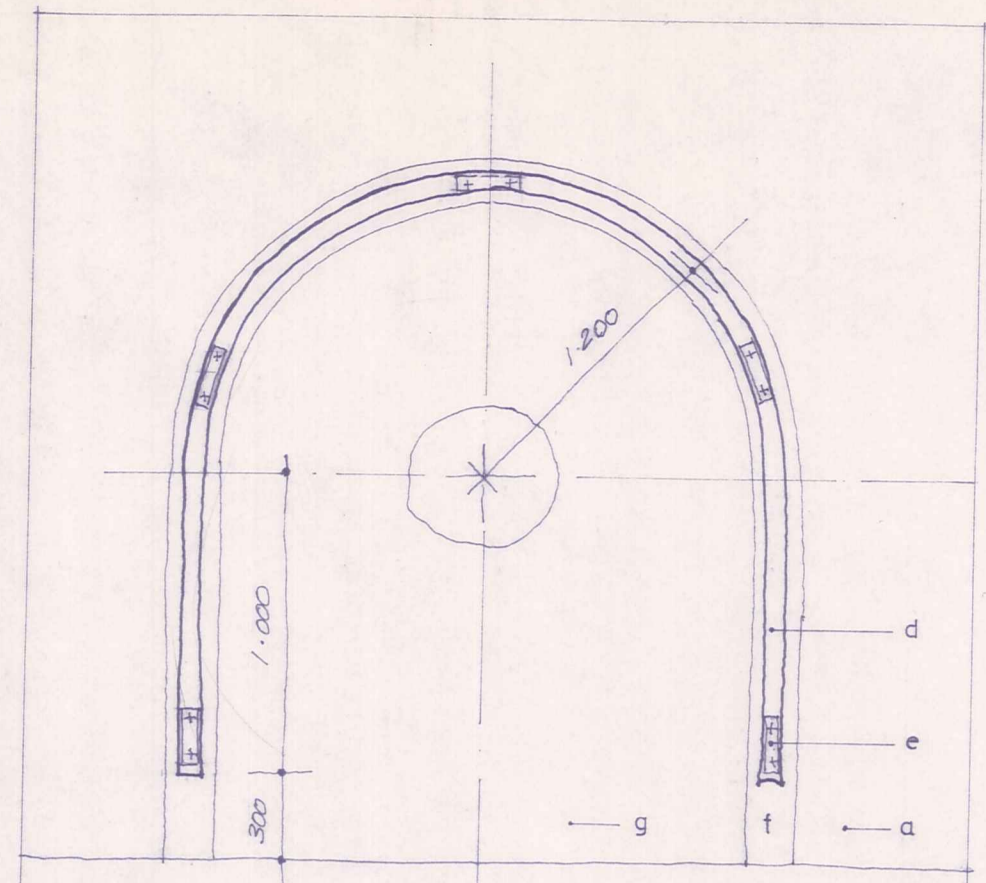
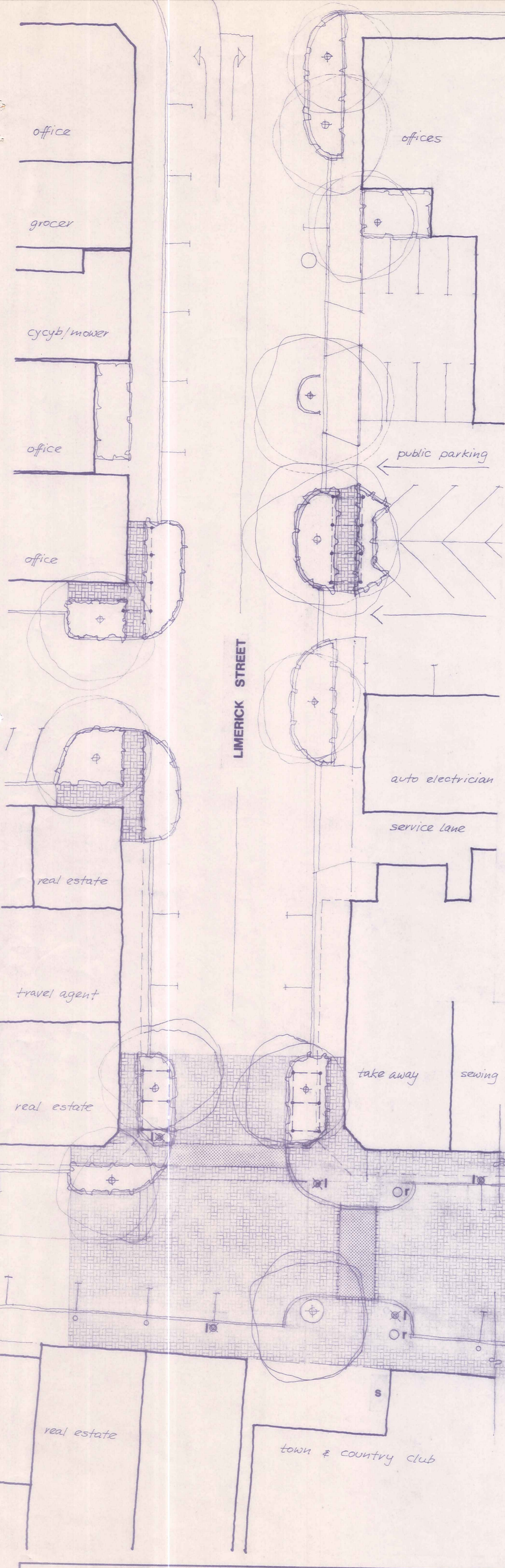
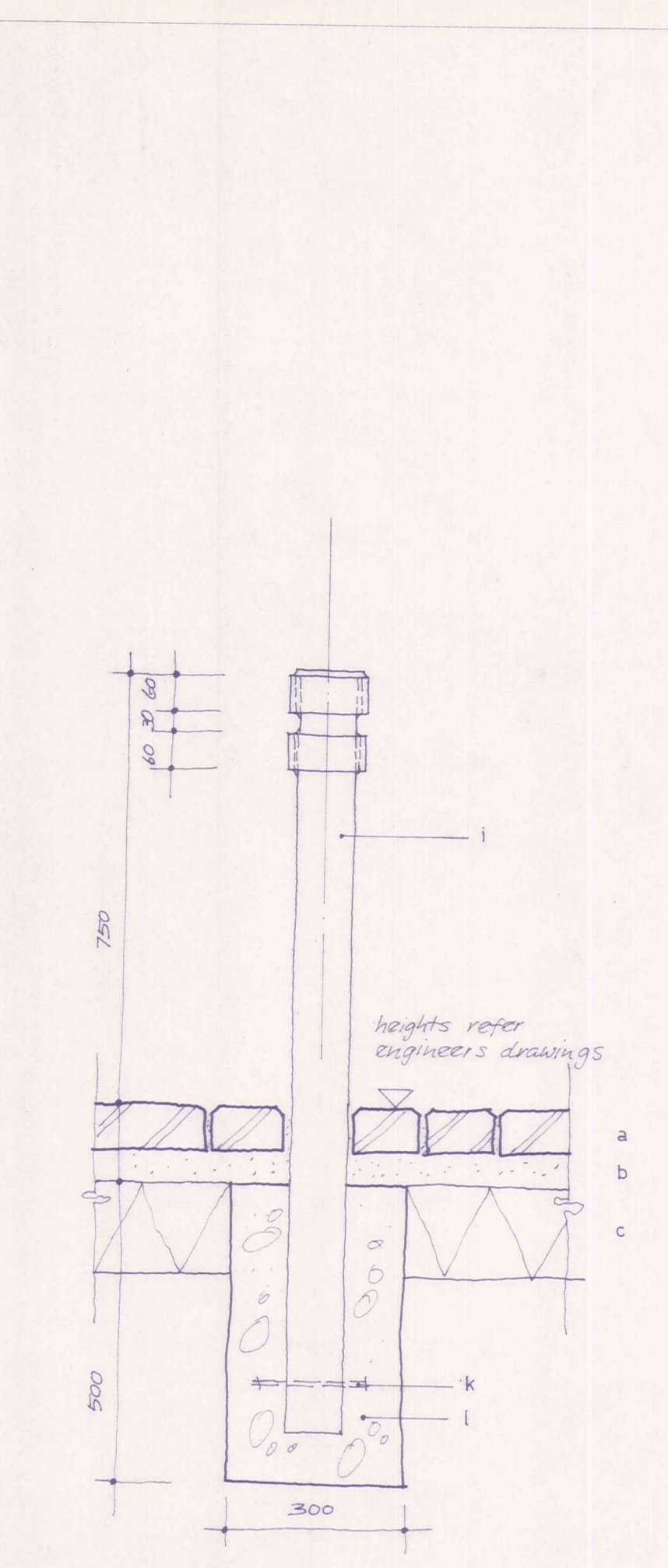


- Legend:
- existing lawn
  - new paving - Bo's Firth Stockholm concrete pavers dark brown, laid in Herringbone pattern parallel to kerb
  - information Rotunde (detail see Sheet C 5)
  - rubbish bin (detail see sheet C 1)
  - light pole - refer to Staff catalogue  
Ø 102.0 steel pole (Staff 410 149)  
Ø 400 acrylic sphere (Staff 057 833)
  - timber slatted bench seat (detail on Sheet C 4)
  - existing Telephone
  - Post box
  - crossing lights as per regs

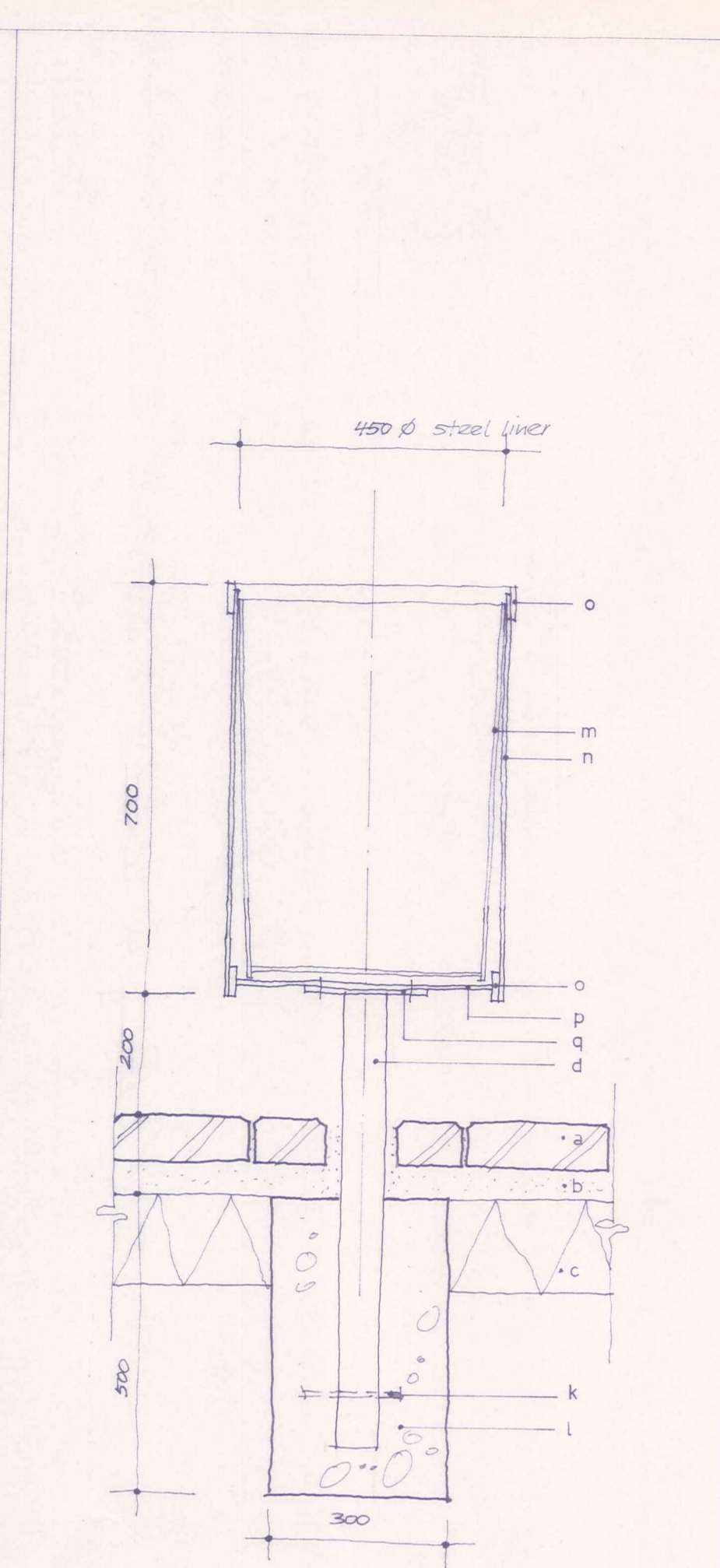
n°	date	amendment	date: 26.2.91	SHEET N°
			scale: 1: 250	of
			drawn: HP	1
			job n° 3015	sheet
				1
				printed EB 1991



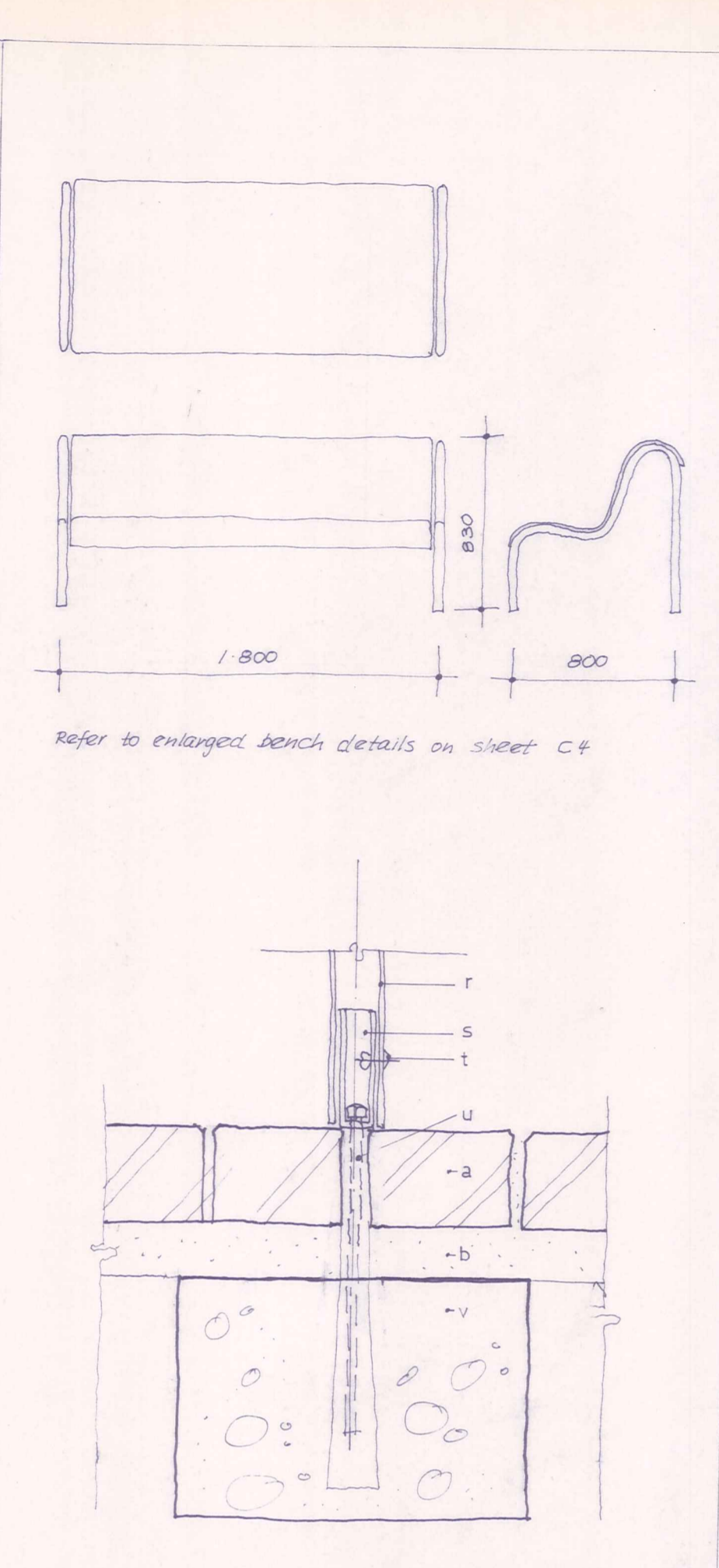
tree surround & parking stop 1:10



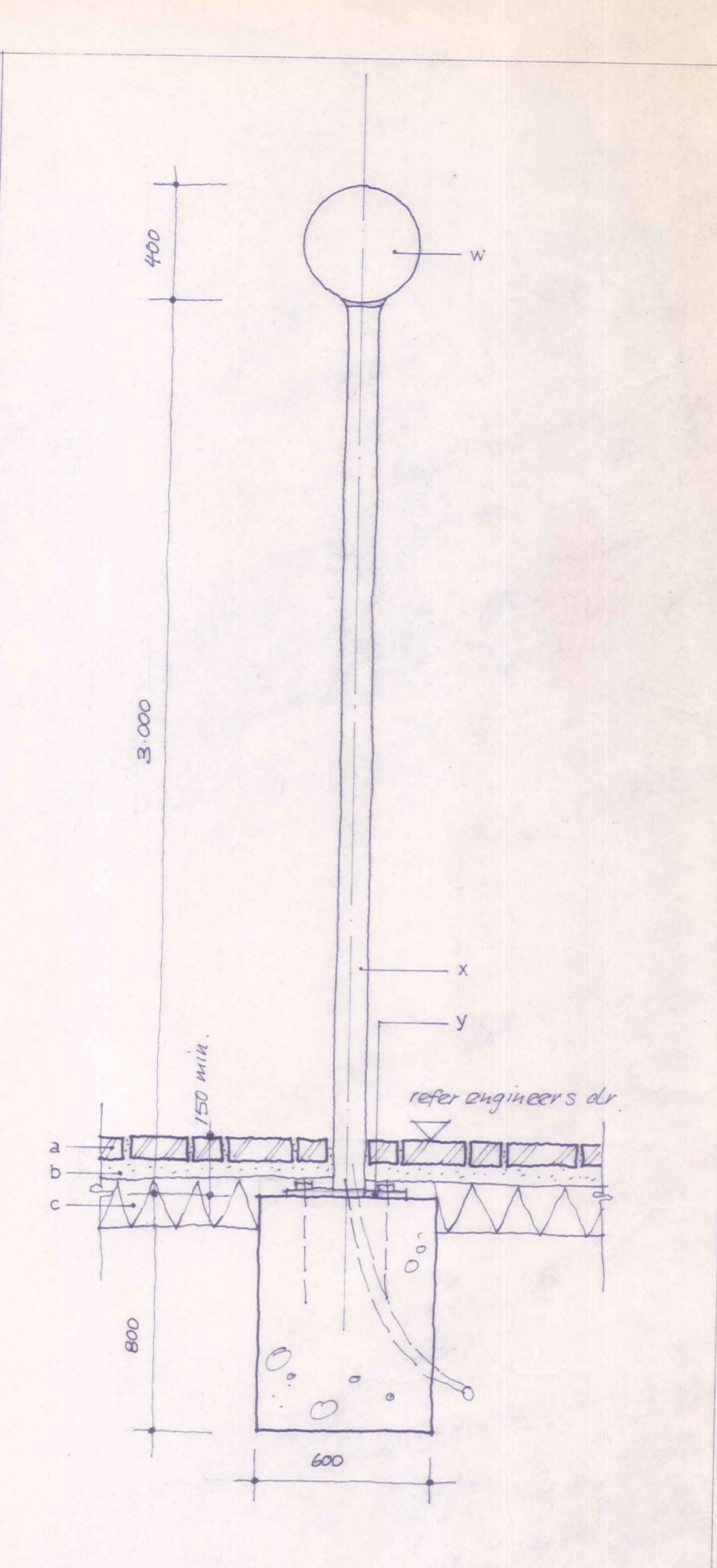
bollard 1:10



litter bin 1:10

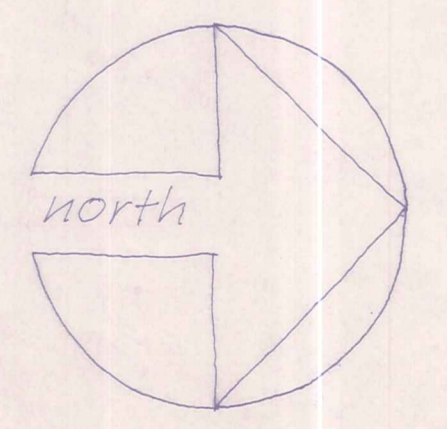
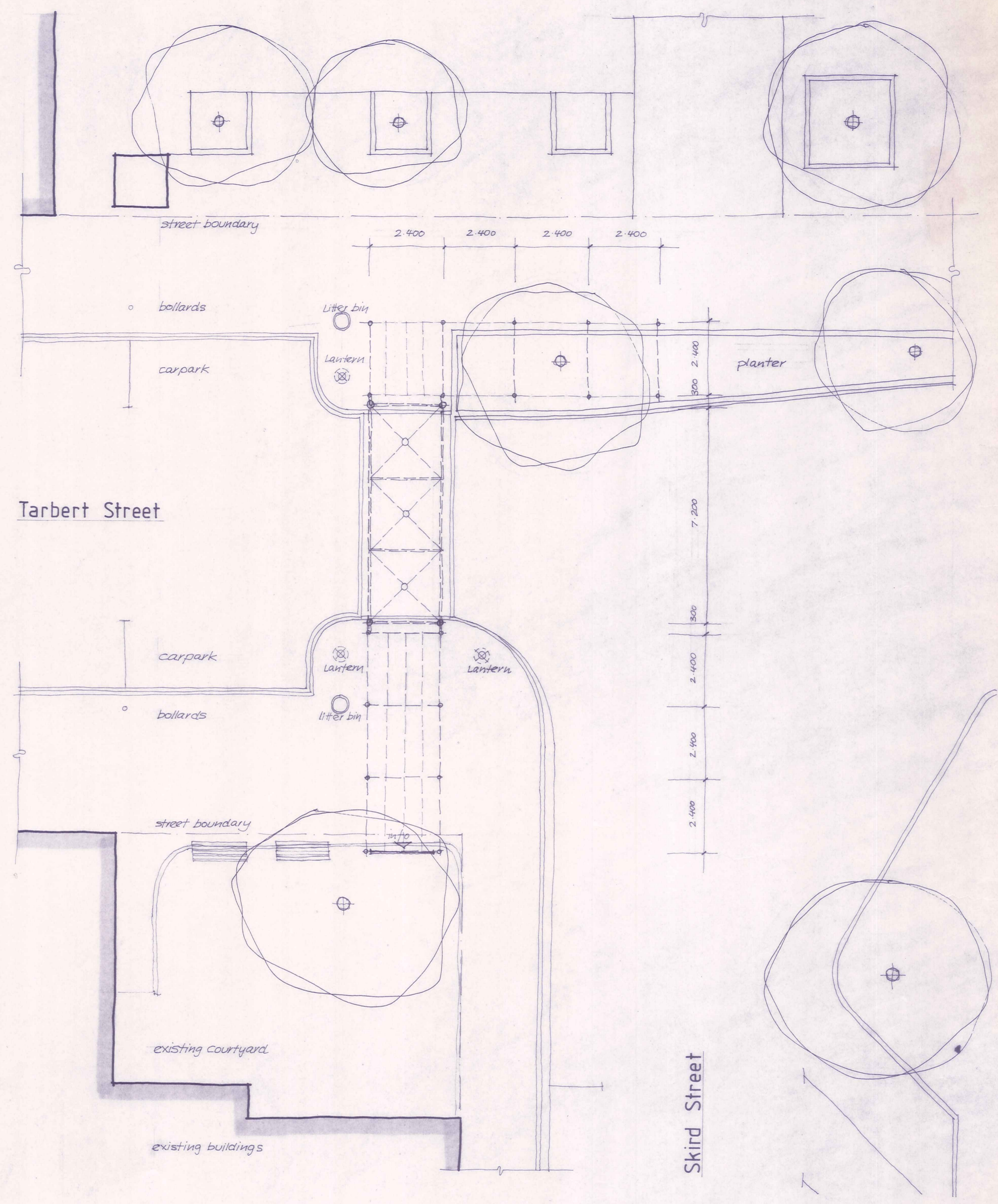
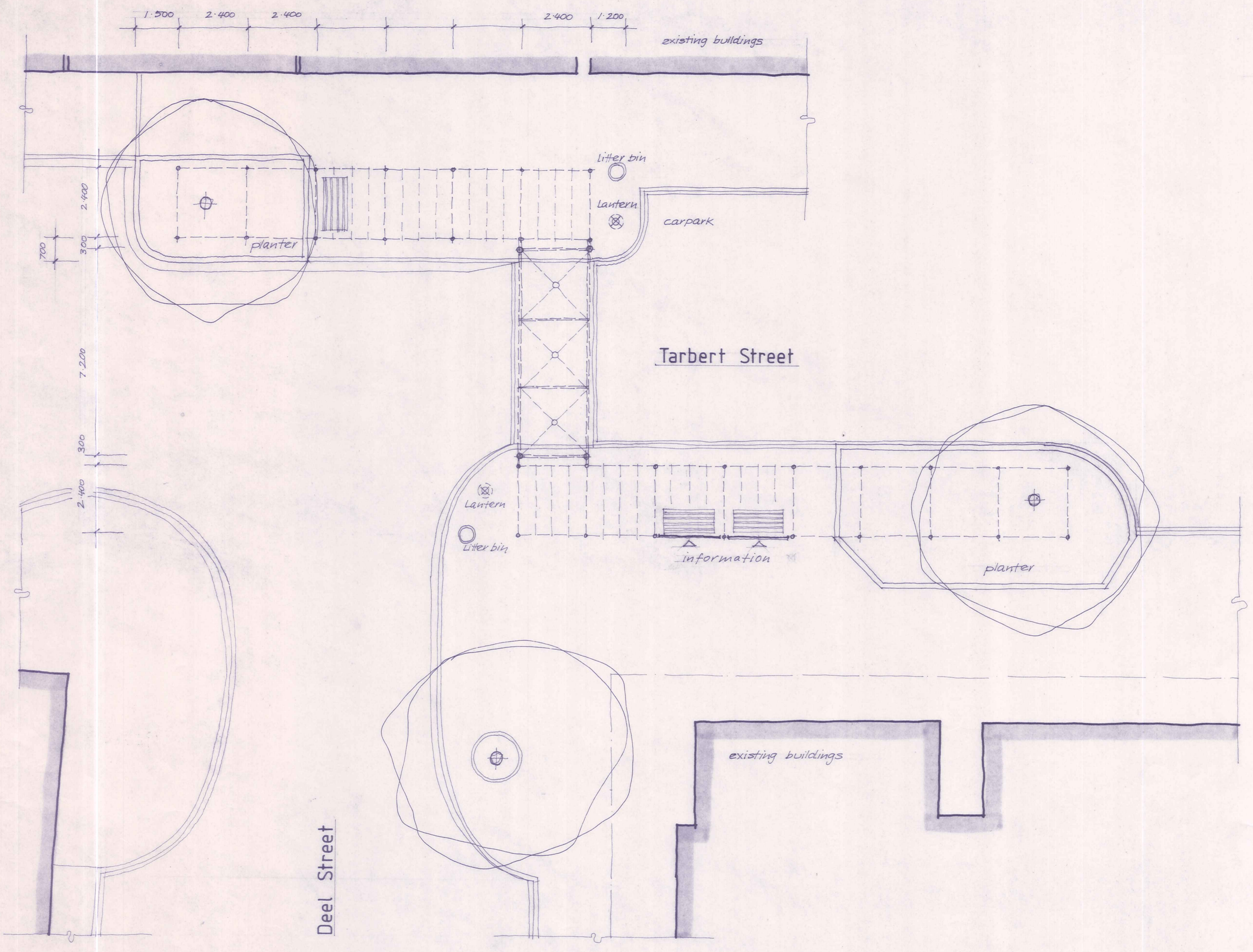


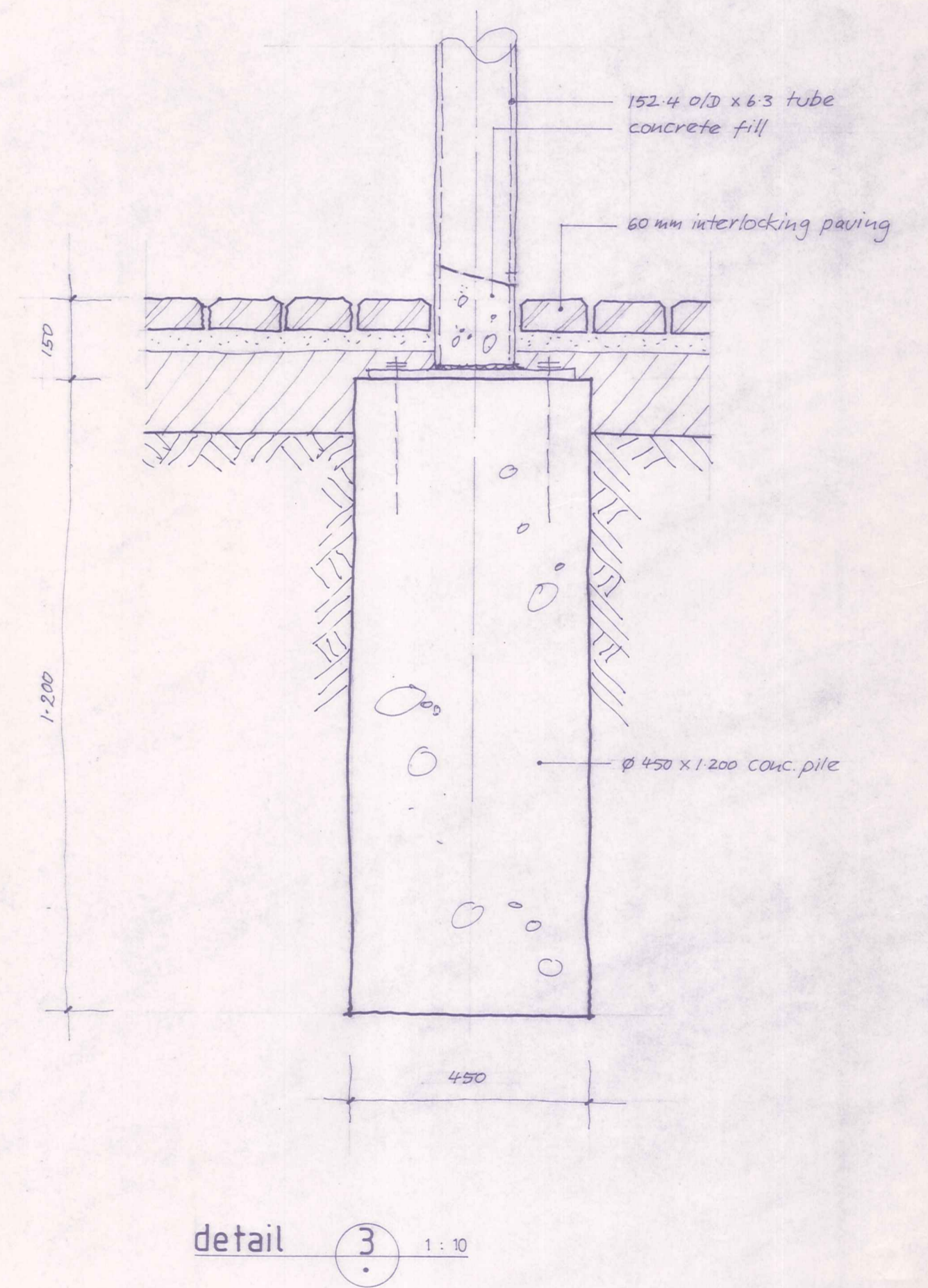
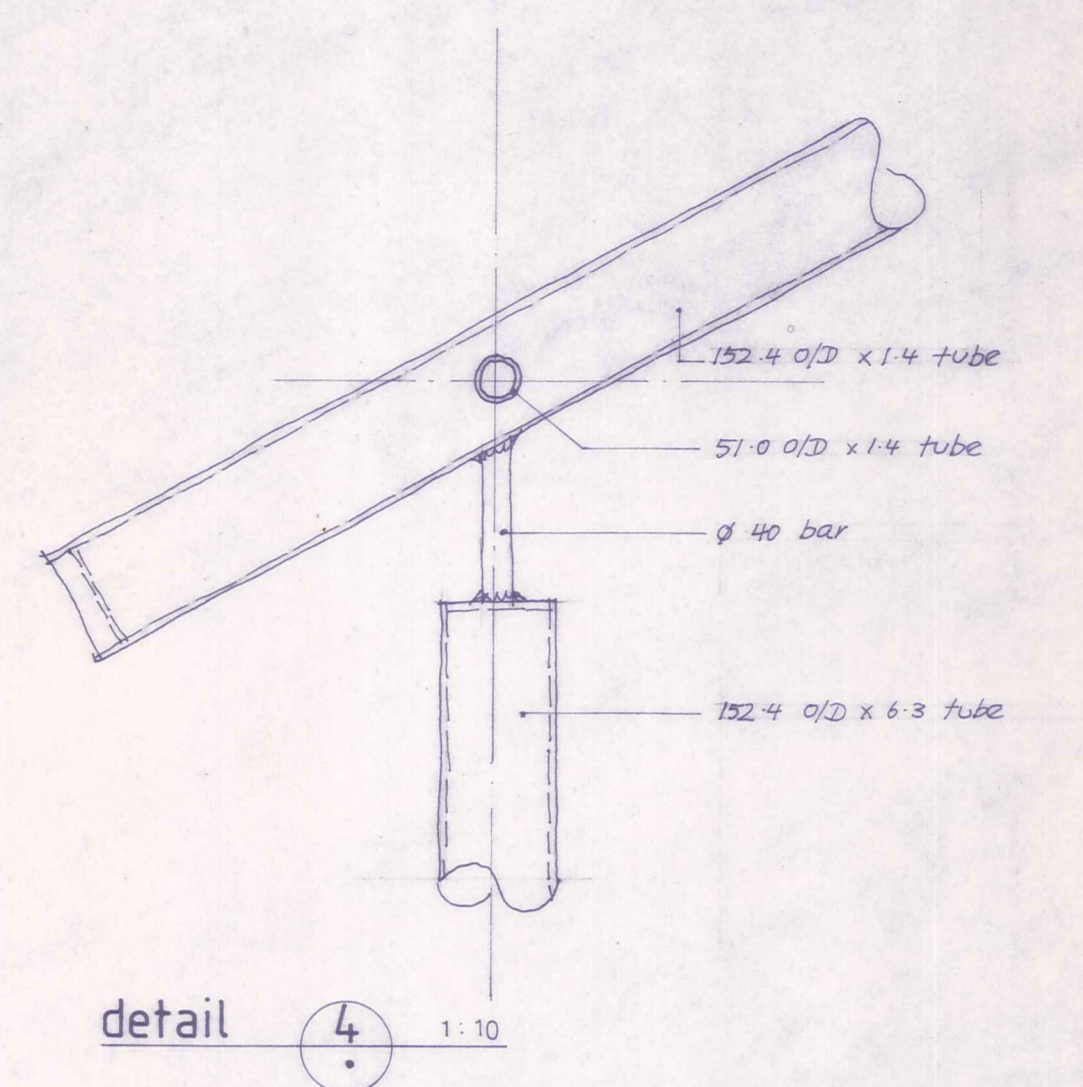
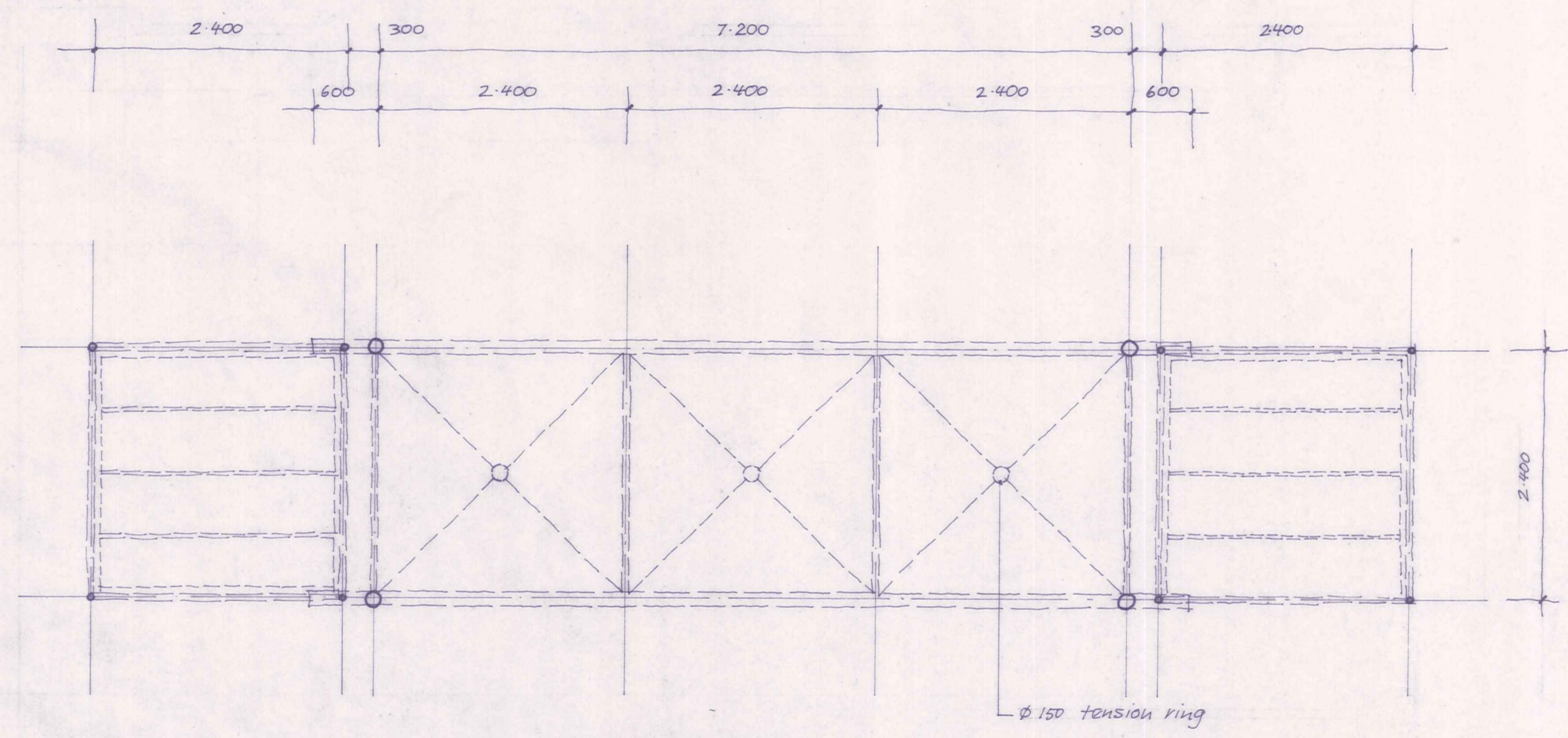
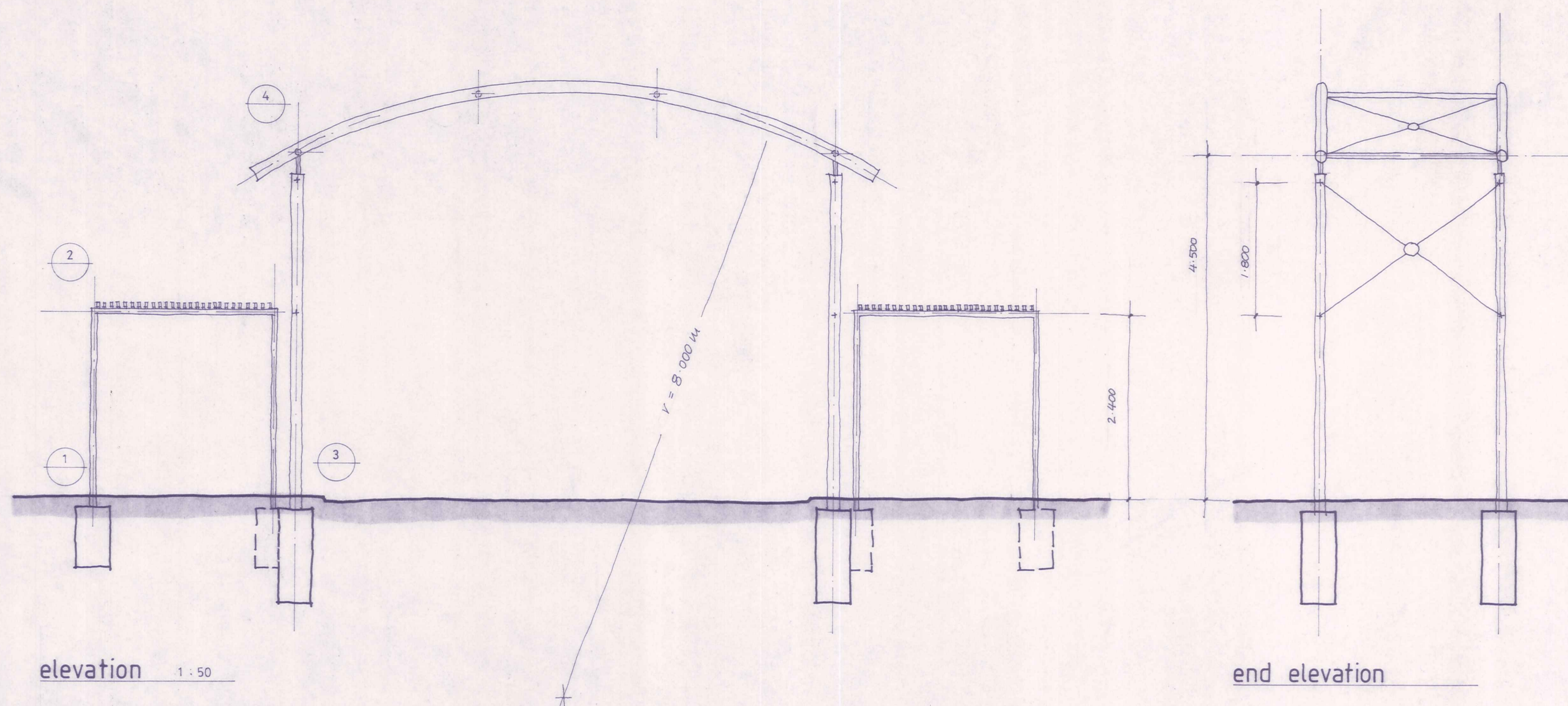
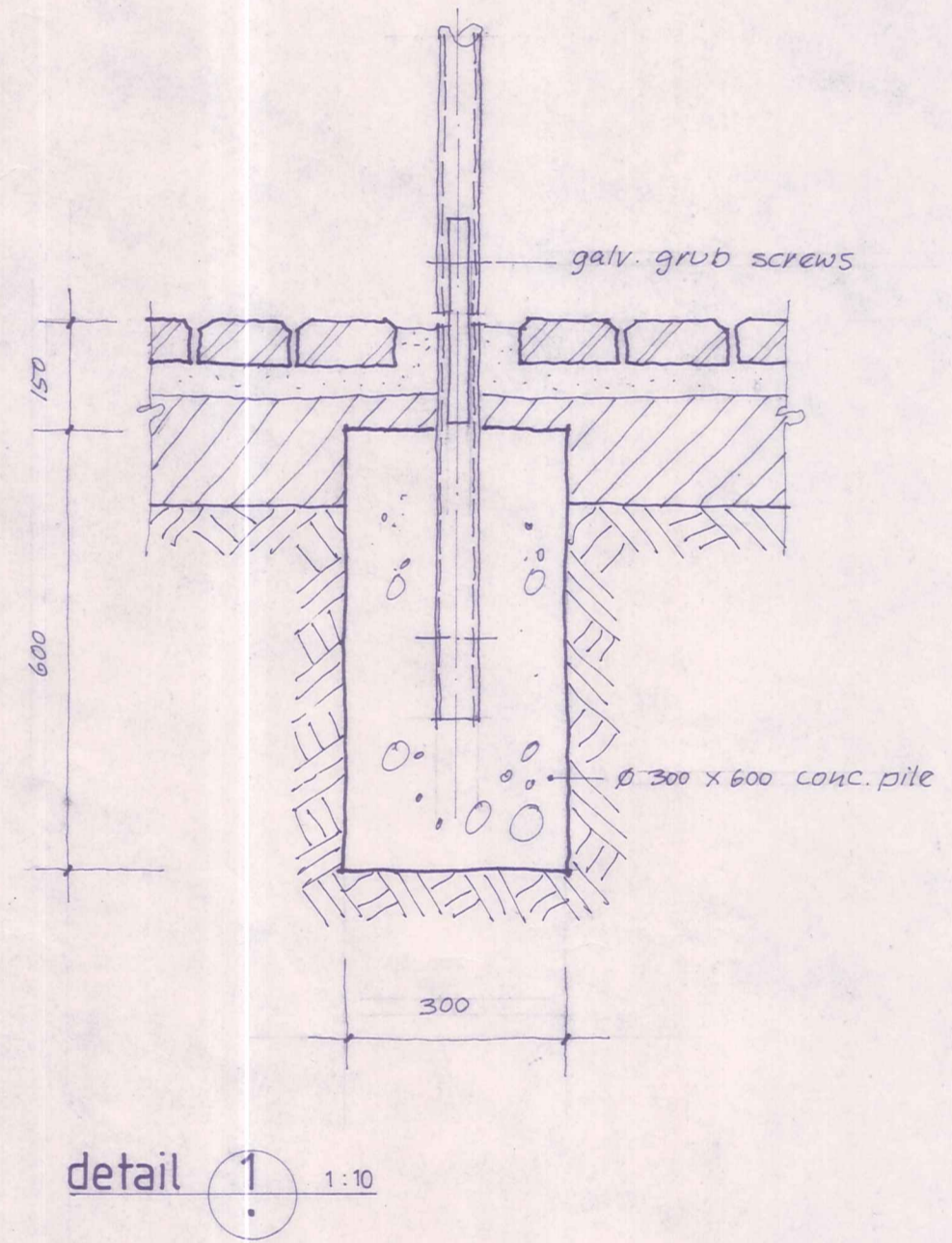
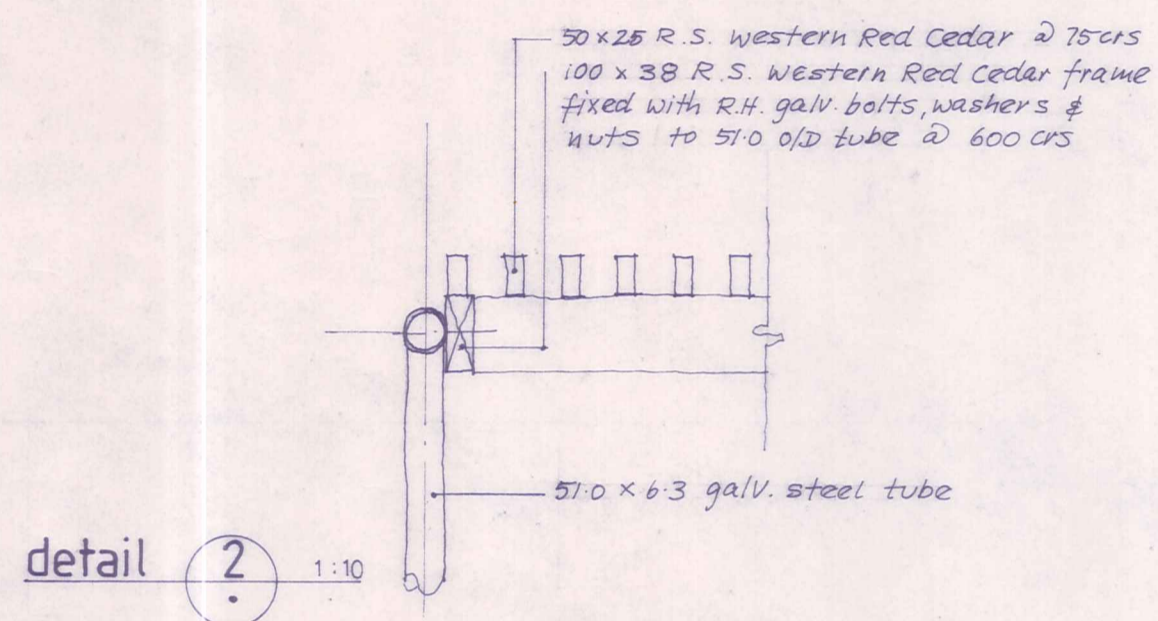
seat 1:5

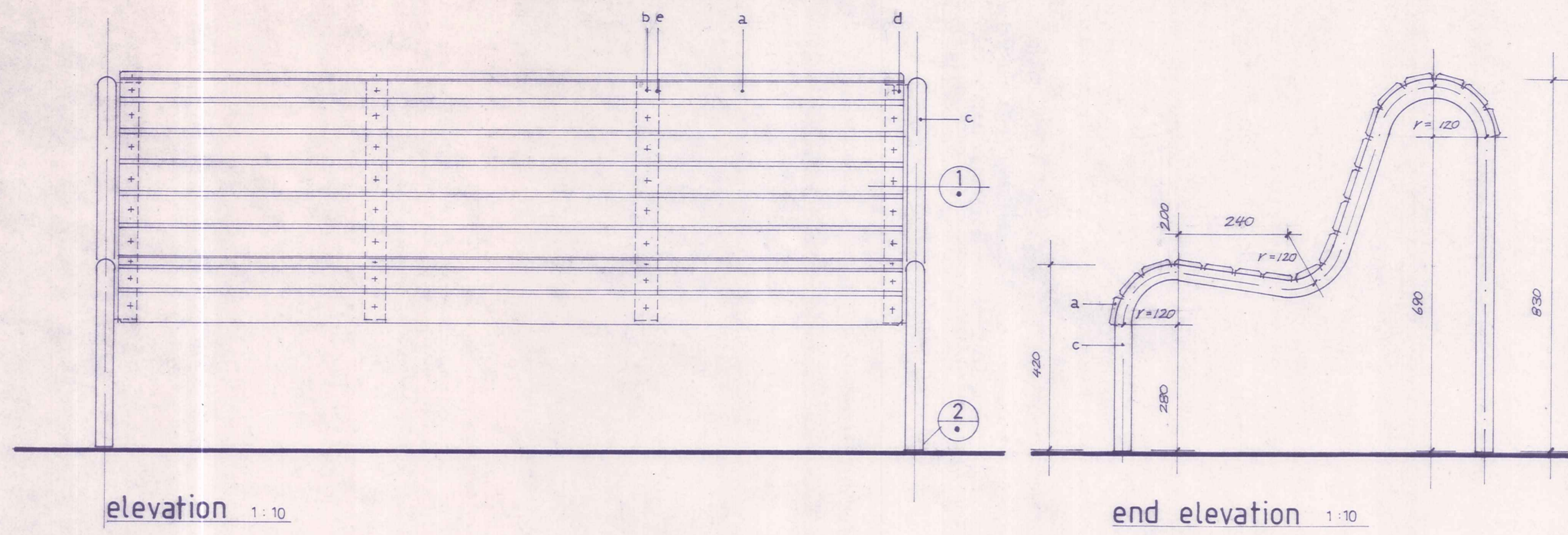


light pole 1:20

- Legend:**
- a 80s Firth Stockholm interlocking paving
  - b 50 mm sharp sand
  - c 150 mm compacted hardfill
  - d 70.0 o/d x 1.6 galv. m.s. tube paint finish
  - e 8.20 solid bar with 10 mm plate set into pocket of concrete edging & plaster over
  - f 150 x 600 concrete edging (ref. engineers drawings)
  - g 100 mm crushed metal top soil
  - h 101.6 o/d x 3.0 galv. m.s. tube with 127.0 o/d x 8.5 sleeves as shown. Finish top ex. 6 mm flat hot dip galv. completed assembly & paint finish
  - i 150 x 600 concrete edging (ref. engineers drawings)
  - j 100 mm crushed metal top soil
  - k 10 mm dot
  - l 75 MPA concrete foundation pile
  - m 420-450 x 600 galv. steel liner (Timware Industries - Dunedin)
  - n Richardson Pacific Permetal 329 galvanised riveted
  - o 50 x 6 mm galv. m.s. strap circular frame
  - p 75 x 6 mm galv. m.s. strap brace
  - q 200 x 200 x 10 m.s. flat
  - r 38.0 o/d x 1.4 galv. m.s. tube paint finish
  - s spigot
  - t rivet
  - u Ramset masonry bolt
  - v 300x300x200 concrete block
  - w 400 staff sphere ref. 051 833 staff catalogue
  - x 102.0 staff steel pole ref. 410 149 staff catalogue
  - y Staff below ground mounting accessories
- Firth Stockholm 80 mm pavers dark brown  
 Firth Stockholm 80 mm pavers red  
 All pavers laid in herringbone pattern parallel to kerb

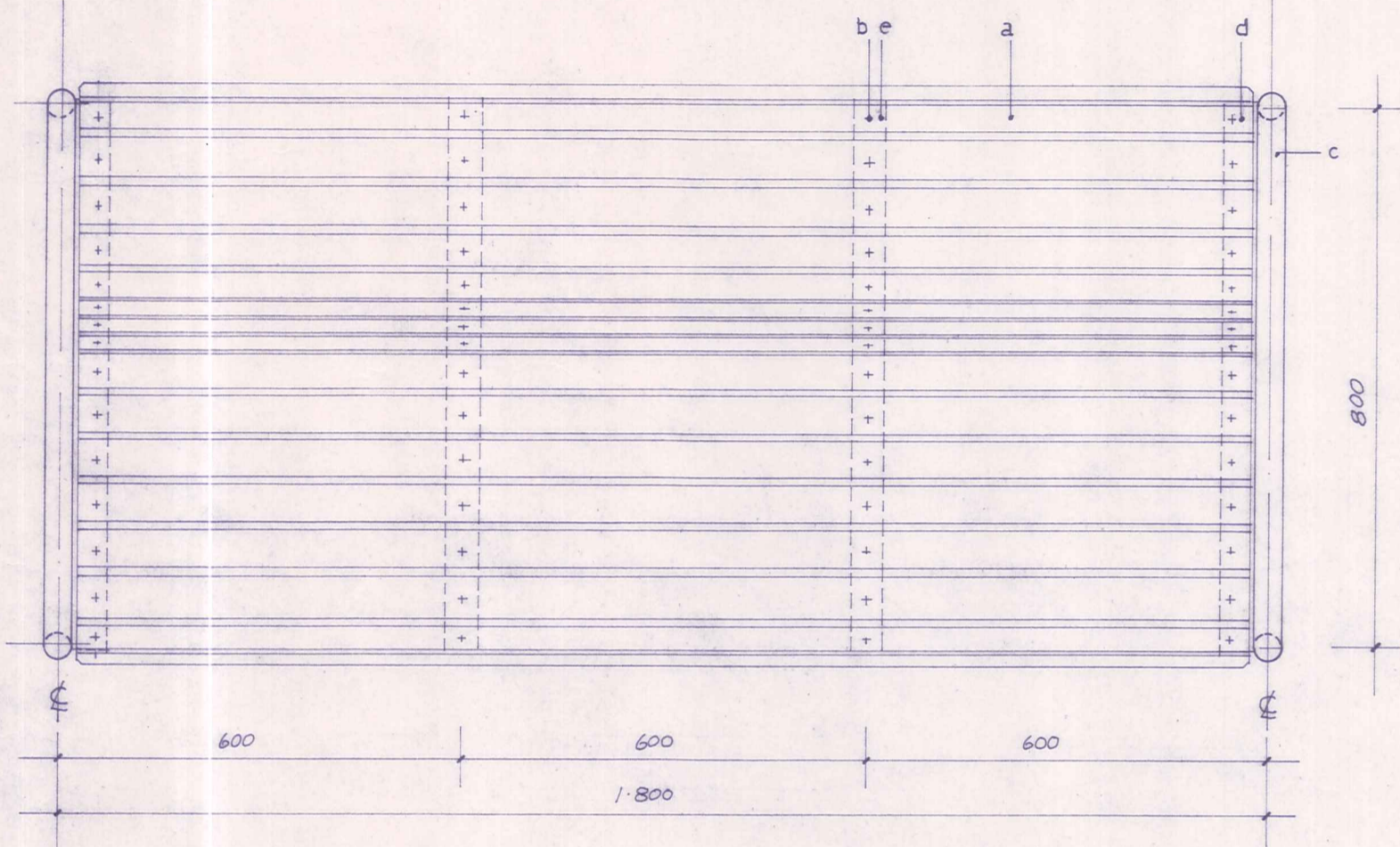




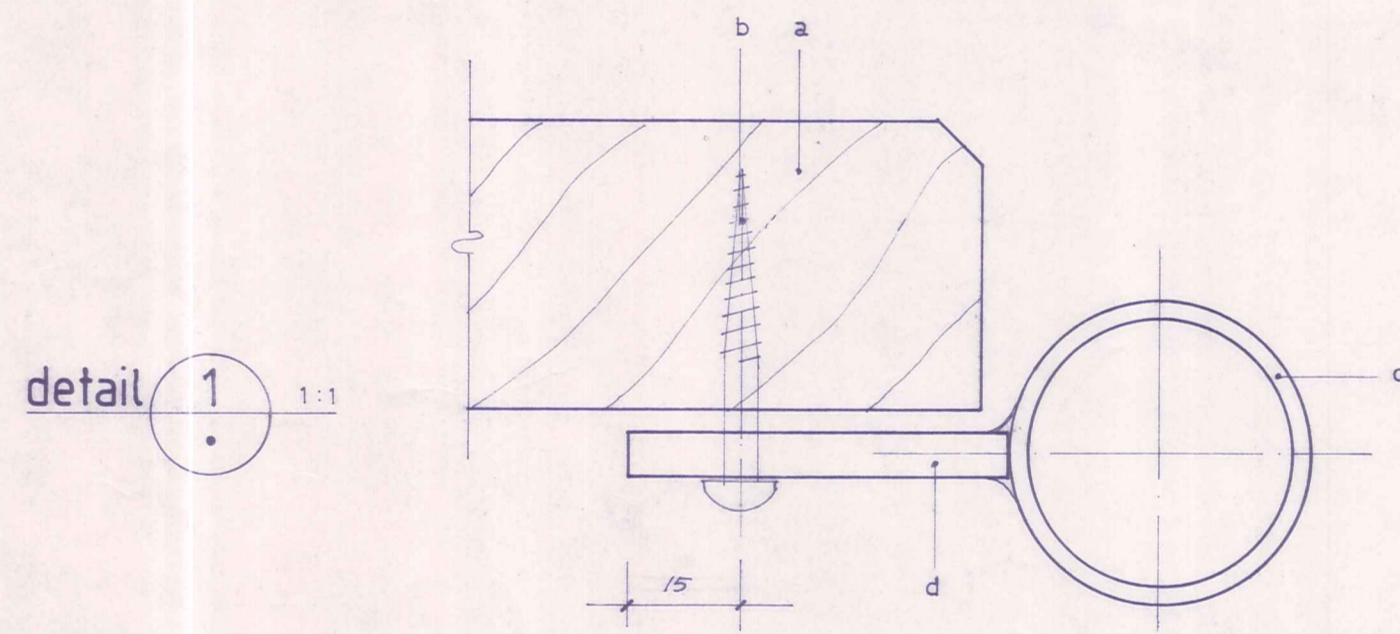


elevation 1:10

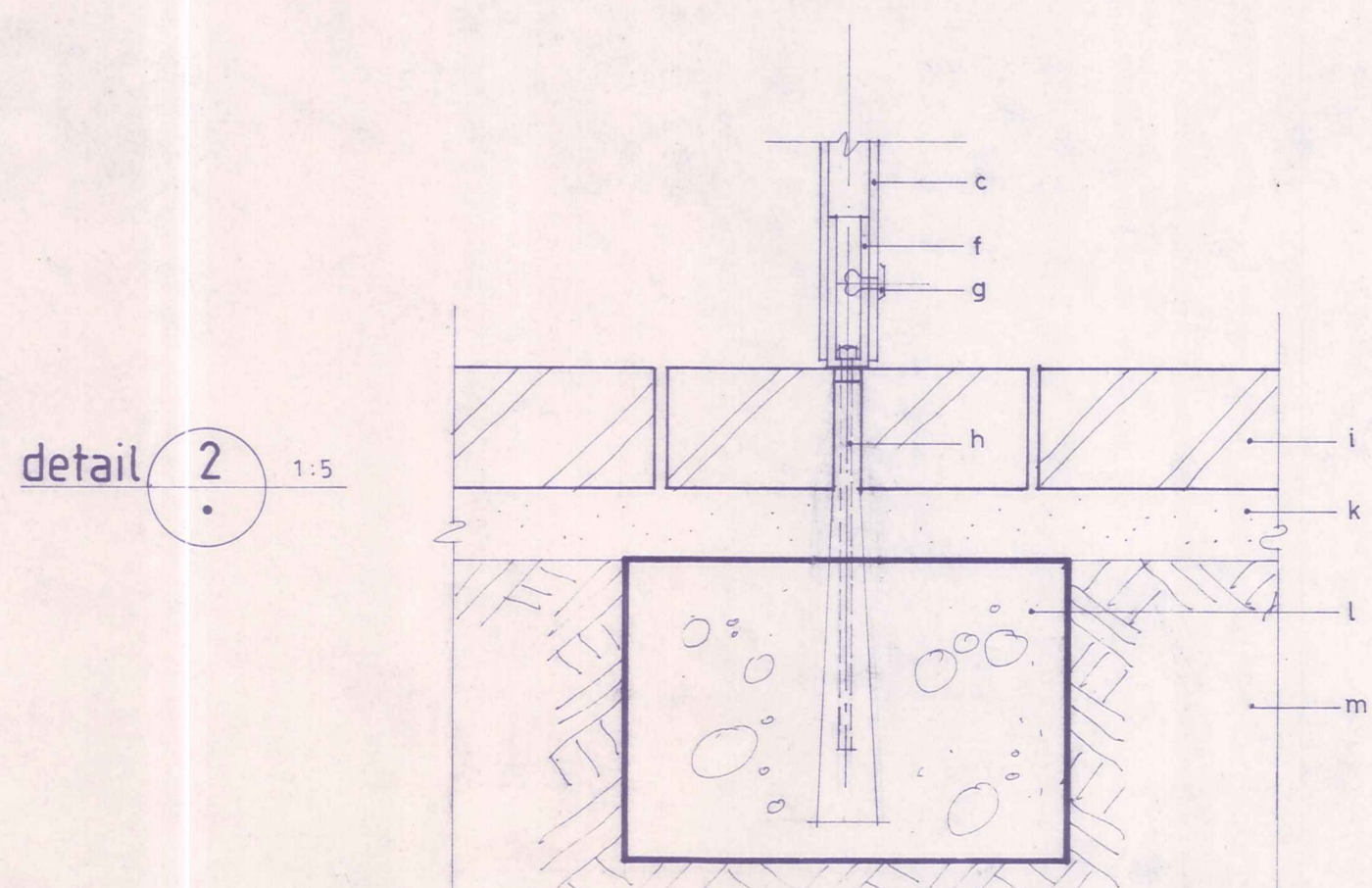
end elevation 1:10



plan 1:10



detail 1 1:1

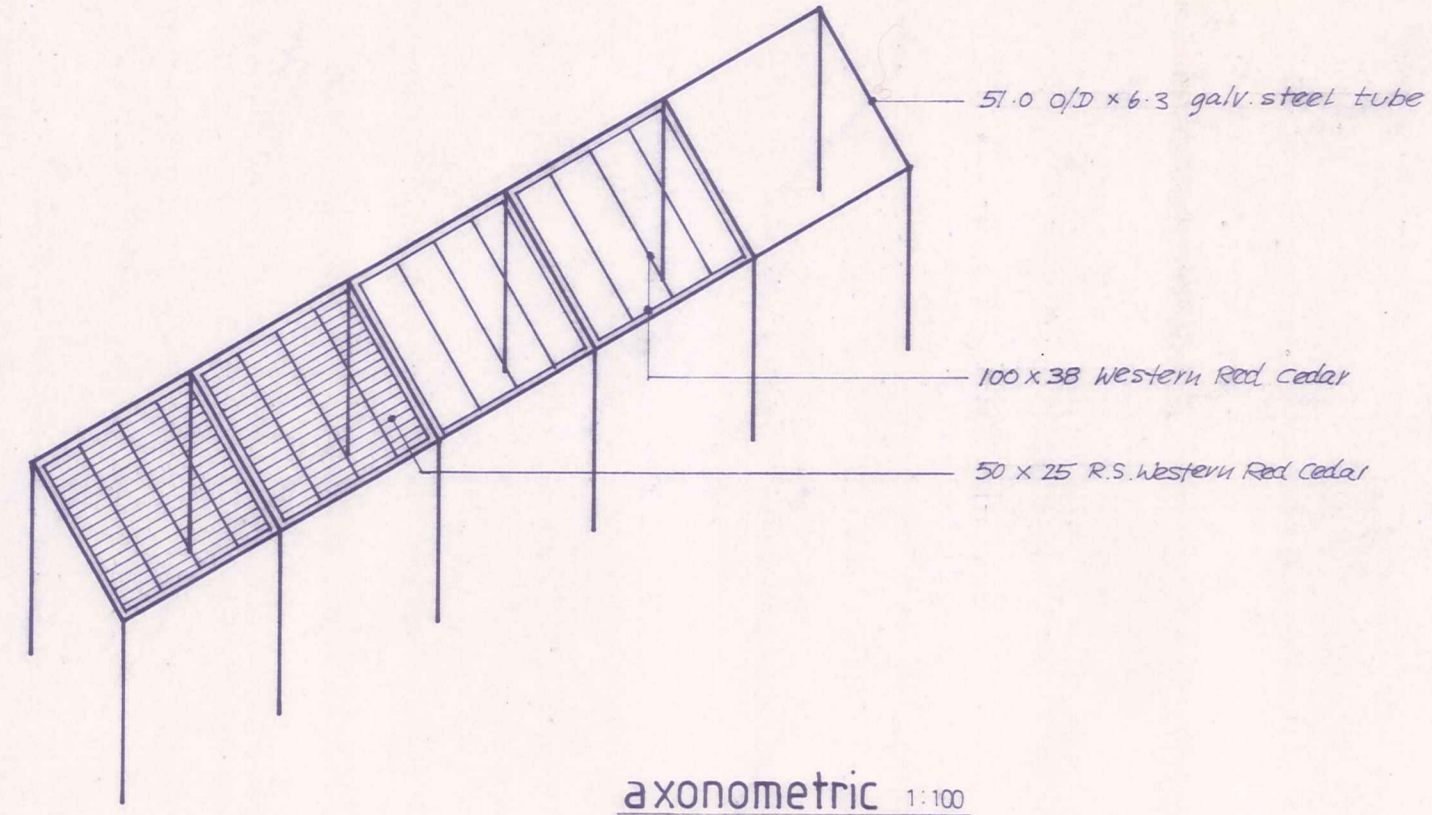


detail 2 1:5

TIMBER SLATTED BENCH SEAT

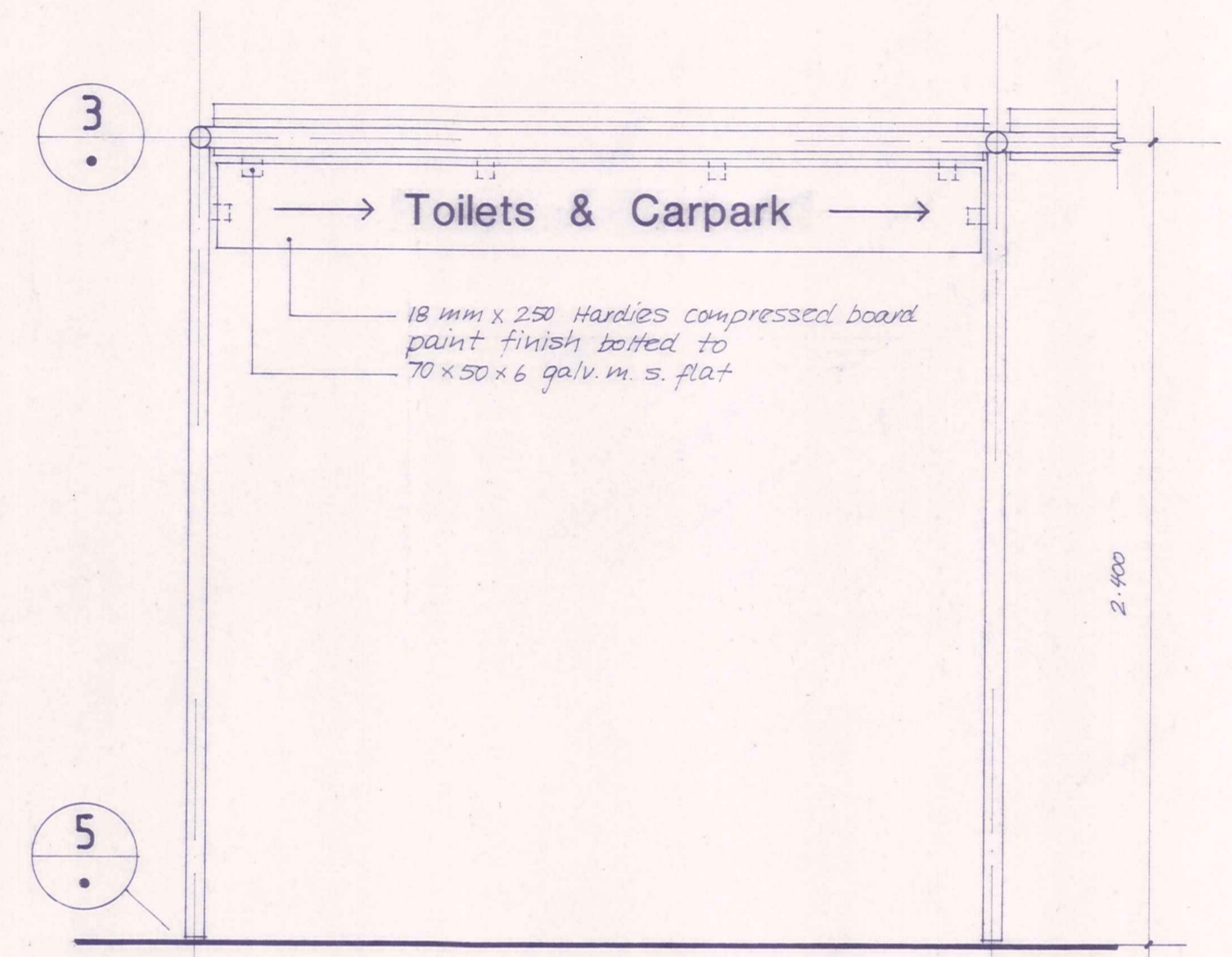
- a 4x 40 x 75 mm hardwood slats, untreated, edges chamfered (Eucalyptus obliqua or Eucalyptus globoides or Eucalyptus botryoides)
- b 6 x 40 mm galvanised round head screws
- c  $\phi$  38.0 OD x 1.4 galvanised m.s. tube paint finish
- d 6 x 50 mm galv. m.s. flat welded to  $\phi$  38.0 tube, paint finish
- e 6 x 50 mm galv. m.s. flat paint finish

- c  $\phi$  38.0 OD x 1.4 galv. m.s. tube paint finish
- f spigot -  $\phi$  32 x 100 mm galv. tube with lower end plugged
- g rivet on inner side of leg
- h Ranset Dynabolt D 6058 masonry anchor
- i 80's Firth Stockholm pavers
- k 50 mm sharp sand
- l 300 x 300 x 200 concrete
- m 150 mm compacted hardfill

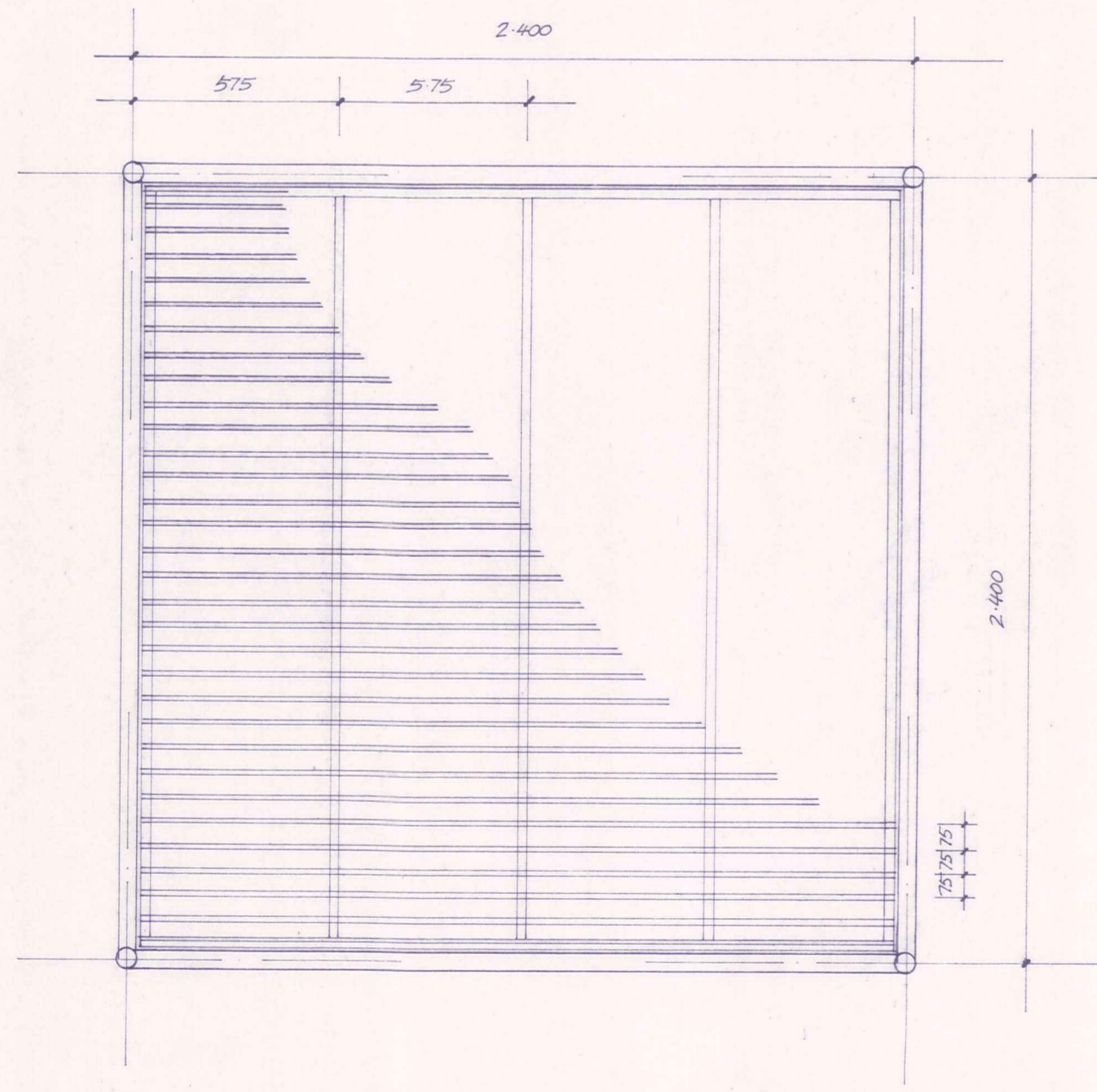


axonometric 1:100

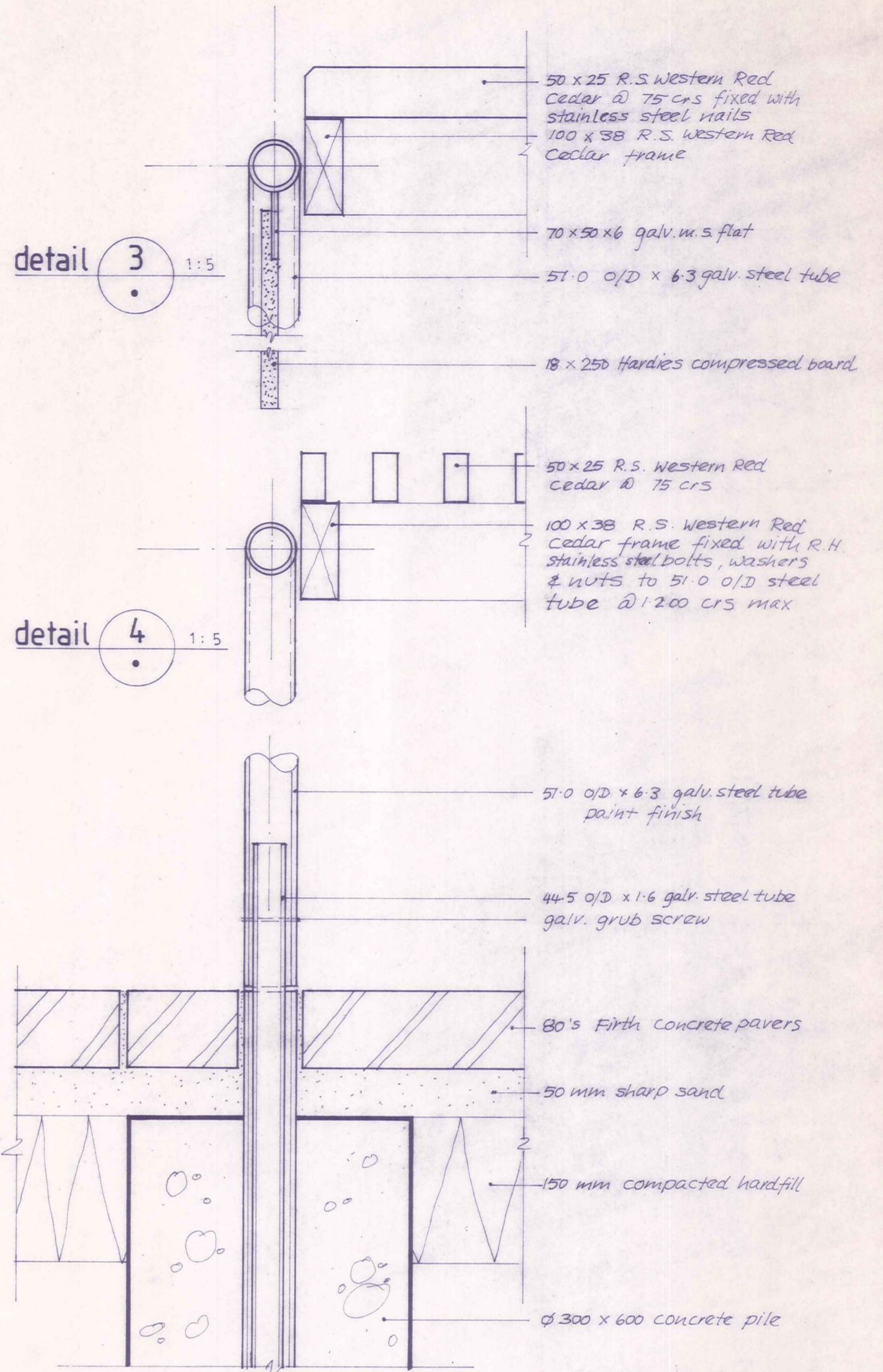
SHADE STRUCTURE



north & south elevation 1:20

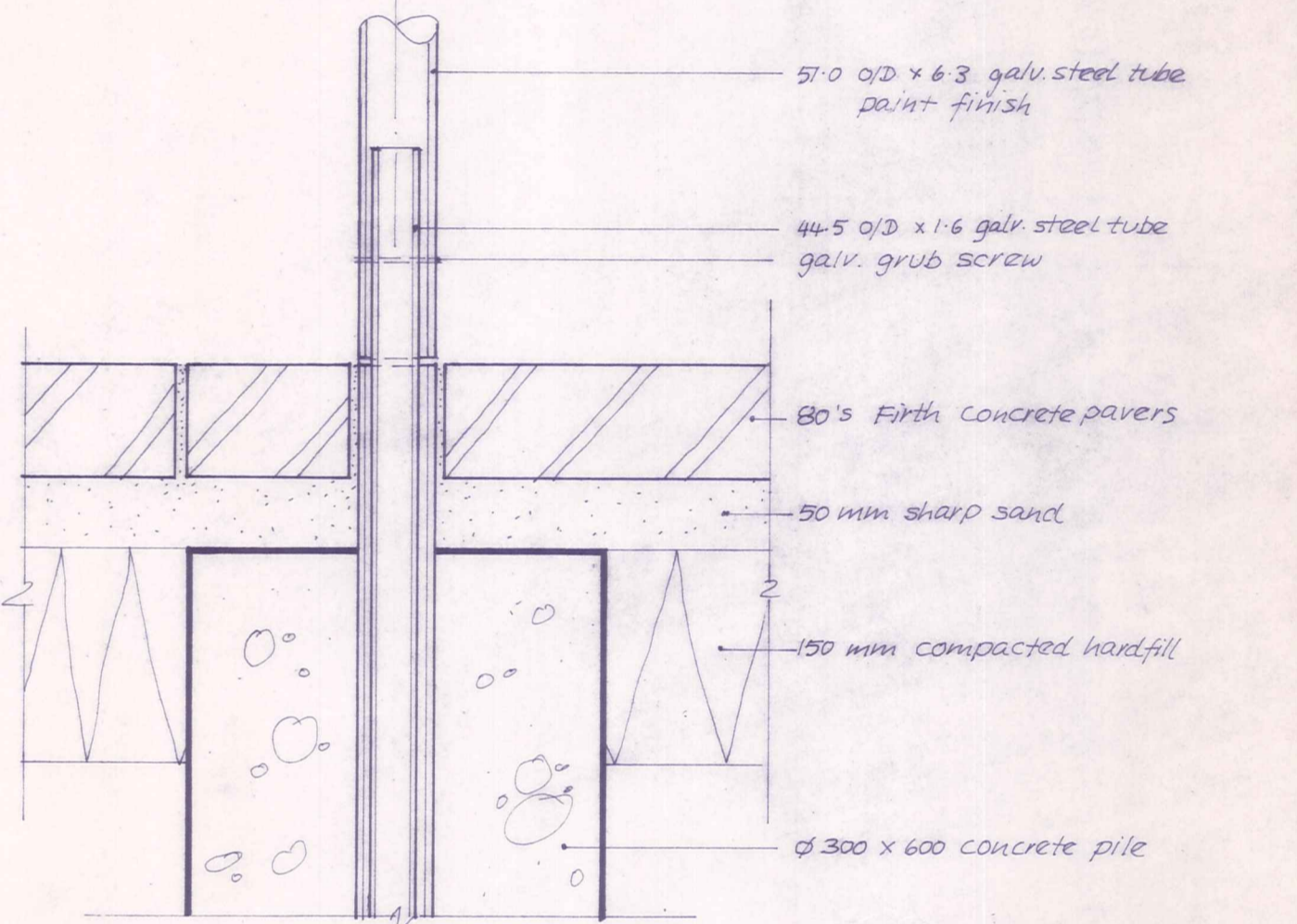


plan 1:20

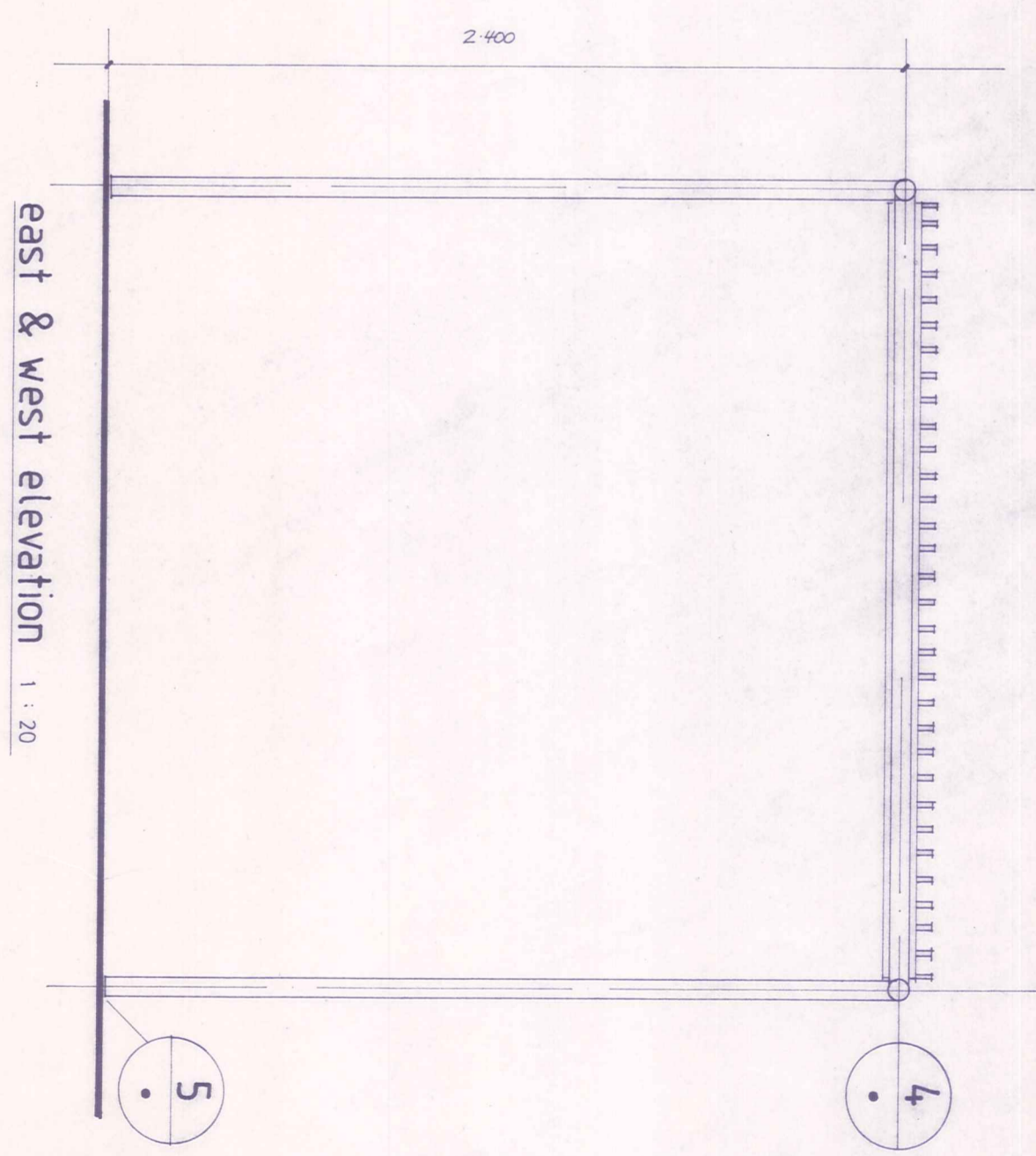


detail 3 1:5

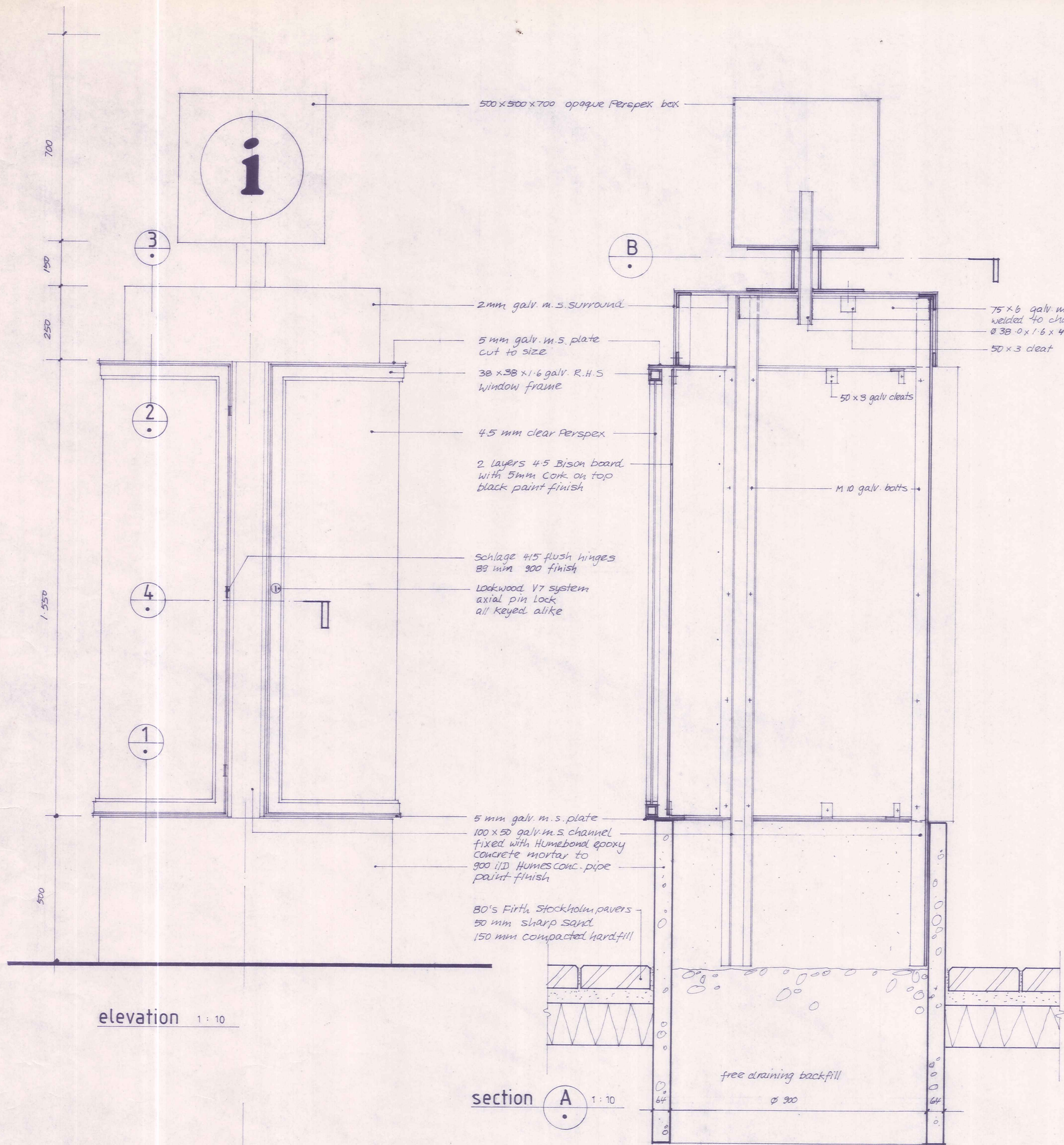
detail 4 1:5



detail 5 1:5

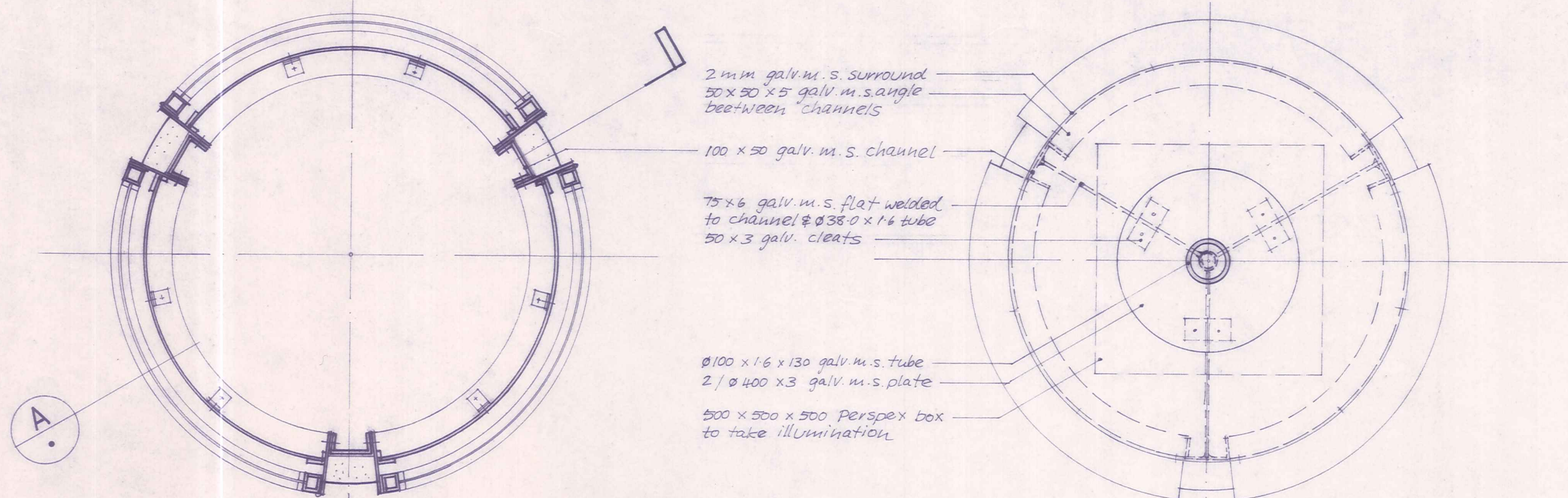


east & west elevation 1:20



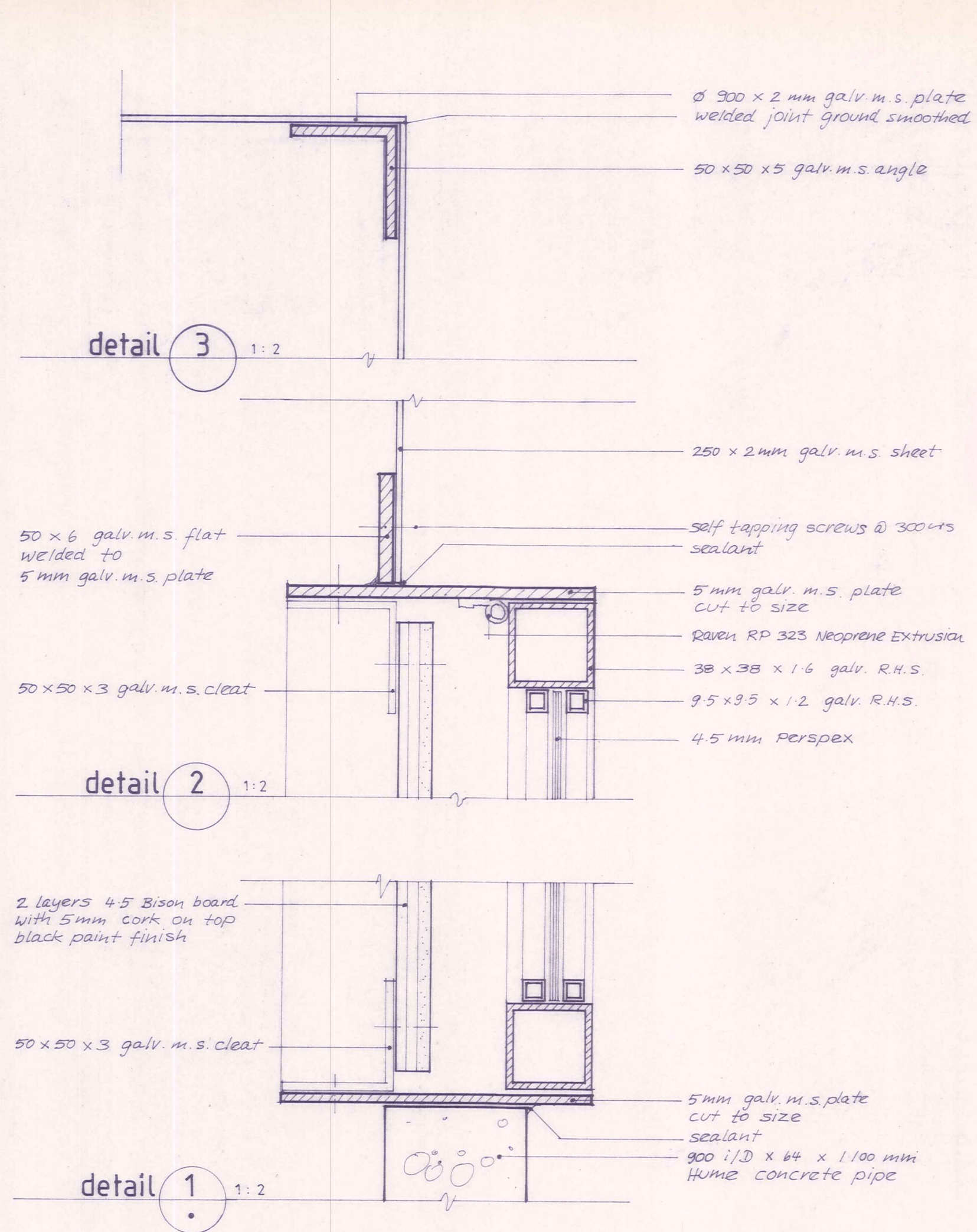
elevation 1:10

section A 1:10



plan 1:10

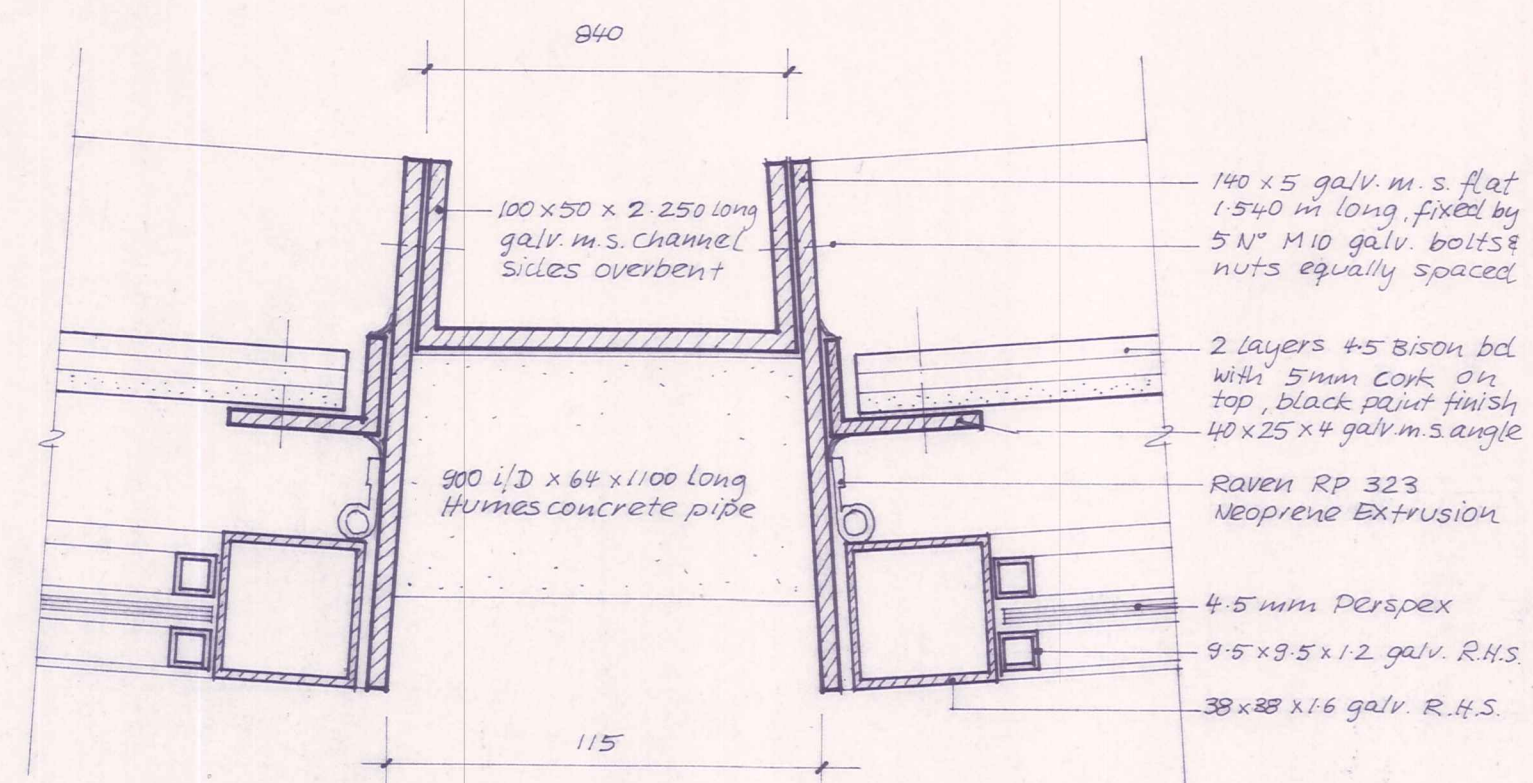
plan at B 1:10



detail 1 1:2

detail 2 1:2

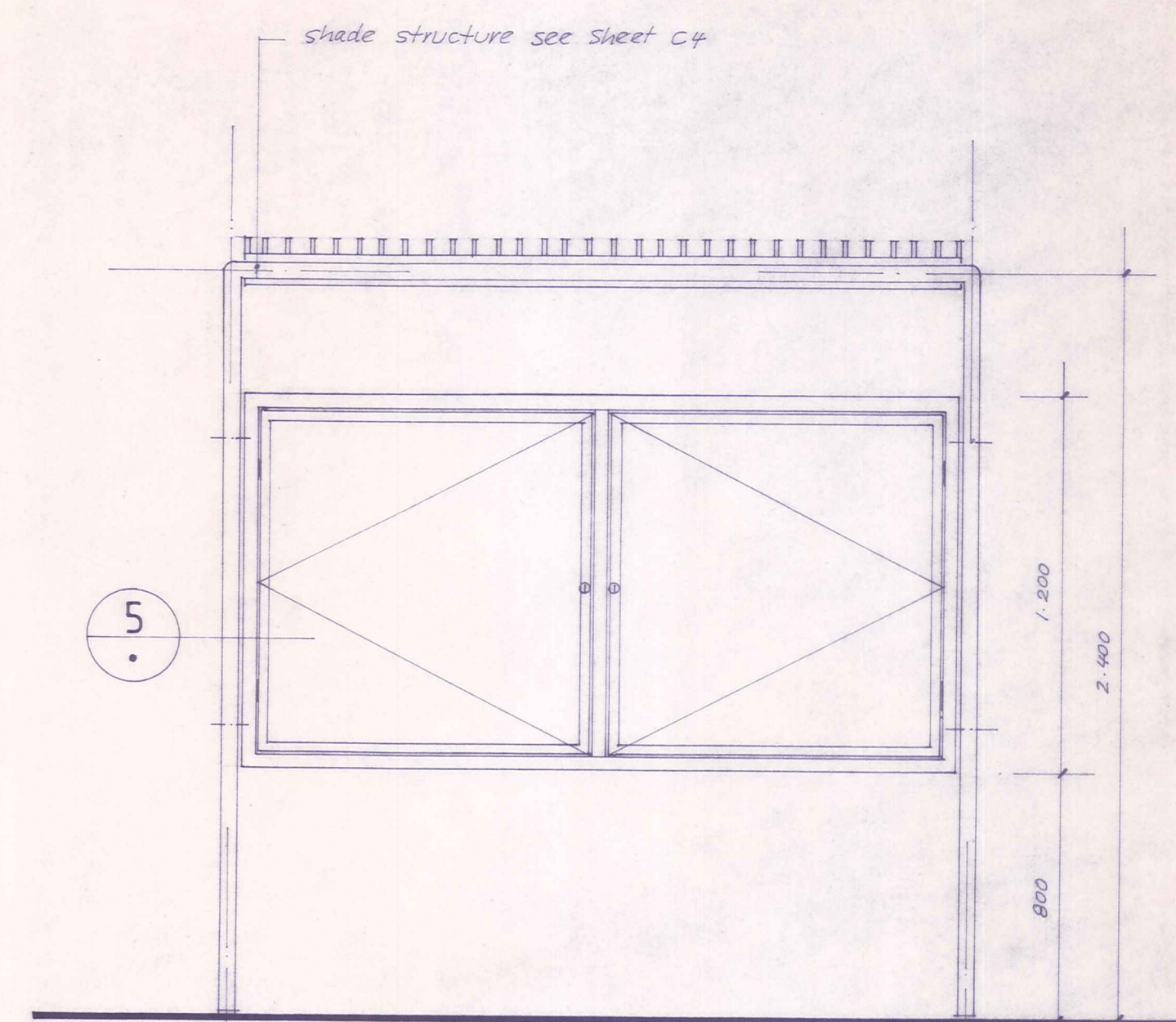
detail 3 1:2



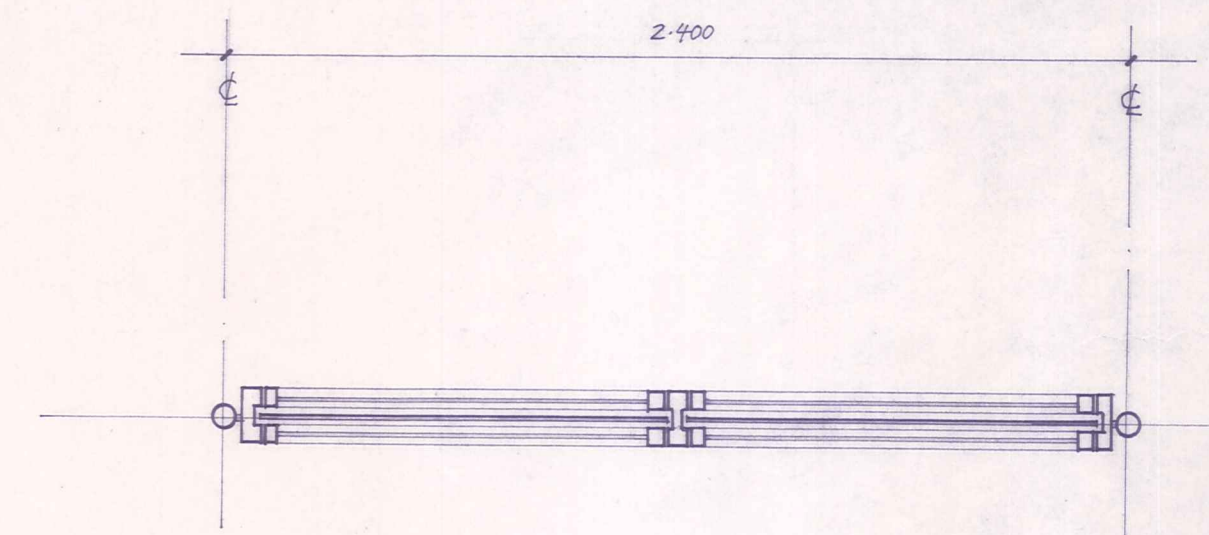
detail 4 1:2

Note:  
All steel to be hot dip galvanised  
AFTER fabrication

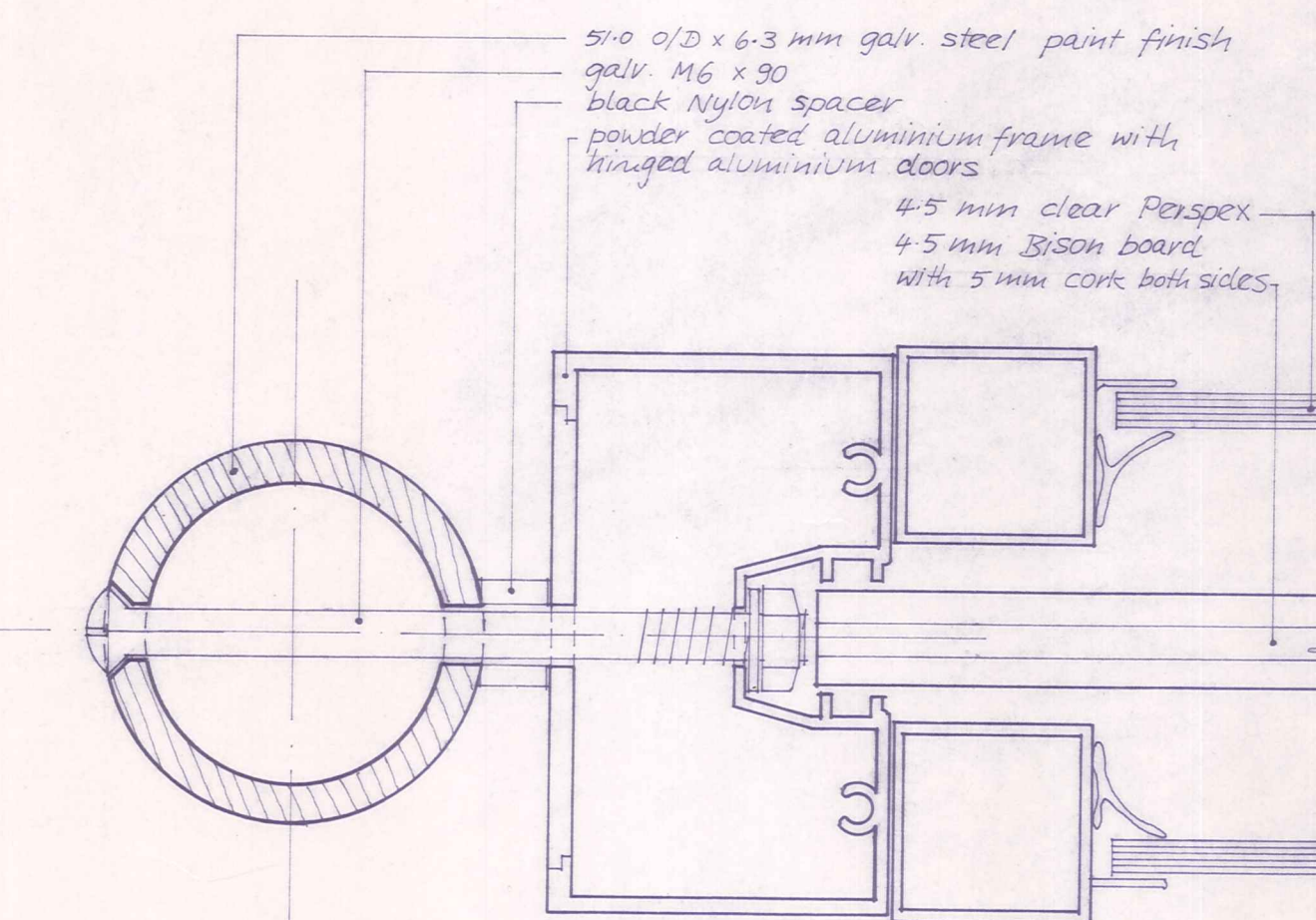
INFORMATION ROTUNDA



elevation 1:20



plan 1:20



detail 5 1:1

OUTDOOR INFORMATION BOARD