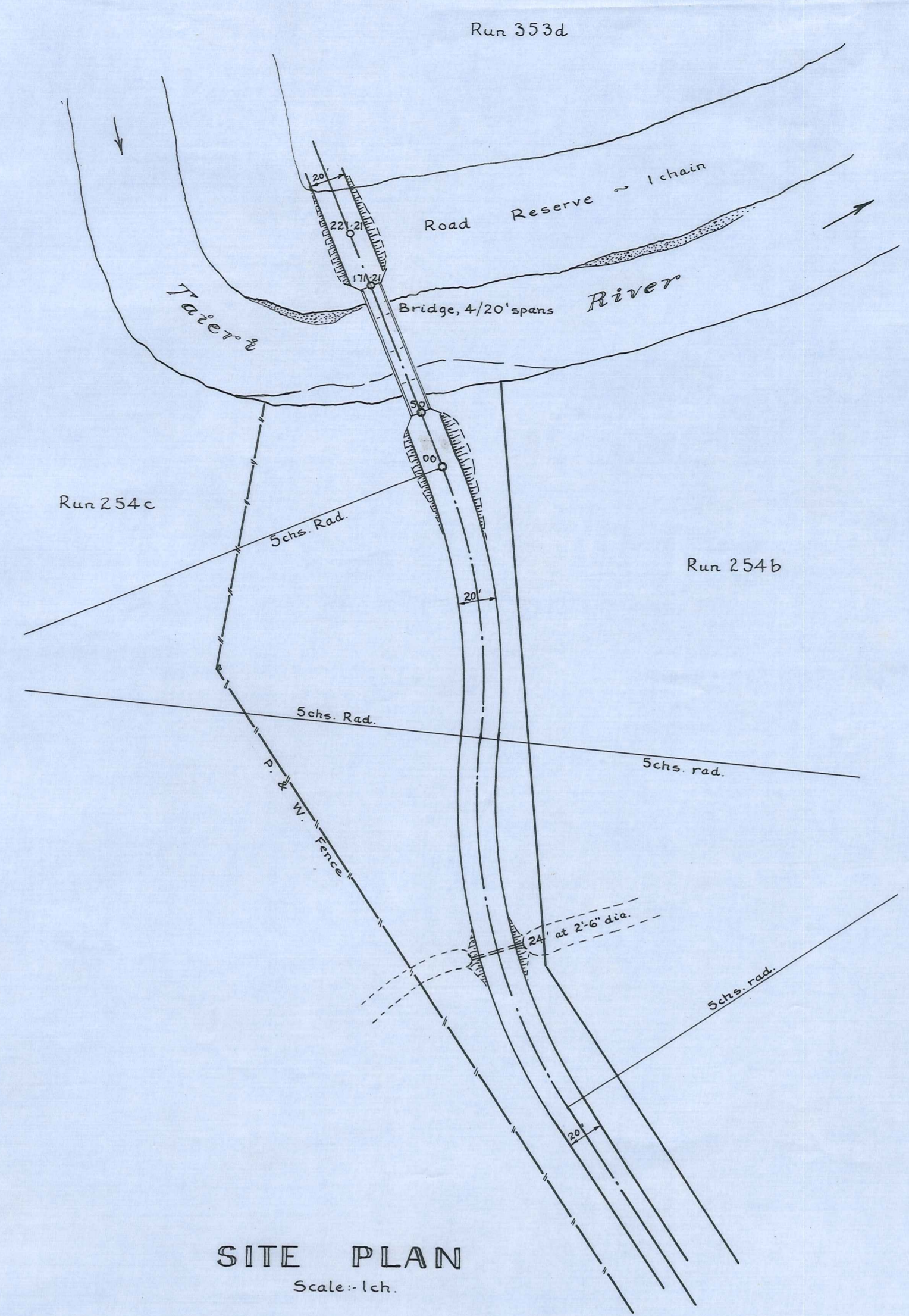
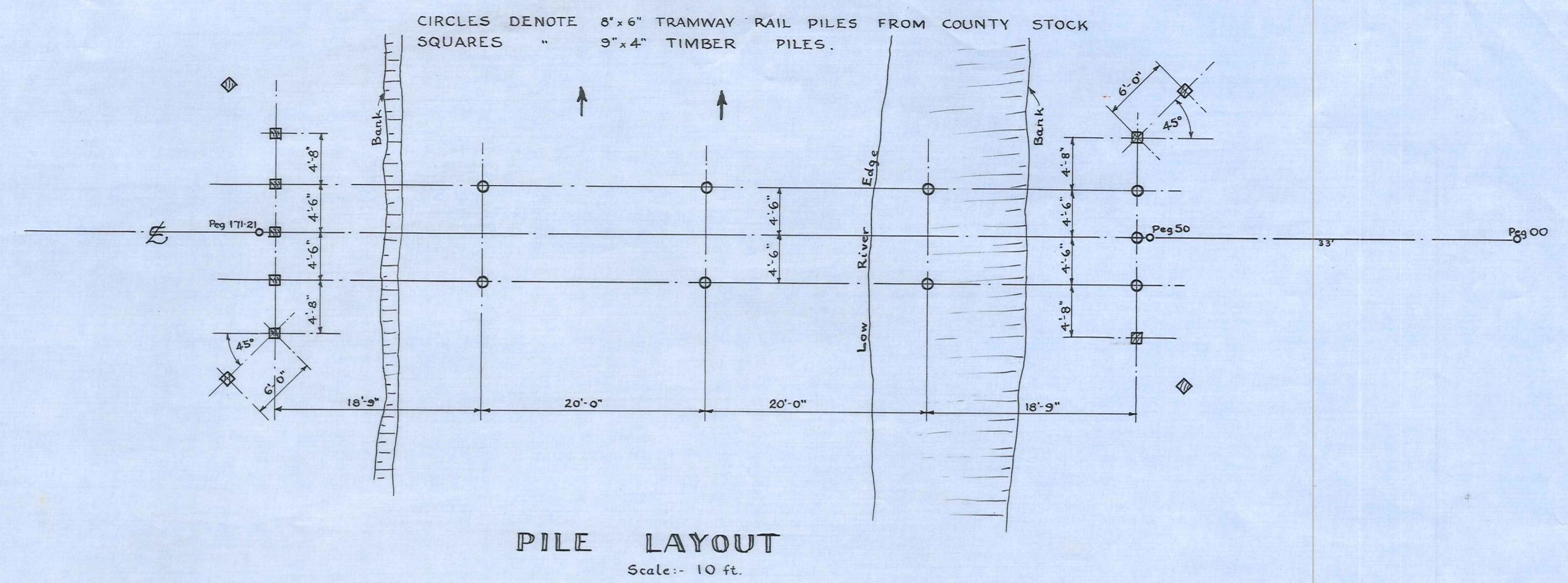


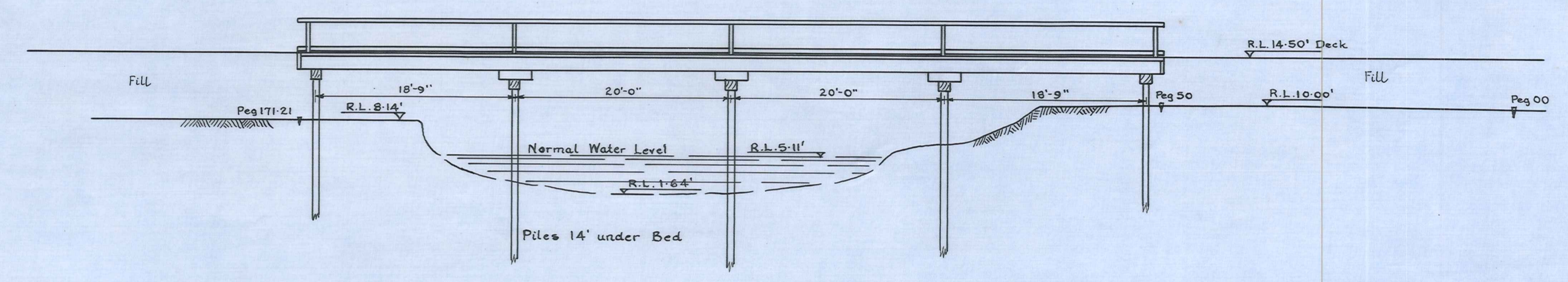
LOCALITY PLAN
Scale: 20 chs.



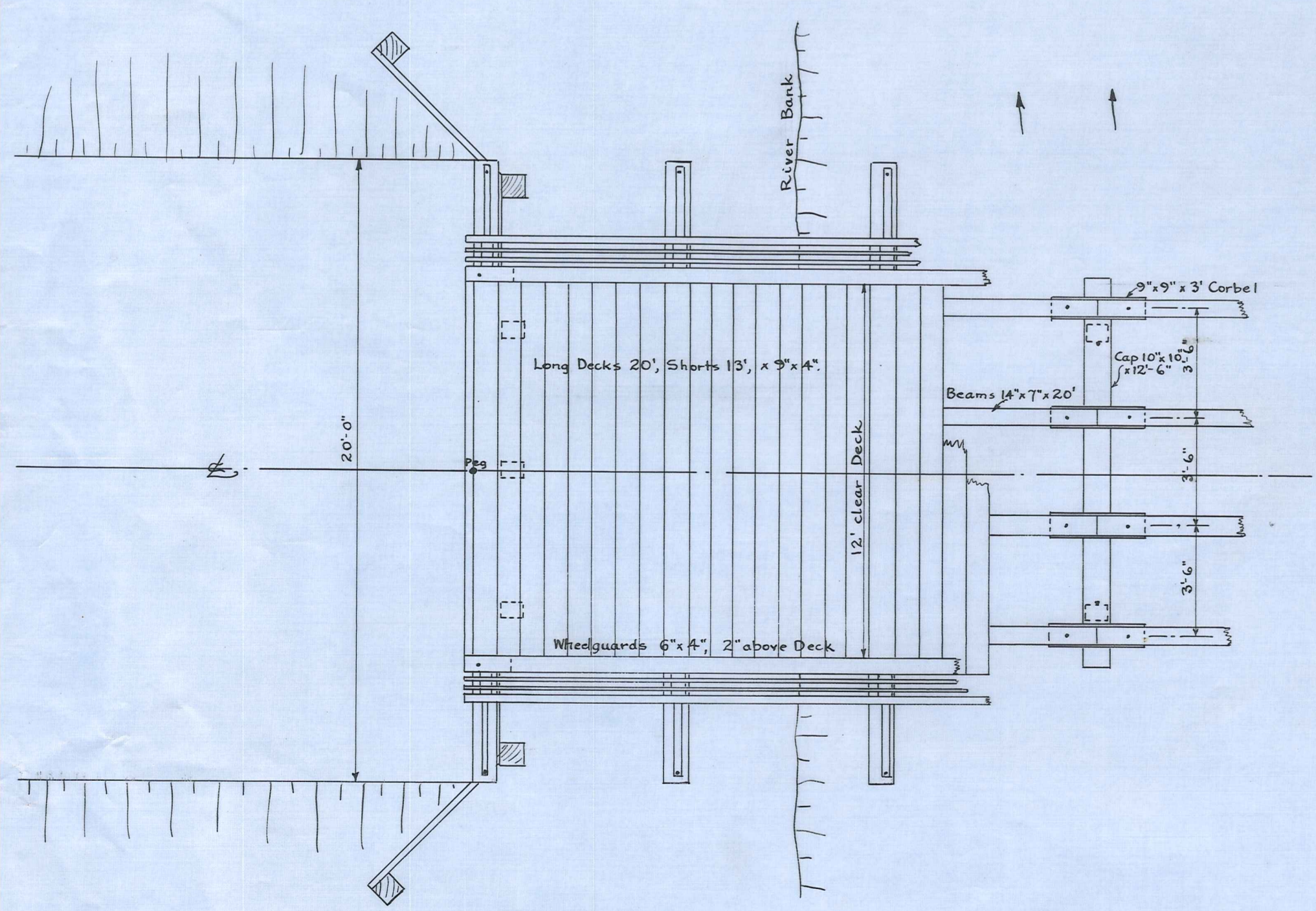
SITE PLAN
Scale: 1ch.



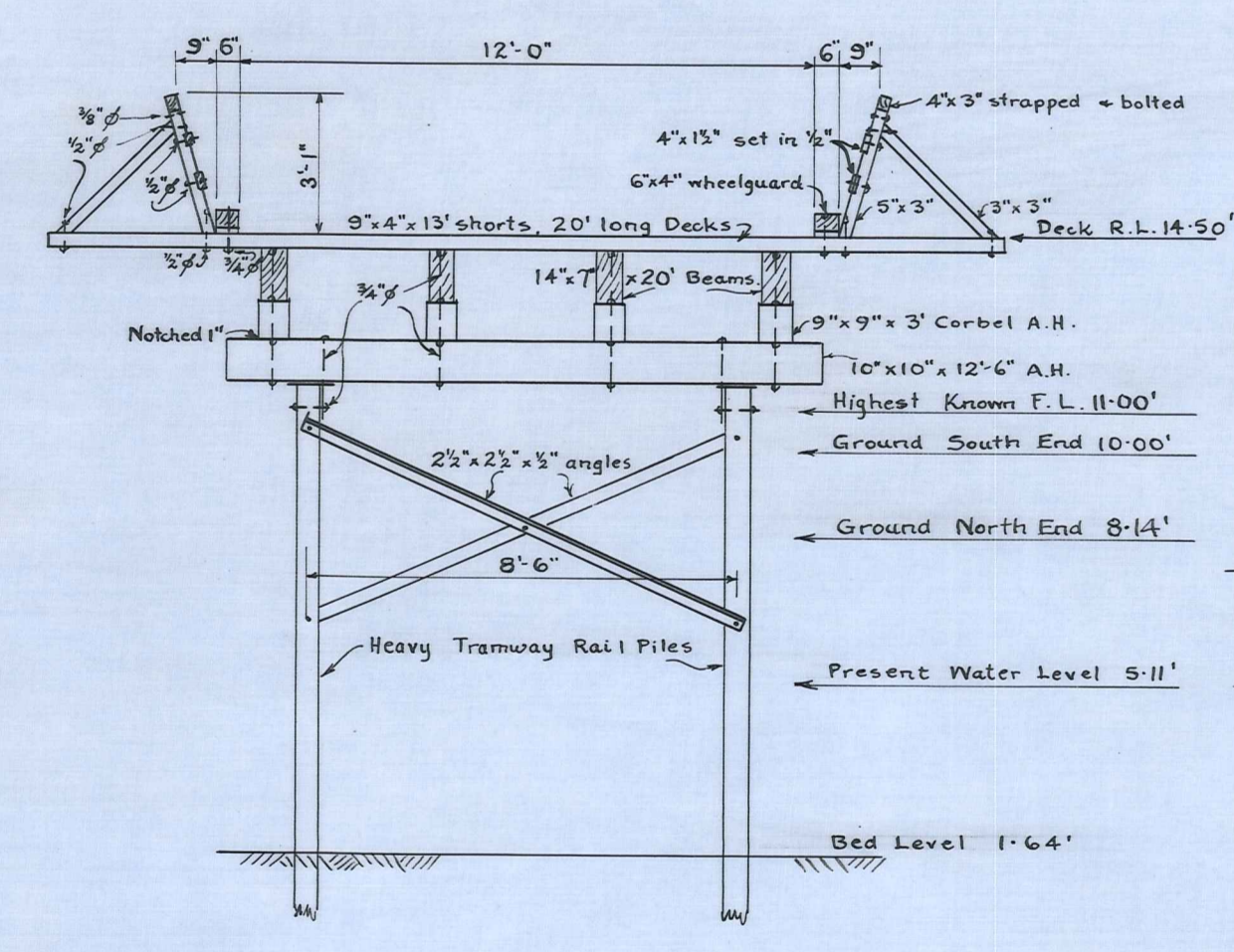
PILE LAYOUT
Scale: 10 ft.



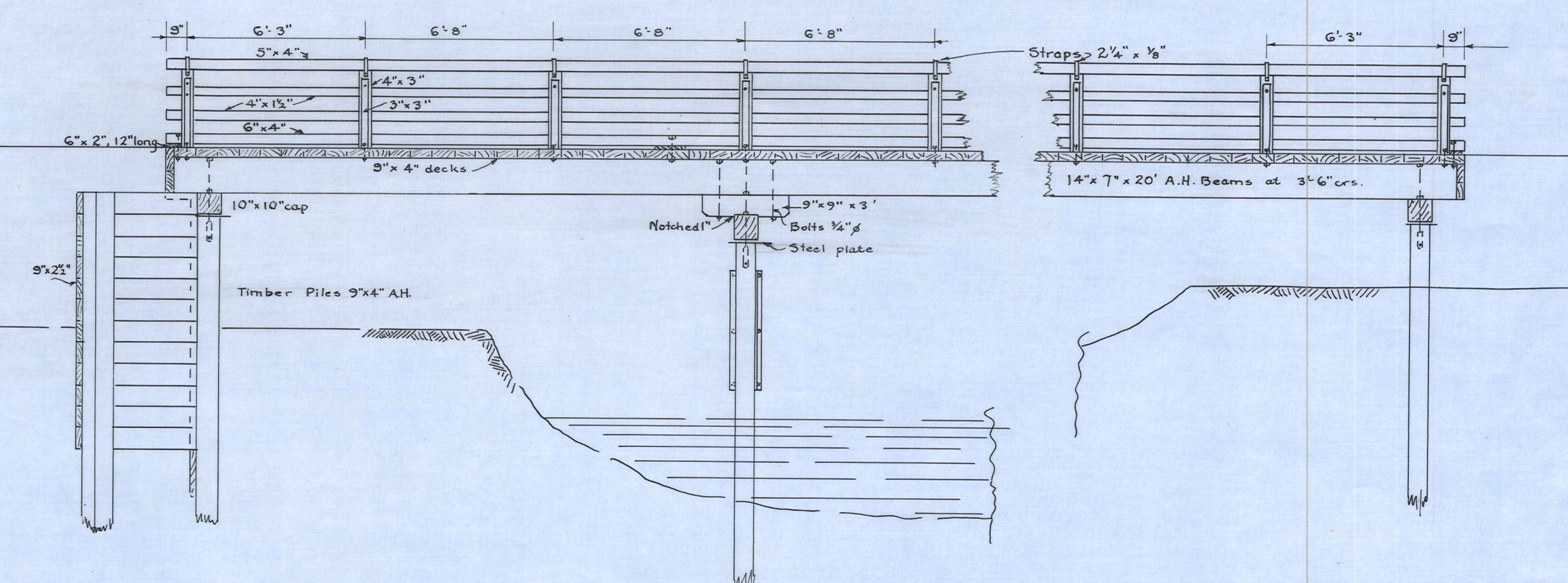
BRIDGE ELEVATION (Abut. piles and sheeting, and handrails omitted)
Scale: 10 ft.



DECK PLAN
Scale: 4 ft.



SECTION AT PIER
Scale: 4 ft.



UPSTREAM ELEVATION
Scale: 4 ft.

LIMIT LOADING. 3 TON AXLE, 5 TON MAXIMUM.

MANIOTOTO COUNTY	BACK BLOCKS ACCESS ~1954/55-56/57 PROGRAMME	SCALES: AS SHOWN
27.6.55 R.J. Black, County Engineer.	PAERAU LINNBURN SCHOOL BUS ROUTE	FILE: 34/3 FOLDER: No 12
CONTRACT No. By County Forces	TAIERI BRIDGE, ACCESS METALLING & CULVERTS	M.C.C. 309.
		ONE SHEET