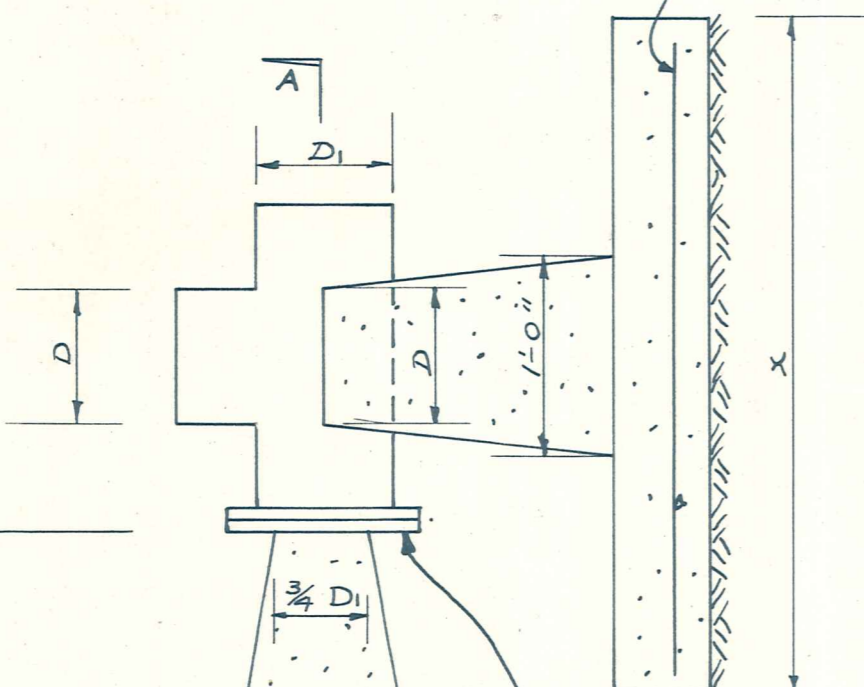


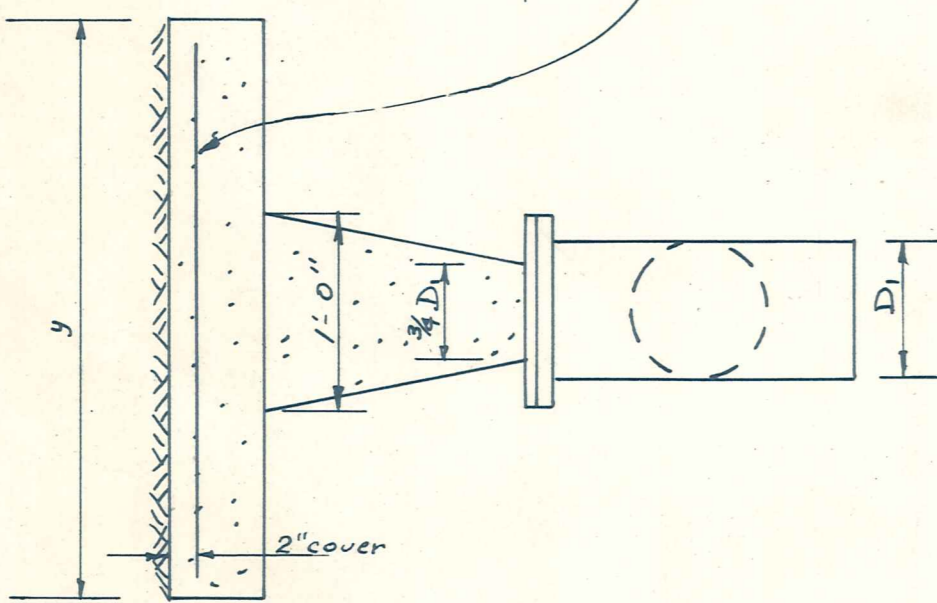
ELEVATION

1/4" dia. bars at 6" e.c. both ways



PLAN

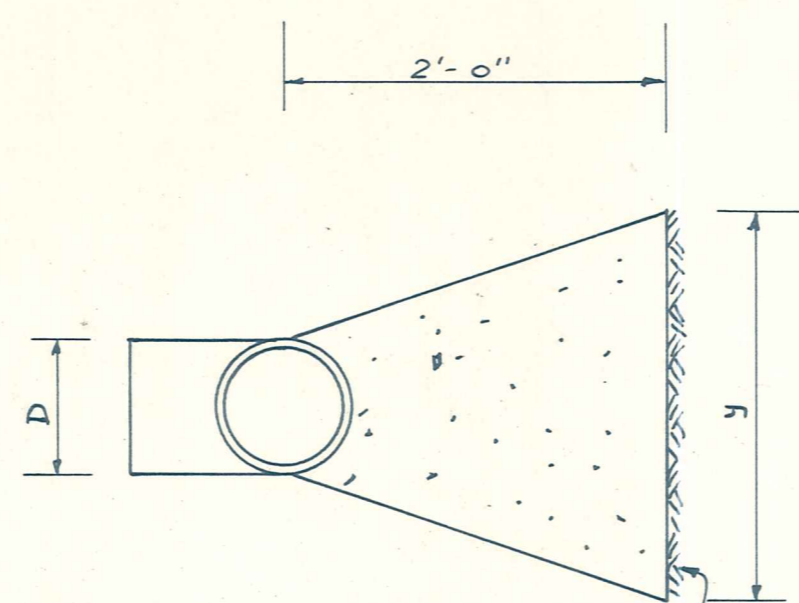
1/2" phi bars at 6" e.c. both ways



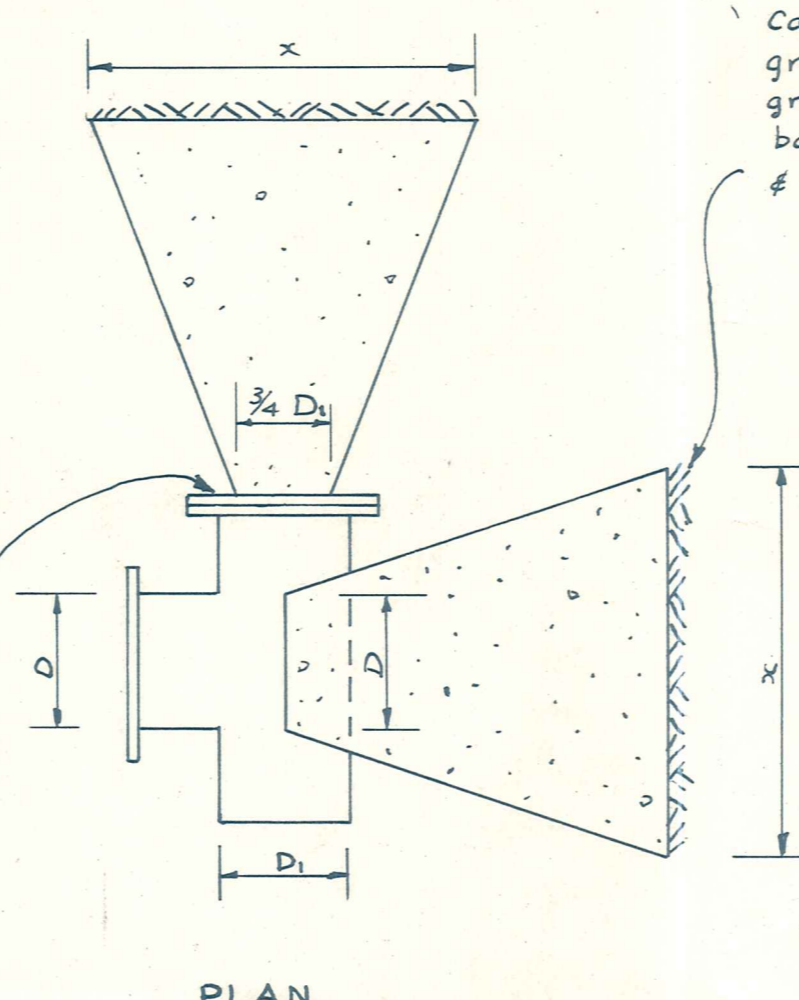
SECTION A-A

TYPE A

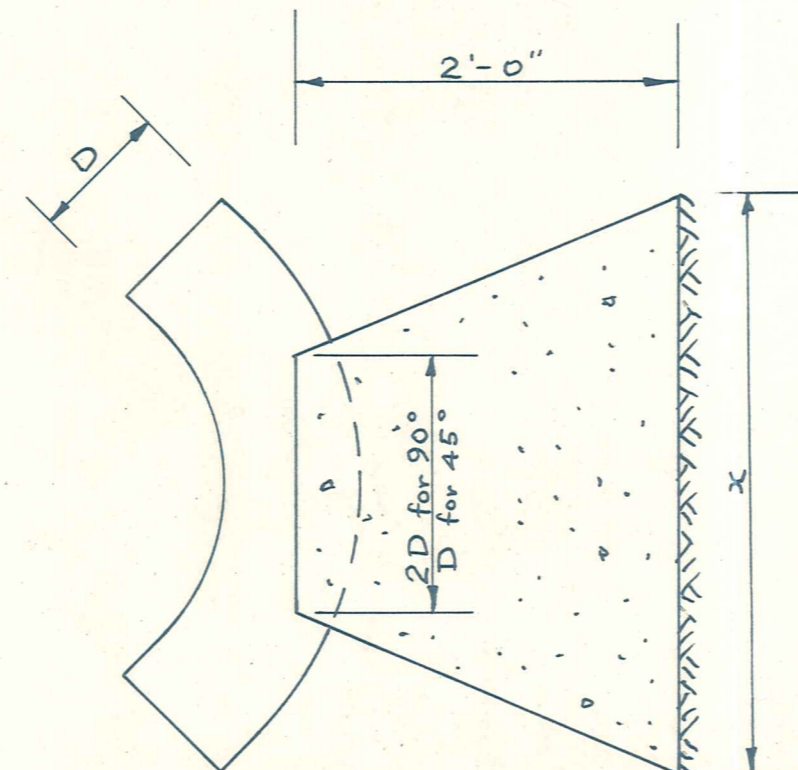
Suitable for high pressures for Tee's Bends & Blank Ends



ELEVATION



PLAN

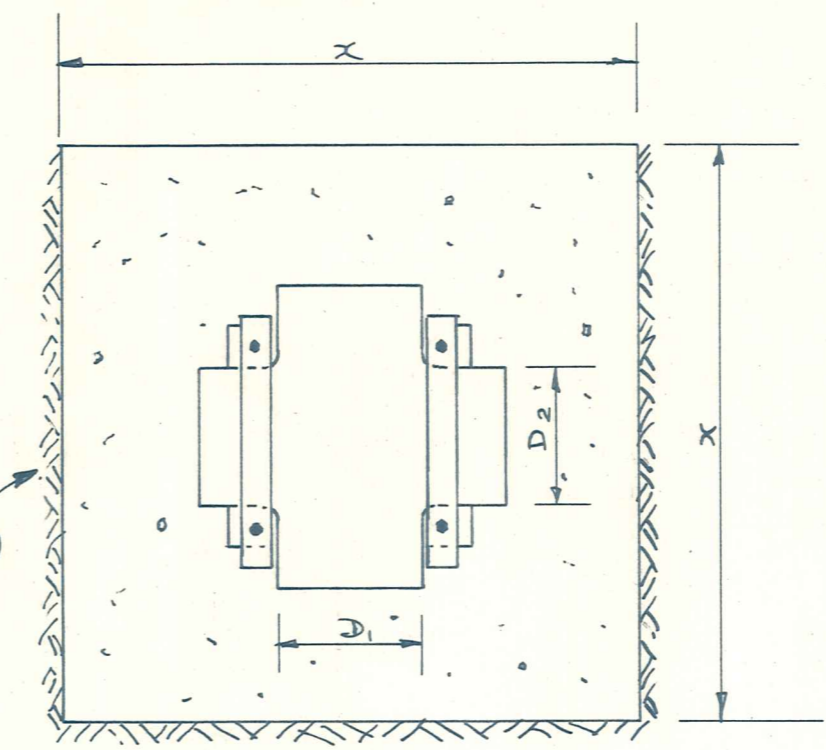


PLAN OF BEND

Elevation similar to Tee above

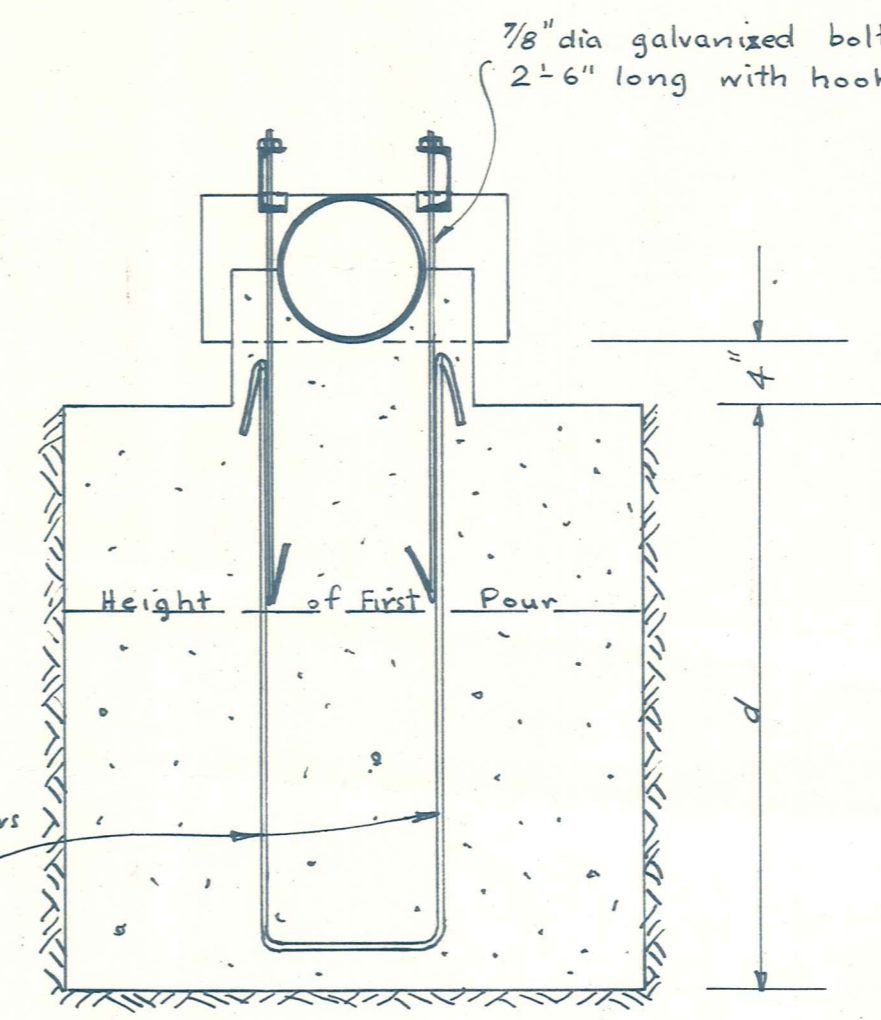
TYPE B

Smaller than type A. Suitable for medium pressures on Tee's Bends & Blank Ends



PLAN

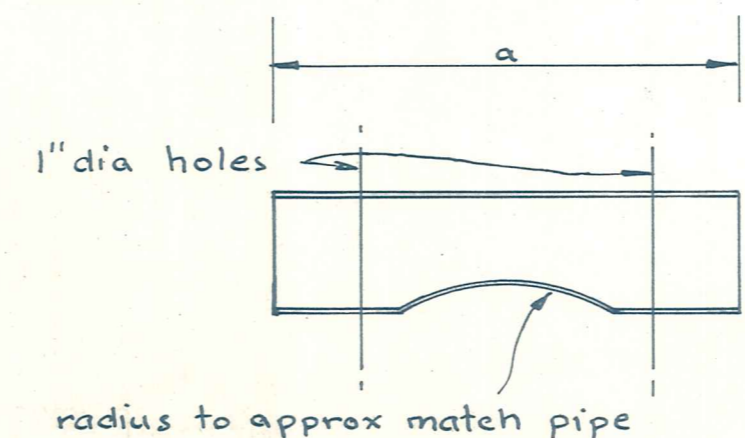
NOTE
Cast against trimmed ground. In loose ground box up & backfill by watering & ramming



ELEVATION

7/8" dia. starter bars with hooks

7/8" dia galvanized bolts 2'-6" long with hooks.



ELEVATION

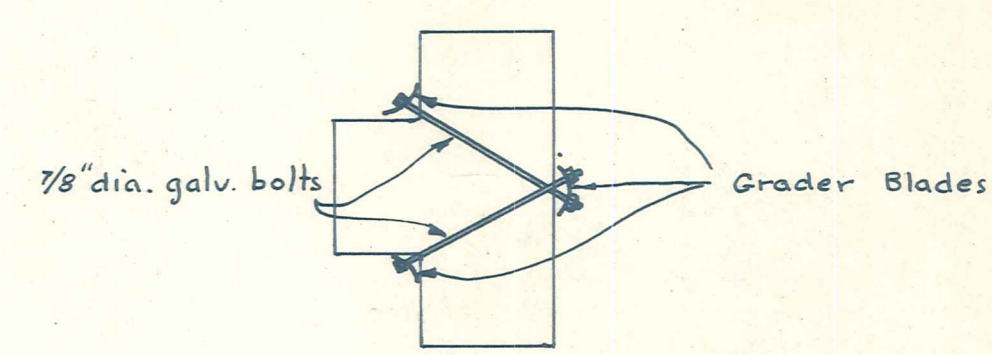
1" dia holes

4"x2" galvanized channel.

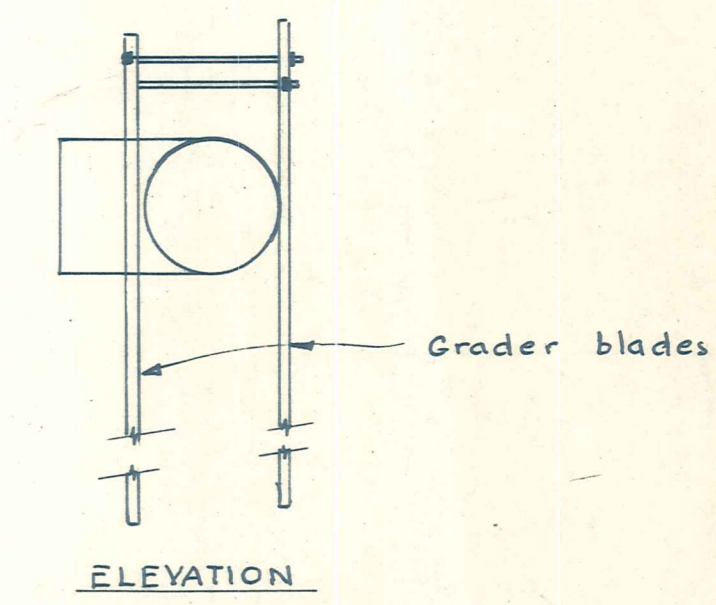
radius to approx match pipe

TYPE C

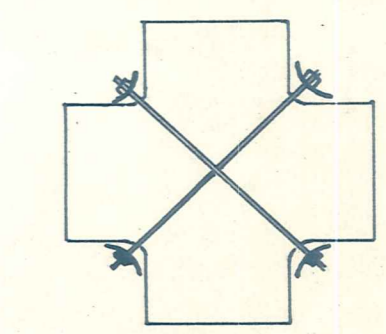
Suitable for high pressures on crosses and Tees.



PLAN OF TEE



ELEVATION



PLAN OF CROSS

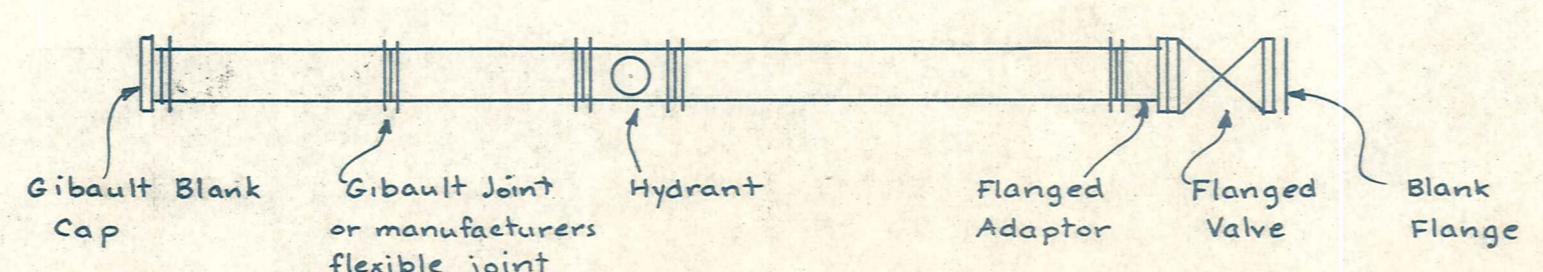
TYPE D

Using grader blades - suitable for low pressures only.

TABLE OF MINIMUM DIMENSIONS

Mark	Dia.	x	y	d	a
B 1	8"	3'-0"	3'-0"		
B 2	8"	2'-0"	2'-0"		

Either of types A, B or C may be used provided min. dimensions x & y are used & d = x + 6"
Grader blades may be used when x x y is less than 4 square ft.
OTHER DIMENSIONS SHOWN ARE APPROXIMATE ONLY



WATER RETICULATION DETAILS

AMENDMENTS					NAME	DATE
No.	By	Date	Description	Apprd.		
					G. J. Dillon	May 67

DUFFILL, WATTS & KING
CONSULTING CIVIL & STRUCTURAL ENGINEERS
DUNEDIN & INVERCARGILL N.Z.

File
JOB No.
L. Bk.
F. Bk.
Sheet of Sh